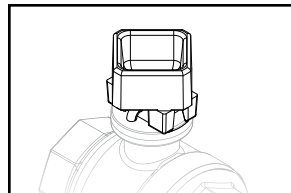
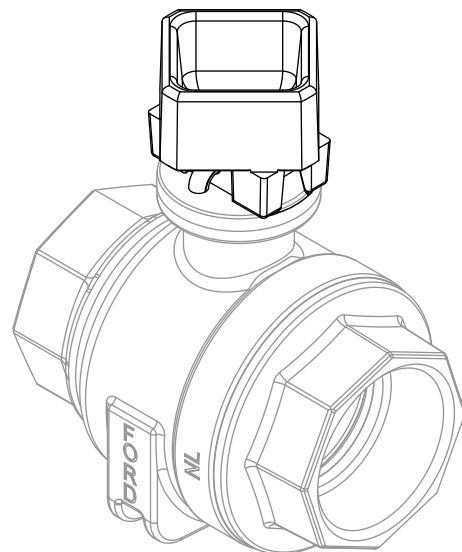
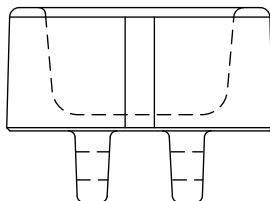
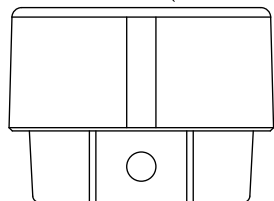
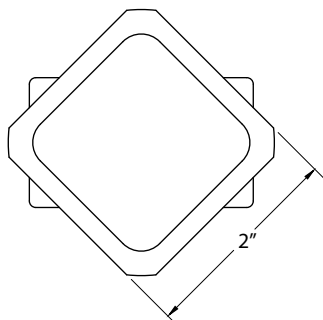


SUBMITTAL INFORMATION

Gate Valve Operating Nut - (QT67 style)



2" GATE VALVE OPERATING NUT FOR 1-1/4", 1-1/2" AND 2" BALL VALVES



SIZE	DESCRIPTION	APPROX. WT. LBS.	CATALOG NUMBER	✓ SUBMITTED ITEM(S)
2" x 2"	Operating nut for 1-1/4", 1-1/2" and 2" Ball Valves	1.0	QT67	

FEATURES

- All brass conforms to AWWA Standard C800 (ASTM B62 and ASTM B584, UNS NO C83600 - 85-5-5-5)
- A bronze cotter pin is supplied to secure operating nut to ball valve tee-head.

The Ford Meter Box Company considers the information in this submittal form to be correct at the time of publication. Item and option availability, including specifications, are subject to change without notice. Please verify that your product information is current.



The Ford Meter Box Company, Inc.

P.O. Box 443, Wabash, Indiana U.S.A. 46992-0443

Phone: 260-563-3171 / Fax: 800-826-3487

Overseas Fax: 260-563-0167

www.fordmeterbox.com

12/26/17

Submitted By: