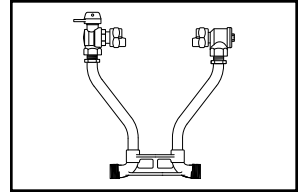


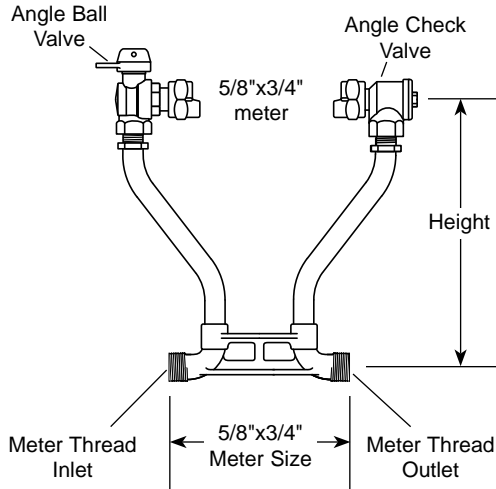
SUBMITTAL INFORMATION

40 Series Resetter - (VBH42-xxW-NL style)



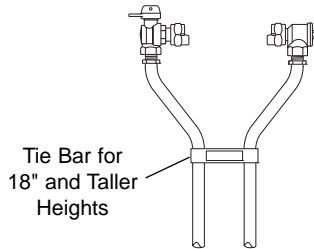
ANGLE BALL VALVE BY ANGLE CHECK VALVE (5/8" X 3/4" METER)

METER THREAD INLET AND OUTLET



Resetter Part Number

HEIGHT (INCHES)	APPROX. Wt. LBS.	CATALOG NUMBER	✓ SUBMITTED ITEM(S)
7	5.3	VBH42-7W-NL	
9	5.5	VBH42-9W-NL	
12	5.7	VBH42-12W-NL	
15	5.9	VBH42-15W-NL	
18	6.6	VBH42-18W-NL	
21	6.8	VBH42-21W-NL	
24	7.1	VBH42-24W-NL	
27	7.3	VBH42-27W-NL	
30	7.6	VBH42-30W-NL	



Meter Thread Size

INLET	OUTLET
3/4"	3/4"

FEATURES

- All brass components that come in contact with potable water conform to AWWA Standard C800 (UNS NO C89833)
- The product has the letters "NL" cast into the main body for proper identification
- Brass components that do not come in contact with potable water conform to AWWA Standard C800 (ASTM B-62 and ASTM B-584, UNS NO C83600 - 85-5-5-5)
- Saddle nuts hold the meter in place for tightening.
- Tie Bar is standard for 18" and taller resetter heights (40 Series).
- Conforms to AWWA C700 for Meter Threads.
- 13/16" Copper risers provide more flow capacity.
- All Ford Setters are assembled with lead-free solder.
- Copper conforms to ASTM B-75, Copper Alloy #122.

The Ford Meter Box Company considers the information in this submittal form to be correct at the time of publication. Item and option availability, including specifications, are subject to change without notice. Please verify that your product information is current.



The Ford Meter Box Company, Inc.

P.O. Box 443, Wabash, Indiana U.S.A. 46992-0443

Phone: 260-563-3171 / Fax: 800-826-3487

Overseas Fax: 260-563-0167

<http://www.fordmeterbox.com>

10/24/13

Submitted By: