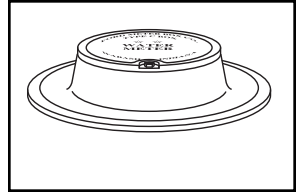
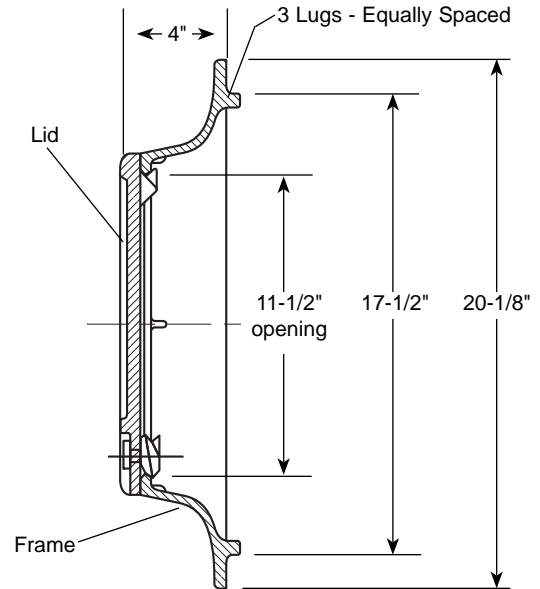
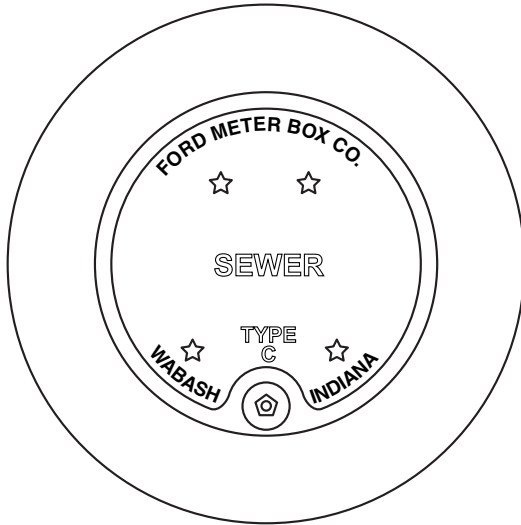


SUBMITTAL INFORMATION

Meter Box Covers - (C32-Sewer style)



11-1/2" OVERLAPPING SEWER LID FOR 18" TILE



| *LID SIZE | TILE I.D. | APPROX. Wt. LBS. | DESCRIPTION | CATALOG NUMBER | ✓ SUBMITTED ITEM(S) |
|-----------|-----------|------------------|-------------------------------------|----------------|---------------------|
| 11-1/2" | 18" | 29.0 | Cover with Locking Overlapping Lid | C32-SEWER | |
| | | | Cover with Lockless Overlapping Lid | C32-SEWER-LL | |

* Lid size indicates approximate pit access opening; actual lid diameter is approximately 1" larger.

FEATURES

- Standard pentagon bolt furnished with locking lids. Larger size is available. Add "-LB" to catalog number. For non-locking lid, add "-LL".
- Frame and lid are cast iron per ASTM A48, Class 25.
- Finish is black E-coating.

The Ford Meter Box Company considers the information in this submittal form to be correct at the time of publication. Item and option availability, including specifications, are subject to change without notice. Please verify that your product information is current.



The Ford Meter Box Company, Inc.

P.O. Box 443, Wabash, Indiana U.S.A. 46992-0443

Phone: 260-563-3171 / Fax: 800-826-3487

Overseas Fax: 260-563-0167

<http://www.fordmeterbox.com>

02/23/07

Submitted By: