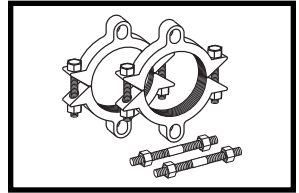
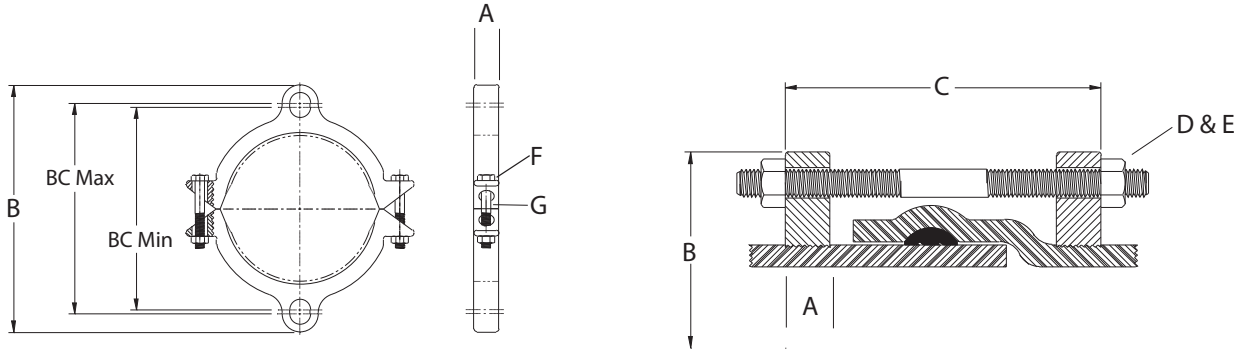


SUBMITTAL INFORMATION

Restraint Series - (UFR1390-S-x-I style)



SERIES 1390-S RESTRAINT DEVICE FOR PVC PIPE BELL JOINTS CAST SIZES 2" - 12"



NOM PIPE SIZE	PVC PIPE WITH STEEL PIPE OD STYLE 1390-S		A	B APPROX	C MAX	RESTRAINTS BOLTS / RODS		CLAMPING BOLTS		BC MAX	BC MIN	✓ SUBMITTED ITEMS
	OD	CATALOG No.				No. D	SIZE E	No. F	SIZE G			
2"	2.375	UFR1390-S-2-I	1-1/8"	6-3/8"	10"	2	5/8" x 12"	4	5/8" x 3-1/2"	4.76"	4.40"	
2-1/2"	2.88	UFR1390-S-2.5-I	1-1/8"	6-7/8"	10"	2	5/8" x 12"	4	5/8" x 3-1/2"	5.38"	5.14"	
3"	3.50	UFR1390-S-3-I	1-1/8"	7-11/16"	10"	2	5/8" x 12"	4	5/8" x 3-1/2"	6.18"	5.82"	
4"	4.50	UFR1390-S-4-I	1-1/8"	9-1/8"	15"	2	3/4" x 17"	4	5/8" x 3-1/2"	7.50"	7.14"	
6"	6.625	UFR1390-S-6-I	1-1/8"	11-1/8"	15"	2	3/4" x 17"	4	5/8" x 3-1/2"	9.50"	9.14"	
8"	8.625	UFR1390-S-8-I	1-1/4"	14-7/16"	15"	2	3/4" x 17"	4	3/4" x 4"	12.80"	11.76"	
10"	10.75	UFR1390-S-10-I	1-3/8"	16-5/8"	22"	4	3/4" x 24"	4	7/8" x 5"	15.00"	13.50"	
12"	12.75	UFR1390-S-12-I	1-3/8"	19-1/4"	22"	4	3/4" x 24"	4	7/8" x 5"	18.12"	16.12"	

FEATURES

- 2" - 12" sizes: Cast ductile iron per ASTM A536 grade 65-45-12
- Black e-coat epoxy coating with painted gray top coat for identification
- 360° contact and support of the pipe wall
- Ideal companion for push-on fittings
- Threaded rods (included) - High strength, low alloy steel per ANSI / AWWA C111 / A21.11
- Side clamping bolts and nuts - Grade 5, zinc-plated
- Rated at full-rated pressure of any class of PVC pipe, minimum 2:1 safety factor

The Ford Meter Box Company considers the information in this submittal form to be correct at the time of publication. Item and option availability, including specifications, are subject to change without notice. Please verify that your product information is current.



The Ford Meter Box Company, Inc.

P.O. Box 443, Wabash, Indiana U.S.A. 46992-0443
Phone: 260-563-3171 / Fax: 800-826-3487
Overseas Fax: 260-563-0167
www.fordmeterbox.com



07/18/17

Submitted By: