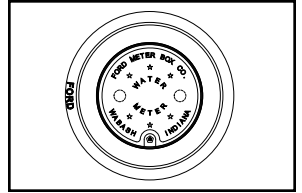
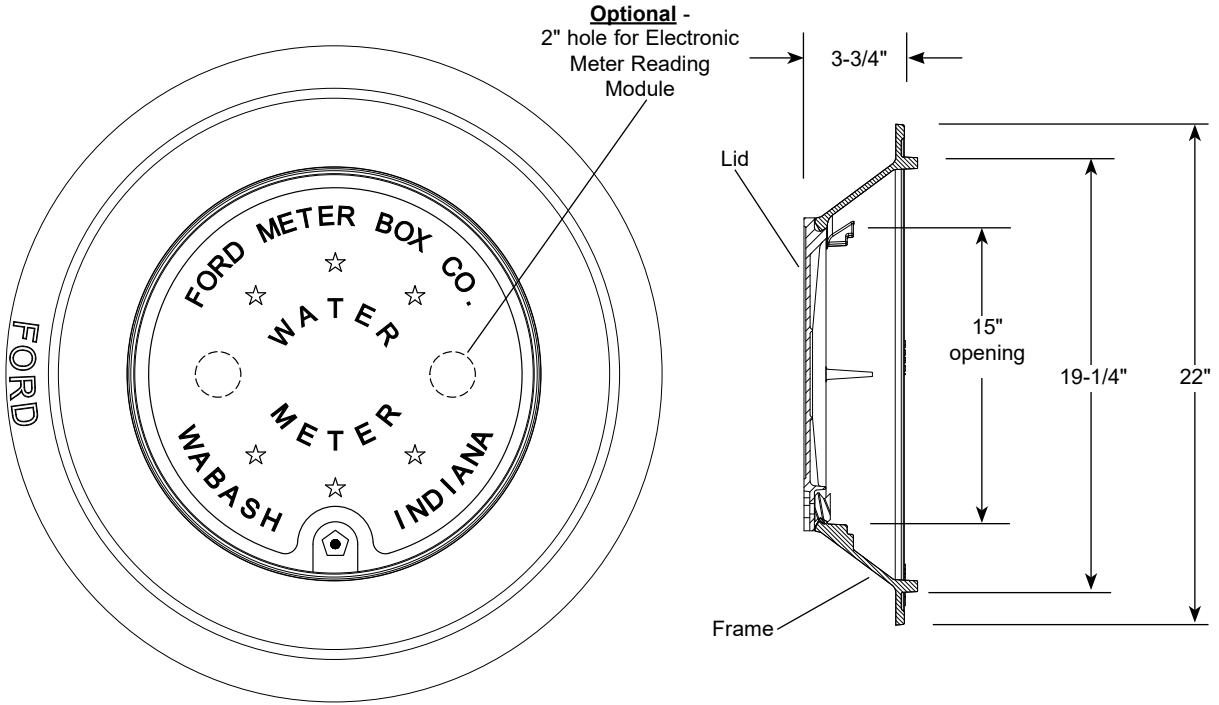


SUBMITTAL INFORMATION

Meter Box Covers - (C53 style)



15" OVERLAPPING LID FOR 20" TILE



*LID SIZE	TILE I.D.	APPROX. WT. LBS.	DESCRIPTION	CATALOG NUMBER	✓ SUBMITTED ITEM(S)
15"	20"	41.0	Cover with Locking Overlapping Lid	C53	
			Single Hole for Meter Reading Module	C53-T	
			Two Holes for Meter Reading Modules	C53-TT	

* Lid size indicates approximate pit access opening; actual lid diameter is approximately 1" larger

FEATURES

- Available with precast holes for electronic meter reading modules
Add to catalog number: "-T" for single hole, "-TT" for double hole
- Standard pentagon bolt furnished with locking lids
Larger size is available. Add "-LB" to catalog number
- Frame and lid are cast iron per ASTM A48, Class 25
- Finish is black Armorguard e-coat applied epoxy

The Ford Meter Box Company considers the information in this submittal form to be correct at the time of publication. Item and option availability, including specifications, are subject to change without notice. Please verify that your product information is current.



The Ford Meter Box Company, Inc.

P.O. Box 443, Wabash, Indiana U.S.A. 46992-0443

Phone: 260-563-3171 / Fax: 800-826-3487

Overseas Fax: 260-563-0167

www.fordmeterbox.com

06/04/18

Submitted By: