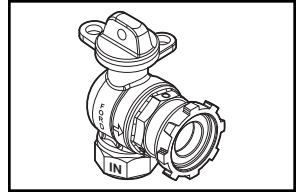
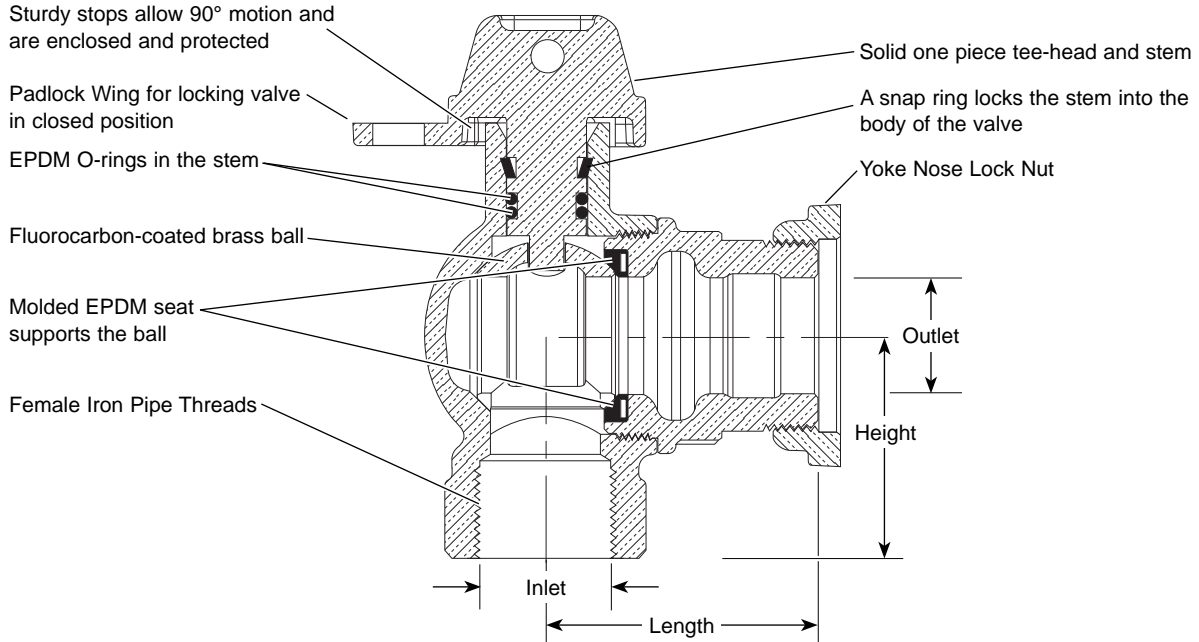


SUBMITTAL INFORMATION

Angle Ball Yoke Valves - (BA91-xxxW-NL style)



FEMALE IRON PIPE THREAD INLET BY METER YOKE NOSE OUTLET



VALVE SIZE	INLET SIZE	OUTLET SIZE	LENGTH	HEIGHT	APPROX. WT. LBS	PART NUMBER	✓ SUBMITTED ITEM(S)
3/4"	3/4"	5/8"	2-1/8"	1-39/64"	1.7	BA91-313W-NL	
3/4"	3/4"	5/8" x 3/4" & 3/4"	2-1/8"	1-39/64"	1.7	BA91-323W-NL	
1"	1"	1"	1-19/64"	1-29/32"	2.5	BA91-444W-NL	

FEATURES

- All brass that comes in contact with potable water conforms to AWWA Standard C800 (UNS NO C89833)
- The product has the letters "NL" cast into the main body for proper identification
- UL Classified to ANSI/NSF Standard 61 and Standard 61 Annex G (NSF/ANSI 372)
- Brass components that do not come in contact with potable water conform to AWWA Standard C800 (ASTM B-62 and ASTM B-584, UNS NO C83600 - 85-5-5-5)
- Ends are integral or secured with adhesive to prevent unintentional disassembly
- 300 PSI working pressure
- Padlock Wing for locking valve in closed position
- EPDM Rubber Yoke Nose gasket sold separately: GT-112 (5/8"), GT-118 (3/4") and GT-123 (1")

Note: Recommended flow from inlet to outlet

The Ford Meter Box Company considers the information in this submittal form to be correct at the time of publication. Item and option availability, including specifications, are subject to change without notice. Please verify that your product information is current.



The Ford Meter Box Company, Inc.

P.O. Box 443, Wabash, Indiana U.S.A. 46992-0443

Phone: 260-563-3171 / Fax: 800-826-3487

Overseas Fax: 260-563-0167

<http://www.fordmeterbox.com>

04/18/13

Submitted By: