



# COOPER TUB SPOUT INSTALLATION

## BEFORE YOU BEGIN

We recommend consulting a professional if you are unfamiliar with installing plumbing fixtures. Signature Hardware accepts no liability for any damage to the plumbing, floor, walls, tub, or for personal injury during installation.

Observe all local plumbing and building codes.

Unpack and inspect the item for shipping damage. If any damage is found, contact our Customer Relations team at 1-866-855-2284.

---

## GETTING STARTED

- Ensure that you have gathered all the required materials that are needed for the installation.
- For the following installation instructions, it is assumed that the finished wall has been completed and a valve is already installed.
- Before you begin, the main water supply to your home should be shut off.

## TOOLS AND MATERIALS:



Plumbers  
Tape



Tape Measure



Hex Wrench



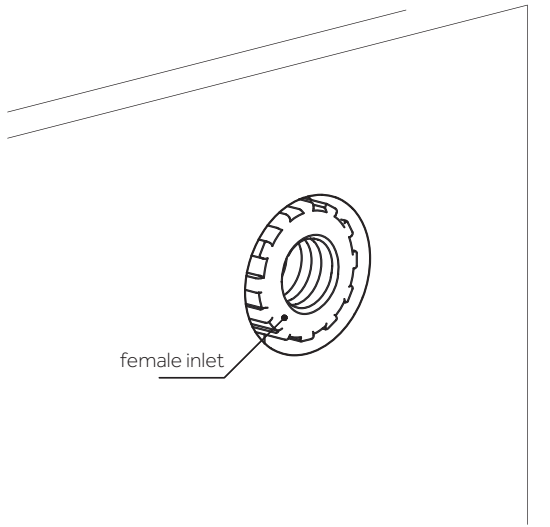
Adjustable  
Wrench



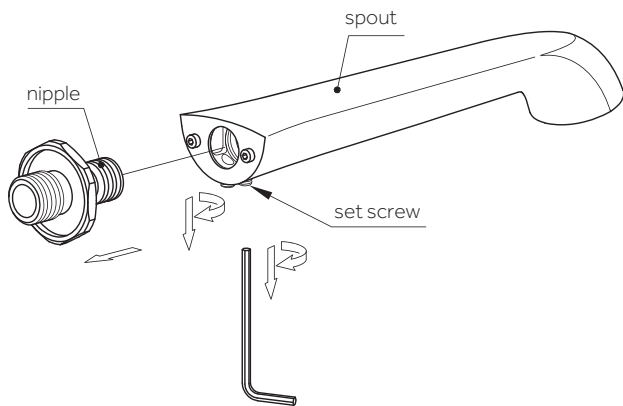
# COOPER TUB SPOUT INSTALLATION

## INSTALLATION

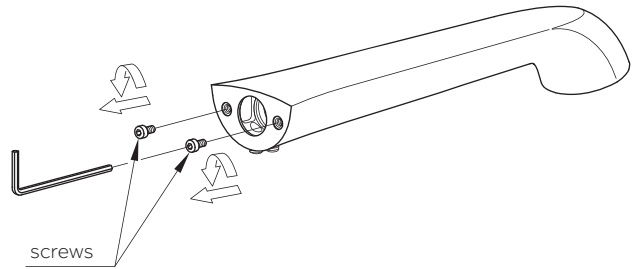
1. To prepare for installation, a female inlet should be installed at the desired installation location.



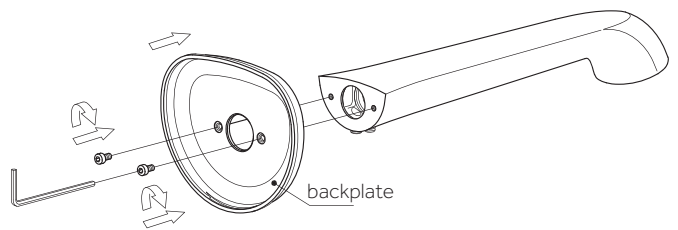
2. Loosen the set screw on the bottom of the spout and remove the nipple from the back of the tub spout, as shown.



3. Remove the two screws located on the back of the tub spout, as shown.



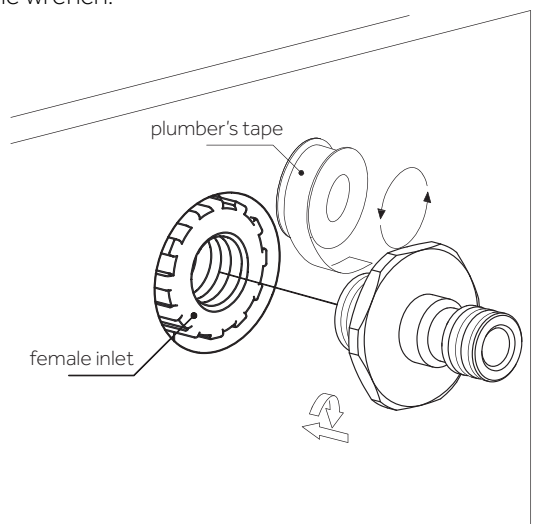
4. Secure the backplate to the back of the tub spout using the screws that were removed in step 3. Tighten firmly.



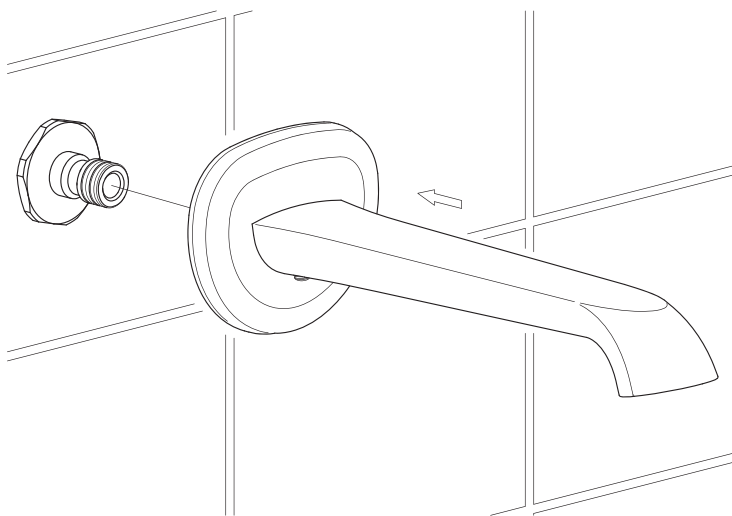


## COOPER TUB SPOUT INSTALLATION

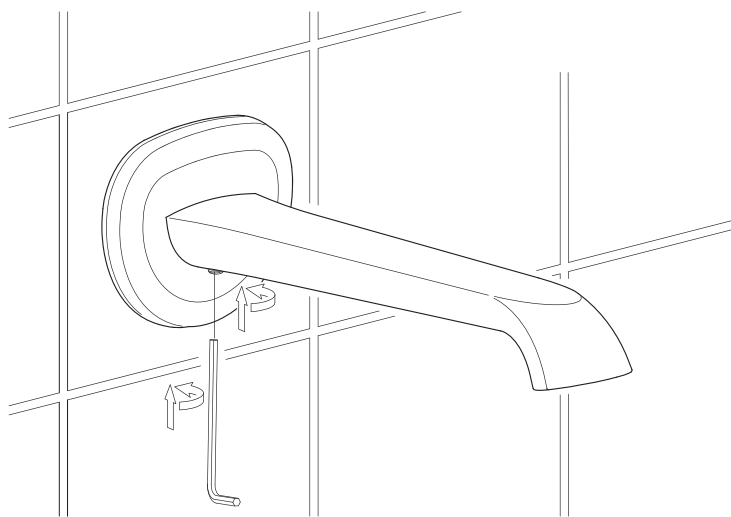
5. Apply plumber's tape or thread sealant to the threads of the nipple. Screw the nipple into the prepared female inlet. Tighten firmly using an adjustable wrench.



6. Connect the tub spout to the installed nipple. Push firmly into place. Ensure that the spout is aligned straight.



7. Once the spout is in place and properly aligned, secure the spout by tightening the set screw underneath, as shown.



8. Once installation is complete, turn the water supply on to ensure that the spout is properly functioning. Check for any leaks.

