



**Color:**  Brown

**UPC Code:** 078477815427

**Country Of Origin:** United States

**NEMA:**  
5-20R



## CR20

Duplex Receptacle Outlet, Commercial Specification Grade, Indented Face, 20 Amp, 125 Volt, Side Wire, NEMA 5-20R, 2-Pole, 3-Wire, Self-Grounding - Brown

Leviton's line of Heavy-Duty Specification Grade receptacles are designed and manufactured to withstand the most demanding environments. Available in a wide variety of configurations, including isolated ground, tamper-resistant, etc., these Commercial Grade devices are the electrical contractor's choice for use in hotels, schools, hospitals and commercial office buildings.

### Technical Information

AC Horsepower Ratings

**At Rated Voltage:** 1 HP

Electrical Specifications

**Amperage:** 20 A

**Current Limiting:** Full Rated Current

**Dielectric Voltage:** Withstands 2000V per UL498

**Grounding:** Self-Grounding

**Pole:** 2

**Temperature Rise:** Max 30C after 100 cycles OL at 150 percent rated current

**Voltage:** 125 VAC

**Wire:** 3

Environmental Specifications

**Flammability:** Rated V-2 per UL94

**Operating Temperature:** -40°C to 60°C

Material Specifications

**Body Material:** Thermoplastic

**Face Material:** Thermoplastic

**Ground Clips:** Brass

**Grounding Screw:** Steel 8-32

**Line Contacts:** Brass .031 Thick

**Strap Material:** Zinc-Plated Steel

**Terminal Screws:** Steel 8-32

Mechanical Specifications

**Product ID:** Ratings are permanently marked on device

**Terminal Accom.:** 14-10 AWG

**Terminal ID:** Brass-Hot, Green-Ground, Silver-Neutral

**Termination:** Side Wire

Product Features

**Color:** Brown

**Device Type:** Duplex Receptacle Outlet

**Feature 4:** Indented Face

**Grade:** Commercial Specification Grade

**NEMA:** 5-20R

Standards and Certifications

**ANSI:** C-73

**CSA C22.2 No. 42:** File 152105

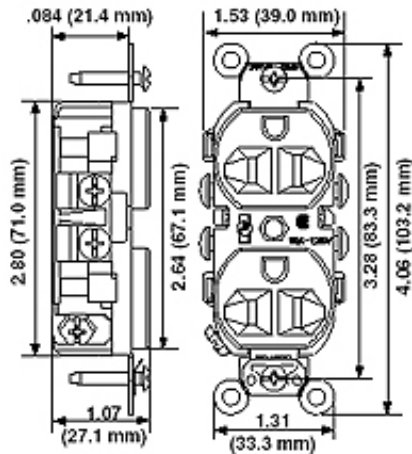
**NEMA:** WD-1 & WD-6

**NOM:** 057

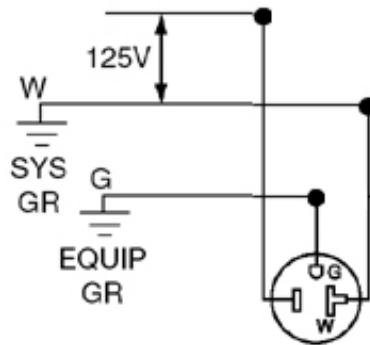
**UL498:** File E13399

**Warranty:** 10 Year Limited

### Dimensional Diagram



### Wiring Diagram



5-20R

### SPECIFICATION SUBMITTAL

JOB NAME: <input type="text"/>	CATALOG NUMBERS: <input type="text"/>	
JOB NUMBER: <input type="text"/>	<input type="text"/>	<input type="text"/>

#### Leviton Manufacturing Co., Inc.

201 North Service Road, Melville, NY 11747

Telephone: +1-800-323-8920 · FAX: +1-800-832-9538 · Tech Line (8:30AM-7:30PM E.S.T. Monday-Friday):

+1-800-824-3005

#### Leviton Manufacturing of Canada, Ltd.

165 Hymus Boulevard, Pointe Claire, Quebec H9R 1E9 · Telephone: +1-800-469-7890 ·

FAX: +1-800-824-3005 · [www.leviton.com/canada](http://www.leviton.com/canada)

#### Leviton S. de R.L. de C.V.

Lago Tana 43, Mexico DF, Mexico CP 11290 · Tel.: (+52)55-5082-1040 · FAX: (+52)5386-

1797 · [www.leviton.com.mx](http://www.leviton.com.mx)

Visit our Website at: [www.leviton.com](http://www.leviton.com)

© 2018 Leviton Manufacturing Co., Inc. All Rights Reserved. Subject to change without notice.

#### Leviton has a global presence.

If you would like to know where your local Leviton office is located please go to:

[www.leviton.com/international/contacts/](http://www.leviton.com/international/contacts/)

