



T5825-W

Ultrasonically welded, 20A Tamper-Resistant, Decora duplex receptacle/outlet. Residential grade, NEMA 5-20R, side wired only, UL, CSA and NOM

Leviton's Decora duplex receptacles are designed for a chic appearance, quick installation and durability. The impact-resistant thermoplastic design allows for a long service life and high performance in homes, offices, schools and other settings. It also coordinates beautifully with Leviton's complete line of Decora devices.

Technical Information

Product Features

Amperage: 20 A

Color: White

Feature: Tamper-Resistant

NEMA: 5-20R

Product Type: Decora

Ratings: 20A-125V

Type: Duplex Receptacle

Warranty: 2-Year Limited

Color: White

UPC Code: 078477450352

Country Of Origin: China

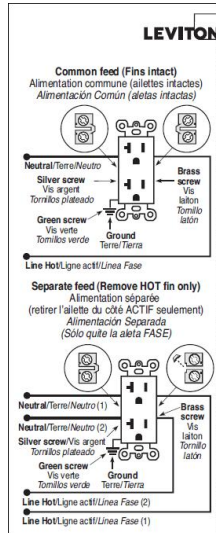
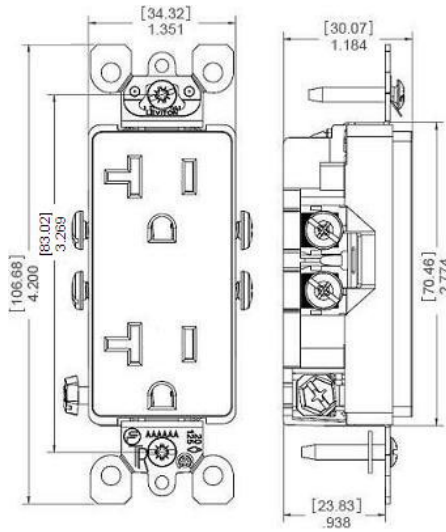
NEMA:
5-20R



Patents*

US8242362

*This list is provided for patent marking purposes only. A good faith effort is made to maintain the accuracy and completeness of this list. No legal inference should be drawn from the omission of a patent from this list.



WARNING: TURN OFF POWER, TEST POWER IS OFF. TO BE INSTALLED AND/OR USED IN ACCORDANCE WITH APPROPRIATE ELECTRICAL CODES AND REGULATIONS.

To Side Wire: Terminal screws accept up to #10 AWG copper or copper clad wire. Remove wire insulation approx. 3/4" (1.9 cm). Connect wires per wiring diagram as follows: Loop wires clockwise 3/4 turn around terminal screws. Firmly tighten screws over wire loops.

AVERTISSEMENT : VÉRIFIER QUE L'ALIMENTATION SOIT BIEN COUPEE. INSTALLER ET UTILISER CONFORMEMENT AUX CODES DE L'ELECTRICITE EN VIGUEUR. COUPER L'ALIMENTATION.

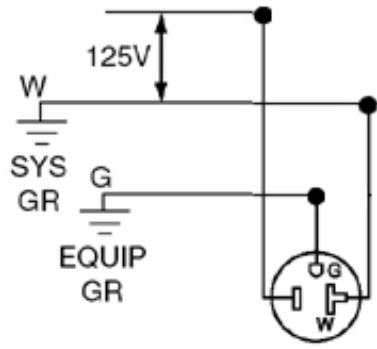
CÂBLAGE LATÉRAL : Les bornes acceptent les fils de cuivre ou plaqués cuivre d'un calibre pouvant atteindre 10 AWG. Dénuder les fils sur un peu moins de 2 cm. Raccorder les fils conformément au SCHEMA DE CÂBLAGE : enrouler les fils sur les bornes de trois quarts de tour vers la droite. Serrer fermement les vis sur les fils.

ADVERTENCIA: DESCONECTE LA CORRIENTE PRUEBE QUE LA CORRIENTE ESTA DES-CONECTADA. PARA INSTALARSE Y/O USARSE DE ACUERDO CON LOS CODIGOS ELECTRICOS Y NORMAS APROPIADAS.

Para Cableado Lateral: Los tornillos terminales aceptan cable de cobre o revestido de cobre hasta #10 AWG. Quite 1.9 cm. (3/4") de aislante. Conecte los cables según el diagrama de cableado: Entrosque los alambres 3/4 de vuelta hacia la derecha alrededor de los tornillos terminales. Apriete los tornillos sobre el alambre entroscado.

© 2009 Leviton Mfg. Co., Inc. PK-84449-10-02-2A

Wiring Diagram



5-20R

SPECIFICATION SUBMITTAL

JOB NAME:	CATALOG NUMBERS:	
<input type="text"/>	<input type="text"/>	<input type="text"/>
JOB NUMBER:	<input type="text"/>	<input type="text"/>

Leviton Manufacturing Co., Inc.

201 North Service Road, Melville, NY 11747

Telephone: +1-800-323-8920 · FAX: +1-800-832-9538 · Tech Line (8:30AM-7:30PM E.S.T. Monday-Friday):
+1-800-824-3005

Leviton Manufacturing of Canada, Ltd.

165 Hymus Boulevard, Pointe Claire, Quebec H9R 1E9 · Telephone: +1-800-469-7890 ·

FAX: +1-800-824-3005 · www.leviton.com/canada

Leviton S. de R.L. de C.V.

Lago Tana 43, Mexico DF, Mexico CP 11290 · Tel.: (+52)55-5082-1040 · FAX: (+52)5386-

1797 · www.leviton.com.mx

Visit our Website at: www.leviton.com

© 2018 Leviton Manufacturing Co., Inc. All Rights Reserved. Subject to change without notice.

Leviton has a global presence.

If you would like to know where your local Leviton office is located please go to:

www.leviton.com/international/contacts/

