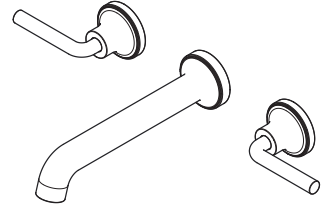


8" Wallmount Lavatory Faucet

- LG49-TNT2C Finish(C)
- LG49-TNT2K Finish(K)
- LG49-TNT2B Finish(B)
- LG49-TNT2B Finish(BG)



Specifications

- Trim Only
- Pforever Seal

Features

- 1.2 GPM Flow Rate
- 3-Hole Installation
- All Metal Construction
- Does Not Include Drain
- Grid Strainer Available, Order 973-103 or 973-104 Separately
- Optional Crosshandle Available, Order HHL-049-TNT* Separately
- Must Order Valve LOW8-0200 Separately
- Laminar Water Flow
- Pforever Seal Ceramic Disc Valves
- Pforever Warranty®

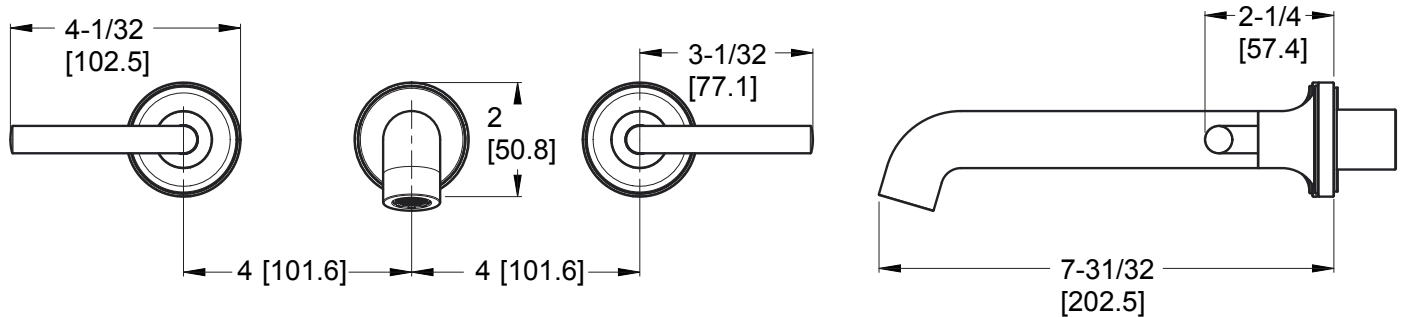
Code Compliance

Pfister products are designed and manufactured in compliance with the following standards and codes:

- IAPMO Certified
- CSA B125 Certified
- ASME A112.18.1
- NSF 61/9 & 372
- Cal Green Compliant
- CEC Compliant
- EPA WaterSense Certification 1.2 gpm, 4.5L/Min
- ADA Compliant-ANSI A117.1 (Lever handles only)



Dimensions



Ø1 Min to Ø1-1/2 Max. Deck Hole Openings