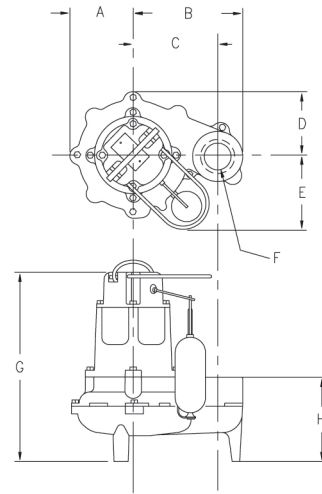
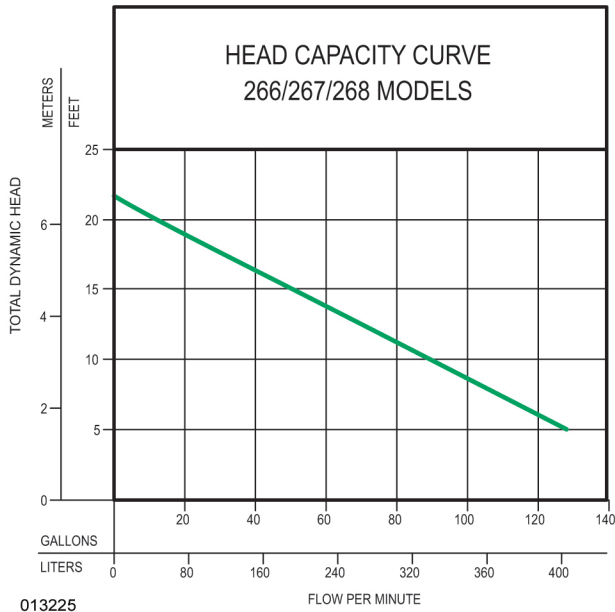


260 Series



SK375

MODEL	A	B	C	D	E	F	G	H
266	4-3/4	8-5/16	6-13/32	4-3/4	6-15/32	2" NPT	14-1/32	6-3/32
267	4-3/4	8-5/16	6-13/32	4-3/4	6-15/32	2" NPT	14-9/32	6-11/32
268	4-3/4	8-13/32	6-13/32	4-3/4	6-15/32	2 7/32" NPT	14-1/32	8-13/32

Model

Model Number	Seal	Mode	Volts	Phase	Amps	HP	Hz	Lbs	Kg
M266/BN266	Single	Auto	115	1	10.4	1/2	60	41	19
N266	Single	Non	115	1	10.4	1/2	60	41	19
D266/BE266	Single	Auto	230	1	5.5	1/2	60	41	19
E266	Single	Non	230	1	5.5	1/2	60	41	19
H266	Single	Auto	200-208	1	6.2	1/2	60	41	19
I266	Single	Non	200-208	1	6.2	1/2	60	41	19
J266	Single	Non	200-208	3	2.6	1/2	60	41	19
F266	Single	Non	230	3	2.6	1/2	60	40	18
G266	Single	Non	460	3	1.5	1/2	60	40	18
M267/BN267	Single	Auto	115	1	10.4	1/2	60	47.5	22
N267	Single	Non	115	1	10.4	1/2	60	47.5	22
D267/BE267	Single	Auto	230	1	5.5	1/2	60	47.5	22
E267	Single	Non	230	1	5.5	1/2	60	47.5	22
H267	Single	Auto	200-208	1	6.2	1/2	60	47.5	22
I267	Single	Non	200-208	1	6.2	1/2	60	47.5	22
J267	Single	Non	200-208	3	2.6	1/2	60	47.5	22
F267	Single	Non	230	3	2.6	1/2	60	47.5	22
G267	Single	Non	460	3	1.5	1/2	60	47.5	22
M268/BN268	Single	Auto	115	1	10.4	1/2	60	51	23
N268	Single	Non	115	1	10.4	1/2	60	51	23
D268/BE268	Single	Auto	230	1	5.5	1/2	60	51	23
E268	Single	Non	230	1	5.5	1/2	60	51	23
H268	Single	Auto	200-208	1	6.2	1/2	60	51	23
I268	Single	Non	200-208	1	6.2	1/2	60	51	23
J268	Single	Non	200-208	3	2.6	1/2	60	51	23
F268	Single	Non	230	3	2.6	1/2	60	51	23
G268	Single	Non	460	3	1.5	1/2	60	51	23

Model 266 features a plastic base. Models 267 and 268 feature a cast iron base. Model 267 is available with a cast iron impeller, which is standard on all 3 phase units. Model 268 includes a 2" NPT female and 3" NPT male discharge. BN and BE models include a variable level pump switch.

Additional cord lengths are available in 15' (5 m), 35' (11 m) and 50' (15 m).

Your Peace of Mind is Our Top Priority®
 3649 Cane Run Rd | Louisville, KY 40211 USA
 1-800-928-7867 | Fax: +1 502-774-3624
www.zoeller.com