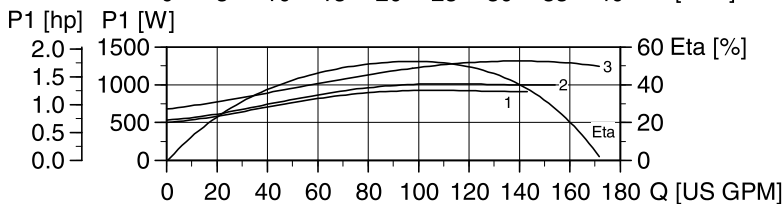
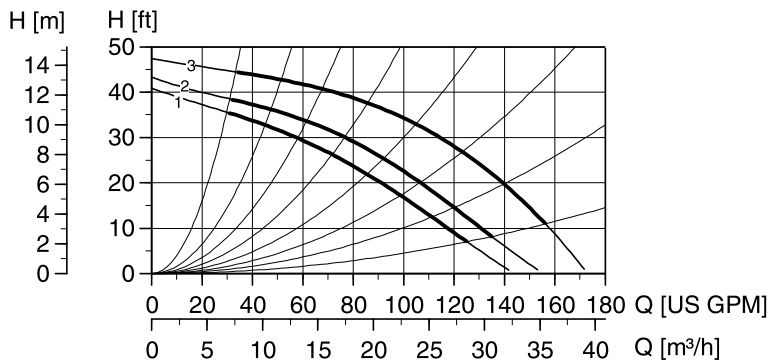


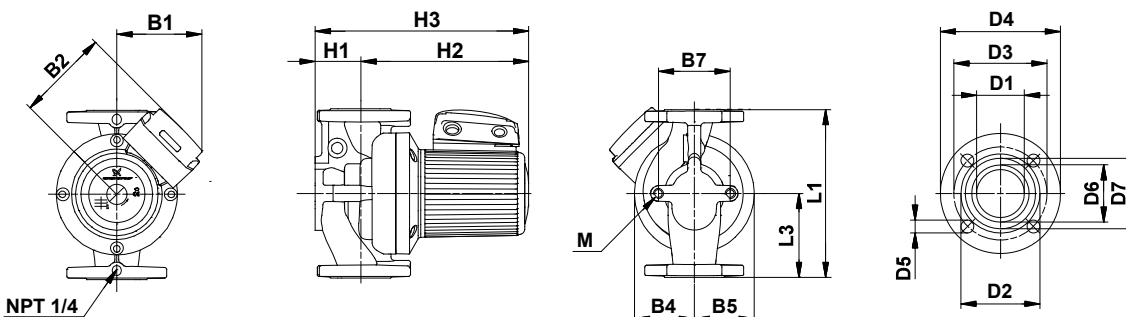
UPS 50-160/2, 3 ph, 208-230 V, 460 V, 575 ★, 60 Hz



TM00 9504 0307

- Flow range: 20 - 170 gpm
- Head range: 1 - 46ft
- Motor: 2-pole 1.50 Hp
- Max. liquid temp (Open): +140 °F
- Max. liquid temp.: +248 °F
- Min. liquid temp.: +32 °F
- Max. system pressure: 145 psi
- Net wt: 53.6 lbs (24.3 kg)
- Gross wt.: 65.9 lbs (29.9 kg)
- Shipping volume: 2.90 ft³ (0.082 m³)
- Net wt. bronze: 68.3 lbs (31 kg)
- Gross wt. bronze: 80.7 lbs (36.6 kg)
- Shipping volume bronze: 2.90 ft³ (0.082 m³)

Note: ETA is calculated as wire-to-water efficiency.



TM02 0730 5100

Dimensions

Model	L1	L3	B1	B2	B4	B5	B7	H1	H2	H3	D1	D2	D3	D4	D5	D6	D7	M	
UPS 50-160/2	[in]	14.00	7.00	5.75	6.68	3.94	3.94	4.75	3.00	10.81	13.78	2.13	3.44	4.05	5.25	0.55	2.50	3.06	
	[mm]	356	178	146	170	100	100	121	76	275	350	54	87	103	133	14	64	78	M12

Product numbers

Model type	Product number		Voltage [V]
	Cast Iron	Bronze	
UPS 50-160/2 (3 ph)	96402860	96402866	208-230
	96402861	96402868	460
	96402862	96402870	575 ★

Connections

Flange size	Flange type
2" non ANSI 4 bolt w/ (4) 0.56" dia. holes	GF 50

Electrical data

Speed	Max amps [A]			P Max [Watts]	Start amps [A]		
	208-230V	460V	575V ★		208-230V	460V	575V ★
3	4.00	2.00	1.60	1300	22.80	11.40	9.12
2	3.00	1.50	1.20	1000	17.10	8.55	6.84
1	2.75	▲	▲	950	15.68	▲	▲

▲ All 3-phase, 460V and 575V pumps are 2-speed only.
★ Canada only.