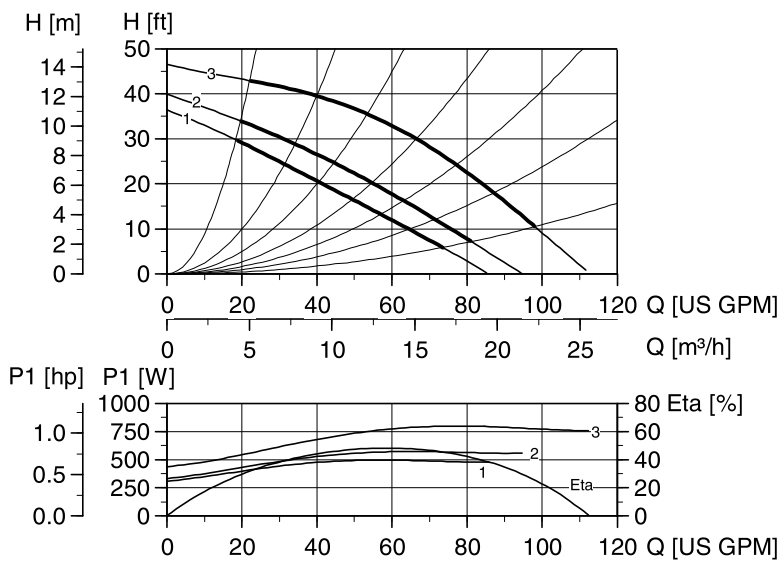


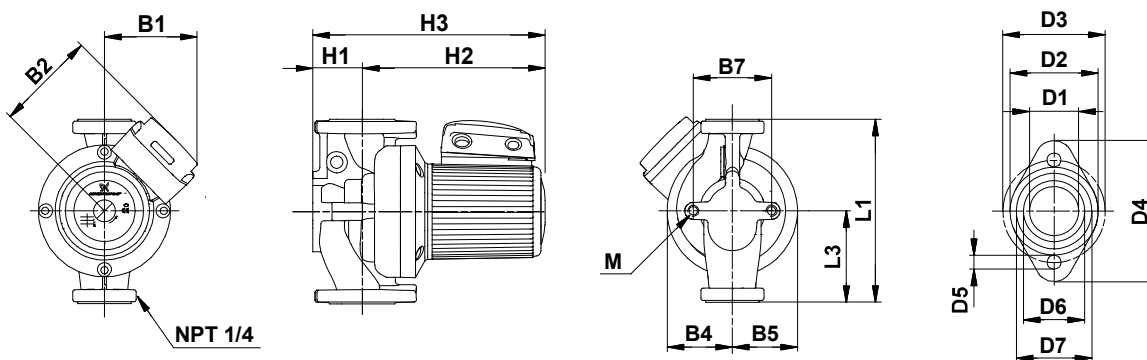
**UPS 40-160/2, 3 ph, 208-230 V, 460 V, 575 V★, 60 Hz**



Flow range: 13 - 110 gpm  
 Head range: 1 - 46 ft  
 Motor: 2-pole 0.75 Hp  
 Max. liquid temp (Open): +140 °F  
 Max. liquid temp.: +248 °F  
 Min. liquid temp.: +32 °F  
 Max. system pressure: 145 psi  
 Net wt: 43.2 lbs (19.6 kg)  
 Gross wt.: 55.6 lbs (25.2 kg)  
 Shipping volume: 2.90 ft<sup>3</sup> (0.082 m<sup>3</sup>)  
 Net wt. bronze: 47.6 lbs (21.6 kg)  
 Gross wt. bronze: 60 lbs (27.2 kg)  
 Shipping volume bronze: 2.90 ft<sup>3</sup> (0.082 m<sup>3</sup>)

TM00 9499 0307

Note: ETA is calculated as wire-to-water efficiency.



TM02 0729 5100

**Dimensions**

Model	L1	L3	B1	B2	B4	B5	B7	H1	H2	H3	D1	D2	D3	D4	D5	D6	D7	M	
UPS 40-160/2	[in]	11.50	5.75	5.75	6.68	3.94	3.94	3.19	2.31	9.00	11.69	1.69	2.88	3.42	5.00	0.50	2.06	2.56	
	[mm]	292	146	146	170	100	100	81	59	229	297	43	73	87	127	13	52	65	M12

**Product numbers**

Model type	Product number		Voltage [V]
	Cast Iron	Bronze	
UPS 40-160/2 (3 ph)	96402784	96402789	208-230
	96402785	96402790	460
	96402786	96402791	575★

**Connections**

Flange size	Flange type
1.5" non ANSI 2 bolt w/ (2) 0.5" dia. holes	GF 40/43

**Electrical data**

Speed	Max amps [A]			P Max [Watts]	Start amps [A]		
	208-230V	460V	575V★		208-230V	460V	575V★
3	2.50	1.25	1.00	800	12.40	6.20	4.96
2	1.75	0.88	0.70	570	8.68	4.36	3.50
1	1.55	▲	▲	500	7.69	▲	▲

▲ All 3-phase, 460V and 575V pumps are 2-speed only.  
 ★ Canada only.