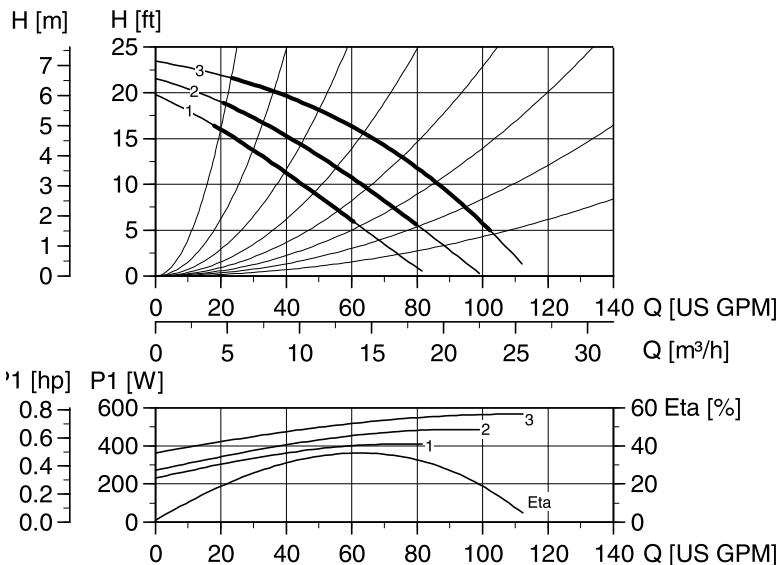


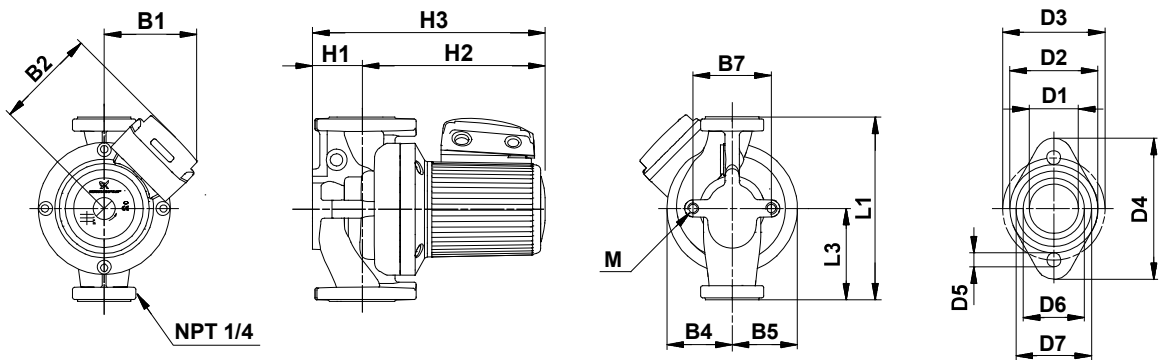
**UPS 40-80/4, 1 ph, 115 V, 230 V, 60 Hz**



TM00 9514 2297

- Flow range: 13 - 120 gpm
- Head range: 1 - 25 ft
- Motor: 4-pole 0.50 Hp
- Max. liquid temp (Open): +140 °F
- Max. liquid temp.: +248 °F
- Min. liquid temp.: +32 °F
- Max. system pressure: 145 psi
- Net wt: 57.8 lbs (26.2 kg)
- Gross wt.: 70.1 lbs (31.8 kg)
- Shipping volume: 2.90 ft³ (0.082 m³)
- Net wt. bronze: 62.2 lbs (28.2 kg)
- Gross wt. bronze: 74.5 lbs (33.8 kg)
- Shipping volume bronze: 2.90 ft³ (0.082 m³)

Note: ETA is calculated as wire-to-water efficiency.



TM02 0729 5100

**Dimensions**

Model	L1	L3	B1	B2	B4	B5	B7	H1	H2	H3	D1	D2	D3	D4	D5	D6	D7	M	
UPS 40-80/4	[in]	13.50	6.75	5.75	6.68	3.94	3.94	4.75	3.00	9.00	12.01	1.69	2.88	3.42	5.00	0.50	2.06	2.56	
	[mm]	343	171	146	170	100	100	121	76	229	305	43	73	87	127	13	52	65	M12

**Product numbers**

Model type	Product number		Voltage [V]
	Cast Iron	Bronze	
UPS 40-80/4	96404948	96404953	115
(1 ph)	96404949	96404954	230

**Connections**

Flange size	Flange type
1.50" non ANSI 2 bolt w/ (2) 1/2" dia. holes	GF 40/43

**Electrical data**

Speed	Max amps [A]		P Max [Watts]	Start amps [A]	
	115V	230V		115V	230V
3	5.50	2.75	565	9.50	4.70
2	5.15	2.60	485	8.90	4.44
1	4.30	2.15	410	7.43	3.67