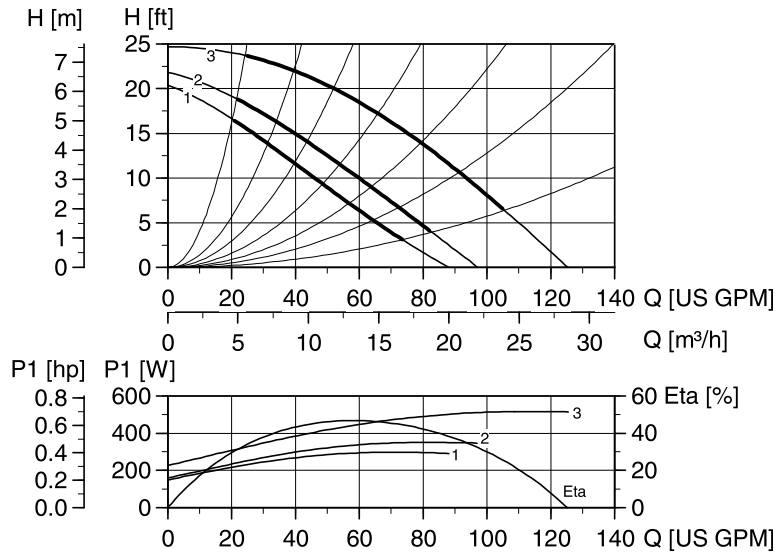


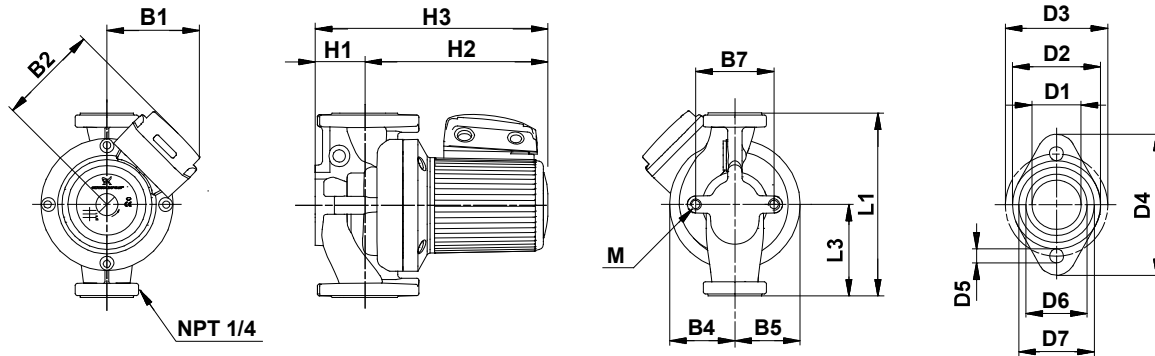
UPS 40-80/4, 3 ph, 208-230 V, 460 V, 575 V★, 60 Hz



TM00 9498 0307

- Flow range: 13 - 120 gpm
- Head range: 1 - 25 ft
- Motor: 4-pole 0.50 Hp
- Max. liquid temp (Open): +140 °F
- Max. liquid temp.: +248 °F
- Min. liquid temp.: +32 °F
- Max. system pressure: 145 psi
- Net wt: 47.6 lbs (21.6 kg)
- Gross wt.: 60.0 lbs (27.2 kg)
- Shipping volume: 2.90 ft³ (0.082 m³)
- Net wt. bronze: 52.0 lbs (23.6 kg)
- Gross wt. bronze: 64.4 lbs (29.2 kg)
- Shipping volume bronze: 2.90 ft³ (0.082 m³)

Note: ETA is calculated as wire-to-water efficiency.



TM02 0729 5100

Dimensions

Model	L1	L3	B1	B2	B4	B5	B7	H1	H2	H3	D1	D2	D3	D4	D5	D6	D7	M	
UPS 40-80/4	[in]	13.50	6.75	5.75	6.68	3.94	3.94	4.75	3.00	9.00	12.01	1.69	2.88	3.42	5.00	0.50	2.06	2.56	
	[mm]	343	171	146	170	100	100	121	76	229	305	43	73	87	127	13	52	65	M12

Product numbers

Model type	Product number		Voltage [V]
	Cast Iron	Bronze	
UPS 40-80/4 (3 ph)	96402750	96402755	208-230
	96402751	96402756	460
	96402752	96402757	575★

Connections

Flange size	Flange type
1.5" non ANSI 2 bolt w/ (2) 0.5" dia. holes	GF 40/43

Electrical data

Speed	Max amps [A]			P Max [Watts]	Start amps [A]		
	208-230V	460V	575V★		208-230V	460V	575V★
3	1.98	0.99	0.78	550	7.10	4.70	3.76
2	1.20	0.60	0.48	370	4.30	4.44	3.55
1	1.00	▲	▲	305	3.59	▲	▲

▲ All 3-phase, 460V and 575V pumps are 2-speed only.
★ Canada only.