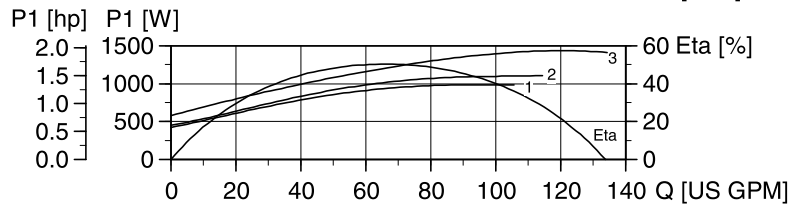
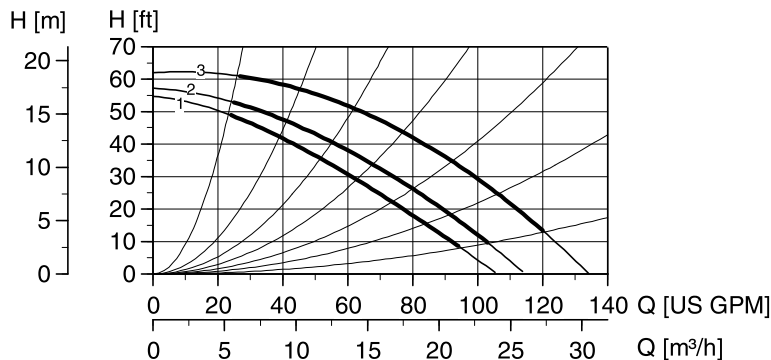


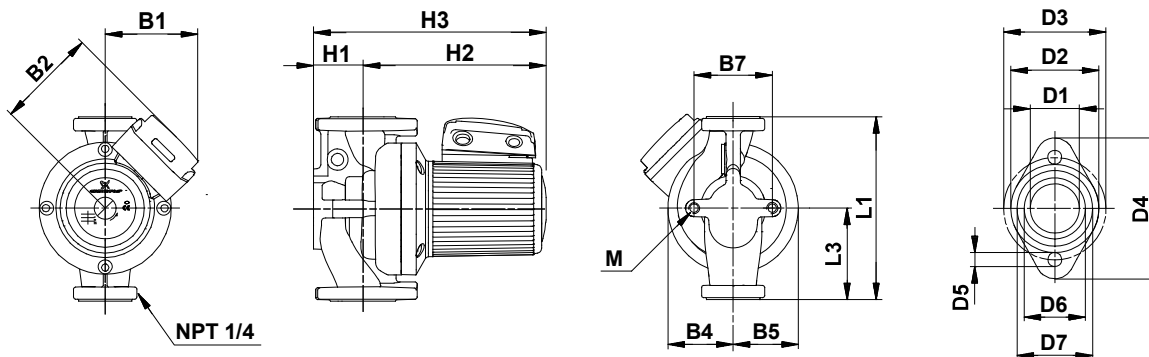
UPS 40-240/2, 3 ph, 208-230 V, 460 V, 575 V★, 60 Hz



TM00 9600 0307

Flow range:	13 - 130 gpm
Head range:	1 - 62 ft
Motor:	2-pole 1.5 Hp
Max. liquid temp (Open):	+140 °F
Max. liquid temp.:	+248 °F
Min. liquid temp.:	+32 °F
Max. system pressure:	145 psi
Net wt:	47.2 lbs (21.4 kg)
Gross wt.:	59.5 lbs (27.0 kg)
Shipping volume:	2.90 ft ³ (0.082 m ³)
Net wt. bronze:	51.6 lbs (23.4 kg)
Gross wt. bronze:	63.9 lbs (29.0 kg)
Shipping volume bronze:	2.90 ft ³ (0.082 m ³)

Note: ETA is calculated as wire-to-water efficiency.



TM02 0729 5100

Dimensions

Model	L1	L3	B1	B2	B4	B5	B7	H1	H2	H3	D1	D2	D3	D4	D5	D6	D7	M	
UPS 40-240/2	[in]	13.50	3.75	5.75	6.68	4.00	4.00	3.19	2.69	11.06	13.96	1.69	2.88	3.42	5.00	0.50	2.06	2.56	
	[mm]	343	95	146	170	102	102	81	68	281	355	43	73	87	127	13	52	65	M12

Product numbers

Model type	Product number		Voltage [V]
	Cast Iron	Bronze	
UPS 40-240/2 (3 ph)	96402798	96402805	208-230
	96402799	96402807	460
	96402801	96402809	575★

Connections

Flange size	Flange type
1.5" non ANSI 2 bolt w/ (2) 0.5" dia. holes	GF 40/43

Electrical data

Speed	Max amps [A]			P Max [Watts]	Start amps [A]		
	208-230V	460V	575V★		208-230V	460V	575V★
3	4.50	2.25	1.80	1440	23.80	11.60	9.28
2	3.25	1.63	1.30	1100	17.19	8.40	6.72
1	2.95	▲	▲	990	15.6	▲	▲

▲ All 3-phase, 460V and 575V pumps are 2-speed only.
★ Canada only.