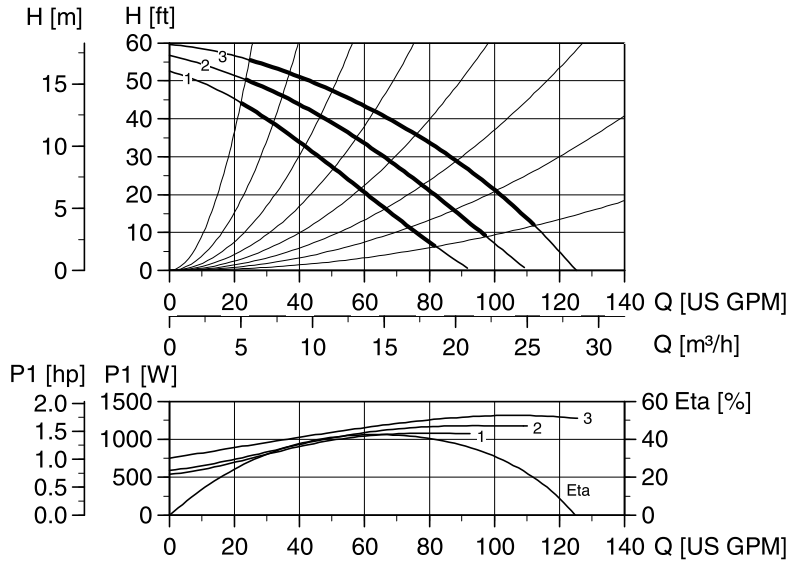


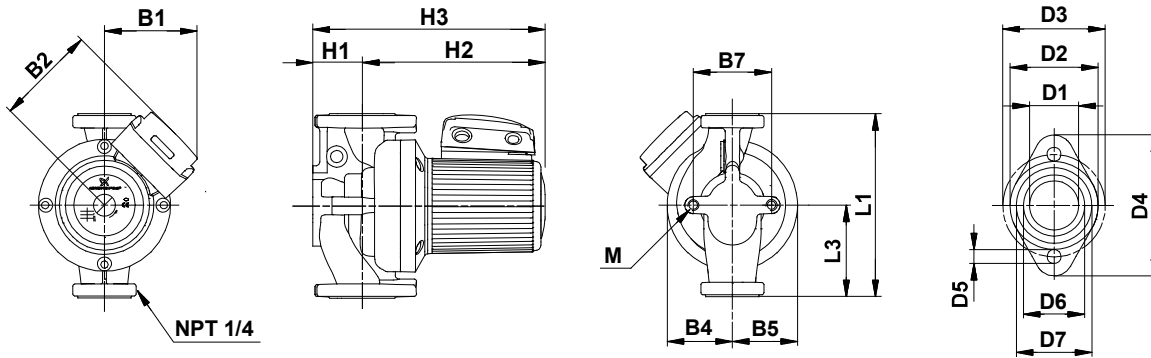
UPS 40-240/2, 1 ph, 230 V, 60 Hz



TM00 9517 0307

- Flow range: 13 - 130 gpm
- Head range: 1 - 62 ft
- Motor: 2-pole 1.5 Hp
- Max. liquid temp (Open): +140 °F
- Max. liquid temp.: +248 °F
- Min. liquid temp.: +32 °F
- Max. system pressure: 145 psi
- Net wt: 54.0 lbs (24.5 kg)
- Gross wt.: 66.4 lbs (30.1 kg)
- Shipping volume: 2.90 ft³ (0.082 m³)
- Net wt. bronze: 58.4 lbs (26.5 kg)
- Gross wt. bronze: 70.8 lbs 32.1 kg)
- Shipping volume bronze: 2.90 ft³ (0.082 m³)

Note: ETA is calculated as wire-to-water efficiency.



TM02 0729 5100

Dimensions

Model	L1	L3	B1	B2	B4	B5	B7	H1	H2	H3	D1	D2	D3	D4	D5	D6	D7	M	
UPS 40-240/2	[in]	13.50	3.75	5.75	6.68	4.00	4.00	3.19	2.69	11.06	13.96	1.69	2.88	3.42	5.00	0.50	2.06	2.56	
	[mm]	343	95	146	170	102	102	81	68	281	355	43	73	87	127	13	52	65	M12

Product numbers

Model type	Product number		Voltage [V]
	Cast Iron	Bronze	
UPS 40-240/2 (1 ph)	96402797	96402804	230

Connections

Flange size	Flange type
1.5" non ANSI 2 bolt w/ (2) 0.5" dia. holes	GF 40/43

Electrical data

Speed	Max amps [A]	P Max [Watts]	Start amps [A]
	230V		230V
3	6.20	1350	11.80
2	5.55	1200	10.56
1	5.15	1100	9.80