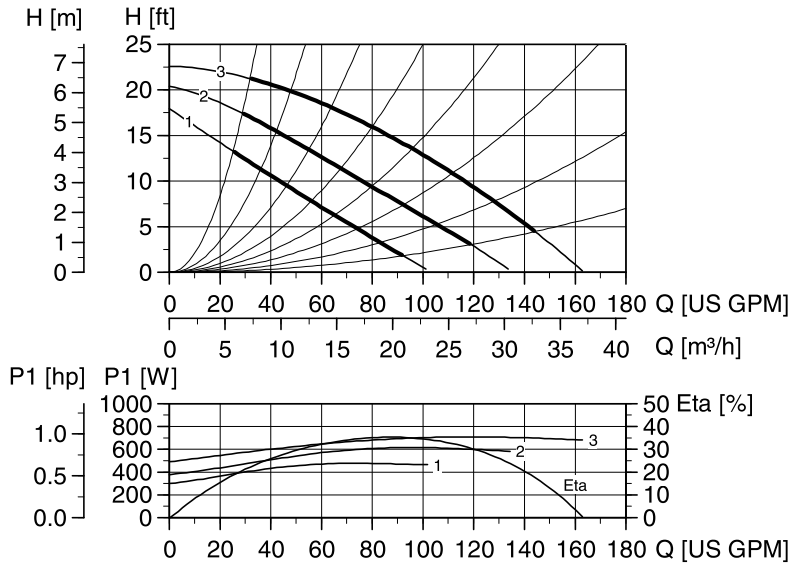


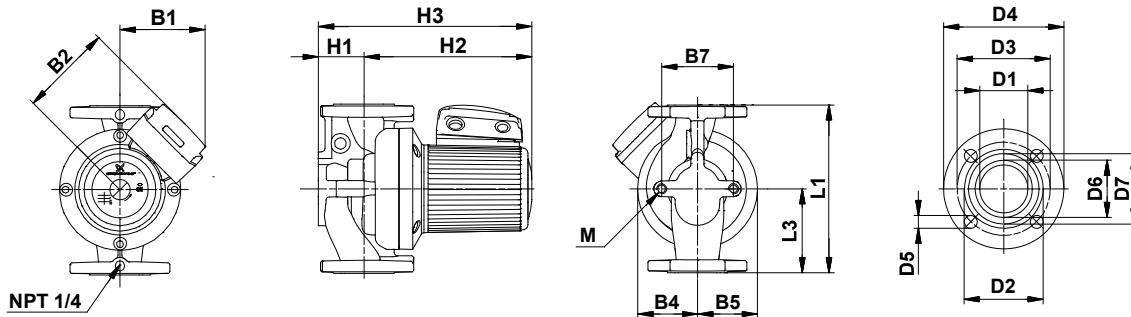
**UPS 50-80/4, 1 ph, 115 V, 230 V, 60 Hz**



TM00 9519 0307

- Flow range: 20 - 160 gpm
- Head range: 1 - 24 ft
- Motor: 4-pole 0.75 Hp
- Max. liquid temp (Open): +140 °F
- Max. liquid temp.: +248 °F
- Min. liquid temp.: +32 °F
- Max. system pressure: 145 psi
- Net wt: 60.2 lbs (27.3 kg)
- Gross wt.: 72.5 lbs (32.9 kg)
- Shipping volume: 2.90 ft<sup>3</sup> (0.082 m<sup>3</sup>)
- Net wt. bronze: 66.8 lbs (30.3 kg)
- Gross wt. bronze: 79.1 lbs (35.9 kg)
- Shipping volume bronze: 2.90 ft<sup>3</sup> (0.082 m<sup>3</sup>)

**Note:** ETA is calculated as wire-to-water efficiency.



TM02 0730 5100

**Dimensions**

Model	L1	L3	B1	B2	B4	B5	B7	H1	H2	H3	D1	D2	D3	D4	D5	D6	D7	M
UPS 50-80/4	[in]	11.50	7.00	5.75	6.68	4.38	3.94	4.75	3.25	10.88	14.23	2.13	3.44	3.44	5.25	0.55	2.50	3.06
	[mm]	292	178	146	170	111	100	121	83	276	361	54	87	87	133	14	64	78

**Product numbers**

Model type	Product number		Voltage [V]
	Cast Iron	Bronze	
UPS 50-80/4 (1 ph)	96404958	96404963	115
	96404959	96404964	230

**Connections**

Flange size	Flange type
2" non ANSI 4 bolt w/ (4) 0.56" dia. holes	GF 50

**Electrical data**

Speed	Max amps [A]		P Max [Watts]	Start amps [A]	
	115V	230V		115V	230V
3	7.55	3.80	720	13.20	6.50
2	6.85	3.40	620	11.98	5.82
1	5.15	2.60	480	9.00	4.45