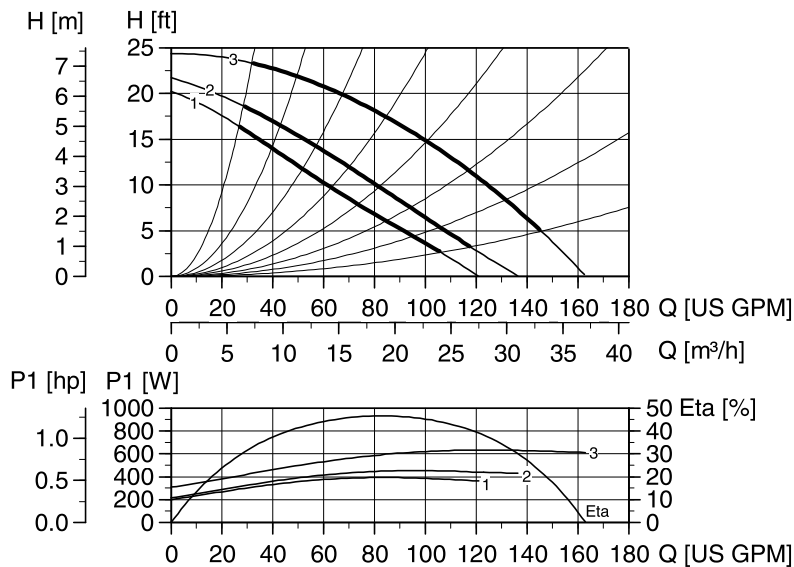
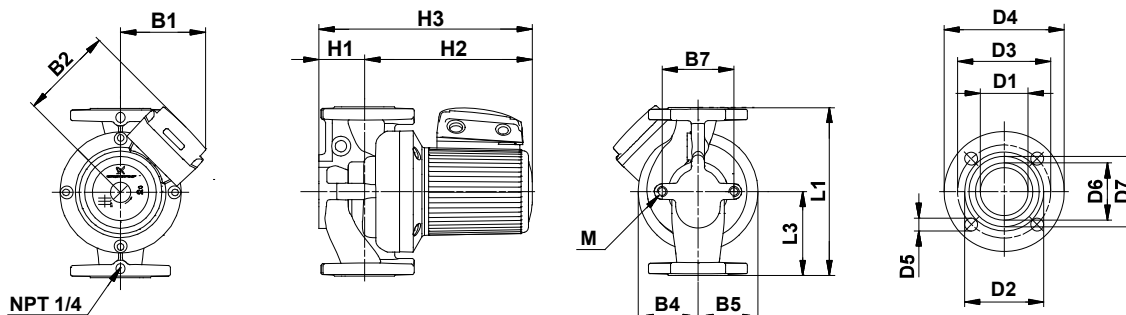


**UPS 50-80/4, 3 ph, 208-230 V, 460 V, 575 V★, 60 Hz**



TM00 9502 0307

Note: ETA is calculated as wire-to-water efficiency.



TM02 0730 5100

**Dimensions**

Model	L1	L3	B1	B2	B4	B5	B7	H1	H2	H3	D1	D2	D3	D4	D5	D6	D7	M
UPS 50-80/4	[in]	11.50	7.00	5.75	6.68	4.38	3.94	4.75	3.25	10.88	14.23	2.13	3.44	3.44	5.25	0.55	2.50	3.06
	[mm]	292	178	146	170	111	100	121	83	276	361	54	87	87	133	14	64	78

**Product numbers**

Model type	Product number		Voltage [V]
	Cast Iron	Bronze	
UPS 50-80/4 (3 ph)	96404960	96404965	208-230
	96404961	96404966	460
	96404962	96404967	575★

**Connections**

Flange size	Flange type
2" non ANSI 4 bolt w/ (4) 0.56" dia. holes	GF 50

**Electrical data**

Speed	Max amps [A]			P Max [Watts]	Start amps [A]		
	208-230V	460V	575V★		208-230V	460V	575V★
3	2.44	1.22	0.98	640	8.50	4.30	3.44
2	1.44	0.72	0.58	450	5.02	2.54	2.00
1	1.24	▲	▲	390	4.32	▲	▲

▲ All 3-phase, 460V and 575V pumps are 2-speed only.  
★ Canada only.