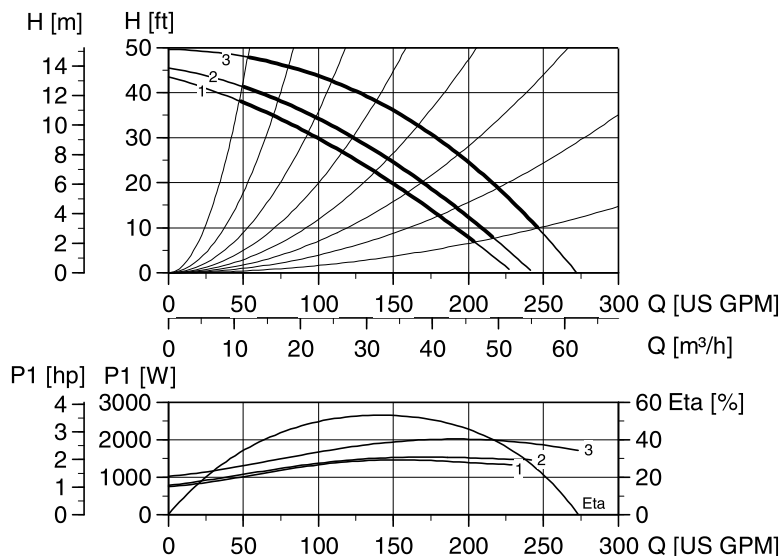


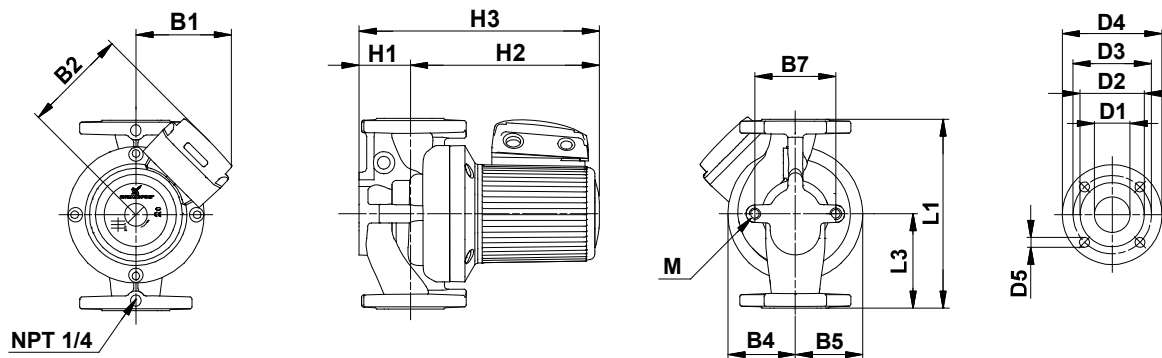
UPS 80-160/2, 3 ph, 208-230 V, 460 V, 575 V★, 60 Hz



TM00 9508 00307

Flow range:	30 - 275 gpm
Head range:	1 - 49 ft
Motor:	2-pole 3.00 Hp
Max. liquid temp (Open):	+140 °F
Max. liquid temp.:	+248 °F
Min. liquid temp.:	+32 °F
Max. system pressure:	145 psi
Net wt:	85.1 lbs (38.6 kg)
Gross wt.:	97.4 lbs (44.2 kg)
Shipping volume:	2.90 ft ³ (0.082 m ³)
Net wt. bronze:	97.2 lbs (44.1 kg)
Gross wt. bronze:	109.6 lbs (49.7 kg)
Shipping volume bronze:	2.90 ft ³ (0.082 m ³)

Note: ETA is calculated as wire-to-water efficiency.



TM02 0731 5100

Dimensions

Model	L1	L3	B1	B2	B4	B5	B7	H1	H2	H3	D1	D2	D3	D4	D5	D6	D7	M
UPS 80-160/2	[in]	19.00	9.50	5.75	6.68	3.94	3.94	6.31	3.81	11.31	15.20	3.19	5.00	6.00	7.56	0.75	—	—
	[mm]	483	241	146	170	100	100	160	97	287	386	81	127	152	192	19	—	—

Product numbers

Model type	Product number		Voltage [V]
	Cast Iron	Bronze	
UPS 80-160/2 (3 ph)	96402920	96402923	208-230
	96402921	96402924	460
	96402922	96402925	575★

Connections

Flange size	Flange type
3" ANSI 125# R.F.	GF80

Electrical data

Speed	Max amps [A]			P Max [Watts]	Start amps [A]		
	208-230V	460V	575V★		208-230V	460V	575V★
3	6.35	3.13	2.54	2050	31.00	15.40	12.32
2	4.20	2.10	1.68	1550	20.50	10.17	8.14
1	4.05	▲	▲	1500	19.77	▲	▲

▲ All 3-phase, 460V and 575V pumps are 2-speed only.
★ Canada only.