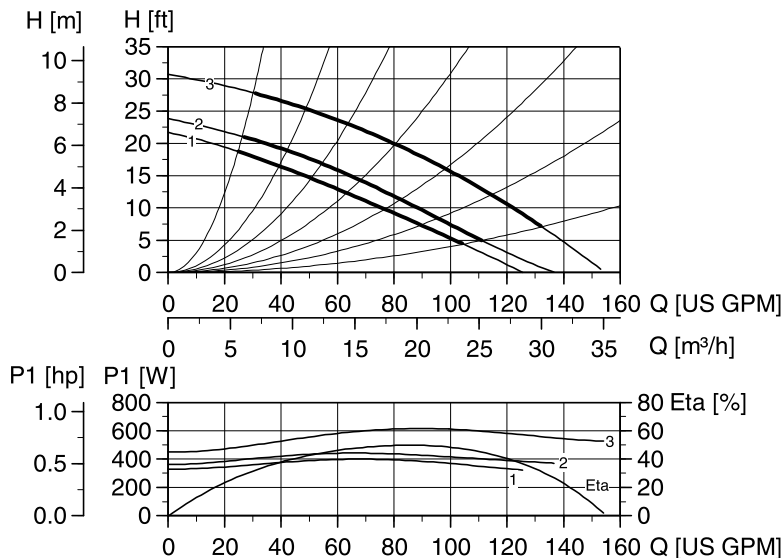


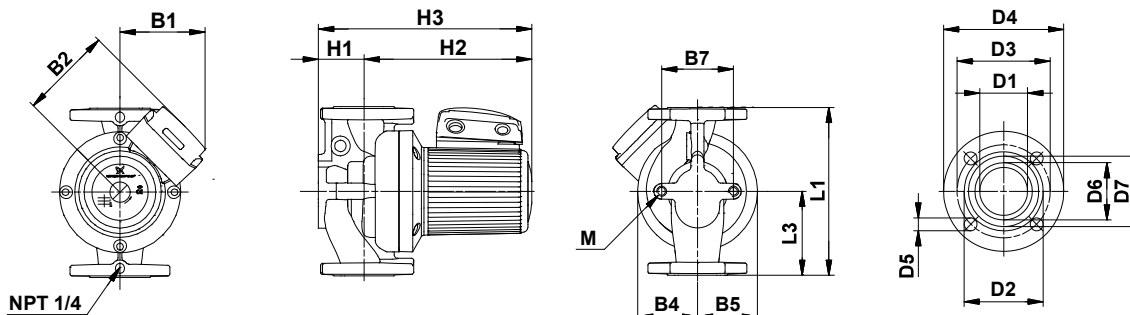
UPS 50-80/2, 3 ph, 208-230 V, 460 V, 575 V★, 60 Hz



TM00 9503 0307

- Flow range: 20 - 150 gpm
- Head range: 1 - 30 ft
- Motor: 2-pole 0.75 Hp
- Max. liquid temp (Open): +140 °F
- Max. liquid temp.: +248 °F
- Min. liquid temp.: +32 °F
- Max. system pressure: 145 psi
- Net wt: 49.5 lbs (20.8 kg)
- Gross wt.: 53.4 lbs (24.2 kg)
- Shipping volume: 2.90 ft³ (0.082 m³)
- Net wt. bronze: 52.2 lbs (23.7 kg)
- Gross wt. bronze: 59.7 lbs (27.1 kg)
- Shipping volume bronze: 2.90 ft³ (0.082 m³)

Note: ETA is calculated as wire-to-water efficiency.



TM02 0730 5100

Dimensions

Model	L1	L3	B1	B2	B4	B5	B7	H1	H2	H3	D1	D2	D3	D4	D5	D6	D7	M
UPS 50-80/2	[in]	11.5	7.00	5.31	5.56	3.75	3.00	4.75	3.00	9.88	12.86	2.13	3.44	4.06	5.25	0.55	2.50	3.06
	[mm]	292	178	135	141	95	76	121	76	251	327	54	87	103	133	14	64	78

Product numbers

Model type	Product number		Voltage [V]
	Cast Iron	Bronze	
UPS 50-80/2 (3 ph)	96402838	96402845	208-230
	96402840	96402846	460
	96402842	96402847	575★

Connections

Flange size	Flange type
2" non ANSI 4 bolt w/ (4) 0.56" dia. holes	GF 50

Electrical data

Speed	Max amps [A]			P Max [Watts]	Start amps [A]		
	208-230V	460V	575V★		208-230V	460V	575V★
3	1.92	0.96	0.77	610	9.30	4.70	3.76
2	1.20	0.60	0.48	440	5.81	2.94	2.40
1	1.08	▲	▲	400	5.23	▲	▲

▲ All 3-phase, 460V and 575V pumps are 2-speed only.
★ Canada only.