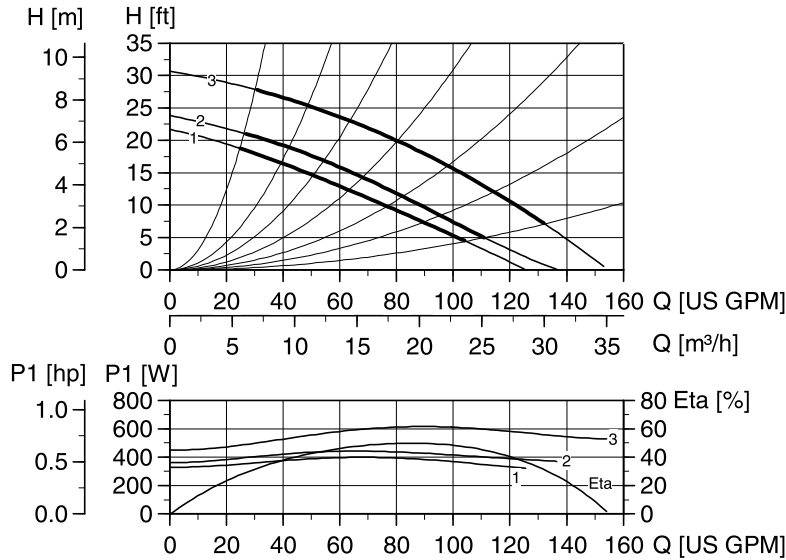


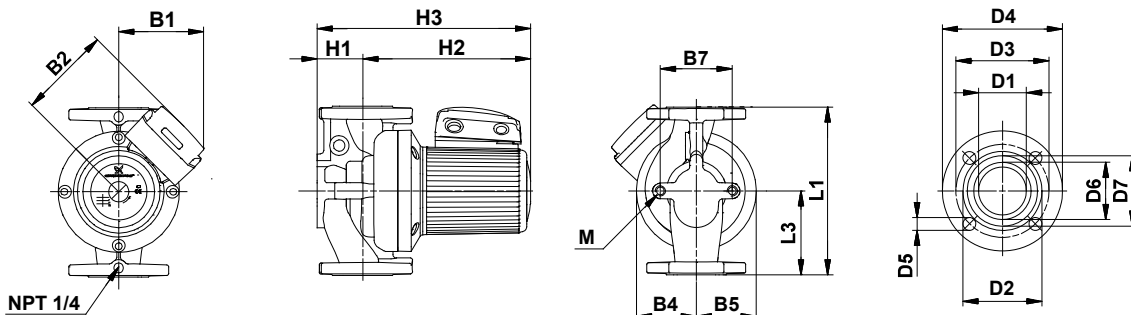
UPS 53-55/57, 3 ph, 208-230 V, 460 V, 575 V★, 60 Hz



TM00 9503 0307

- Flow range: 20 - 150 gpm
- Head range: 1 - 30 ft
- Motor: 2-pole 0.75 Hp
- Max. liquid temp (Open): +140 °F
- Max. liquid temp.: +248 °F
- Min. liquid temp.: +32 °F
- Max. system pressure: 145 psi
- Net wt: 46.7 lbs (21.2 kg)
- Gross wt.: 54.2 lbs (24.6 kg)
- Shipping volume: 2.10 ft³ (0.06 m³)
- Net wt. bronze: 52.2 lbs (23.7 kg)
- Gross wt. bronze: 59.7 lbs (27.1 kg)
- Shipping volume bronze: 2.10 ft³ (0.06 m³)

Note: ETA is calculated as wire-to-water efficiency.



TM02 0730 5100

Dimensions

Model	L1	L3	B1	B2	B4	B5	B7	H1	H2	H3	D1	D2	D3	D4	D5	D6	D7	M
UPS 53-55/57	[in]	11.88	5.94	5.31	5.56	3.75	2.94	4.75	2.94	9.88	12.86	2.06	4.19	5.00	6.00	0.63	3.50	4.00
	[mm]	302	151	135	141	95	75	121	75	251	327	52	106	127	152	16	89	102

Product numbers

Model type	Product number		Voltage [V]
	Cast Iron	Bronze	
UPS 53-55/57 (3 ph)	96654375	96654394	208-230
	96654376	96654395	460
	96654377	96654396	575 ★

Connections

Flange size	Flange type
2.0", 2.5", 3.0" non ANSI 4 bolt w/ (4) 0.63" dia. holes	GF 53

Electrical data

Speed	Max amps [A]			P Max [Watts]	Start amps [A]		
	208-230V	460V	575V★		208-230V	460V	575V★
3	1.92	0.96	0.77	610	9.30	4.70	3.76
2	1.20	0.60	0.48	440	5.81	2.94	2.40
1	1.08	▲	▲	400	5.23	▲	▲

▲ All 3-phase, 460V and 575V pumps are 2-speed only.
★ Canada only.