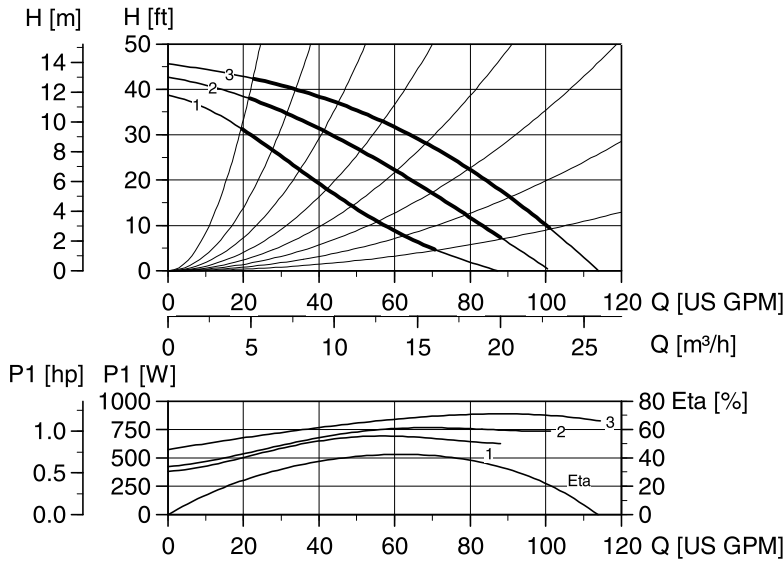


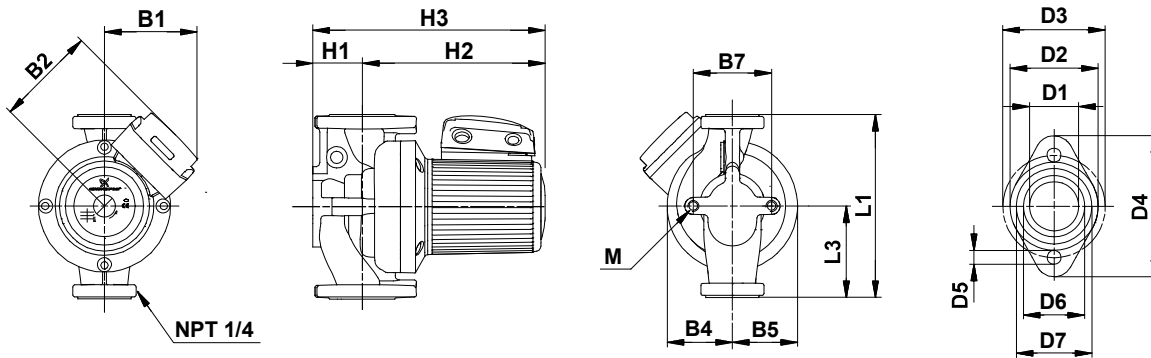
UPS 40-160/2, 1 ph, 115 V, 230 V, 60 Hz



TM00 9516 0307

- Flow range: 13 - 110 gpm
- Head range: 1 - 46 ft
- Motor: 2-pole 0.75 Hp
- Max. liquid temp (Open): +140 °F
- Max. liquid temp.: +248 °F
- Min. liquid temp.: +32 °F
- Max. system pressure: 145 psi
- Net wt: 43.2 lbs (19.6 kg)
- Gross wt.: 55.6 lbs (25.2 kg)
- Shipping volume: 2.90 ft³ (0.082 m³)
- Net wt. bronze: 47.6 lbs (21.6 kg)
- Gross wt. bronze: 60 lbs (27.2 kg)
- Shipping volume bronze: 2.90 ft³ (0.082 m³)

Note: ETA is calculated as wire-to-water efficiency.



TM02 0729 5100

Dimensions

Model	L1	L3	B1	B2	B4	B5	B7	H1	H2	H3	D1	D2	D3	D4	D5	D6	D7	M
UPS 40-160/2	[in]	11.50	5.75	5.75	6.68	3.94	3.94	3.19	2.31	9.00	11.69	1.69	2.88	3.42	5.00	0.50	2.06	2.56
	[mm]	292	146	146	170	100	100	81	59	229	297	43	73	87	127	13	52	65

Product numbers

Model type	Product number		Voltage [V]
	Cast Iron	Bronze	
UPS 40-160/2 (1 ph)	96402782	96402787	115
	96402783	96402788	230

Connections

Flange size	Flange type
1.5" non ANSI 2 bolt w/ (2) 0.5" dia. holes	GF 40/43

Electrical data

Speed	Max amps [A]		P Max [Watts]	Start amps [A]	
	115V	230V		115V	230V
3	8.40	4.20	890	18.60	9.30
2	7.45	3.75	760	16.50	8.30
1	6.95	3.45	690	15.39	7.64