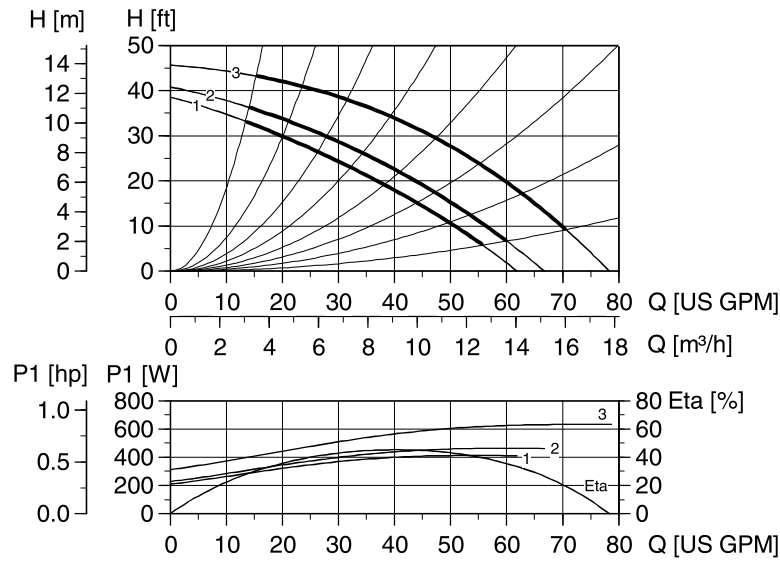


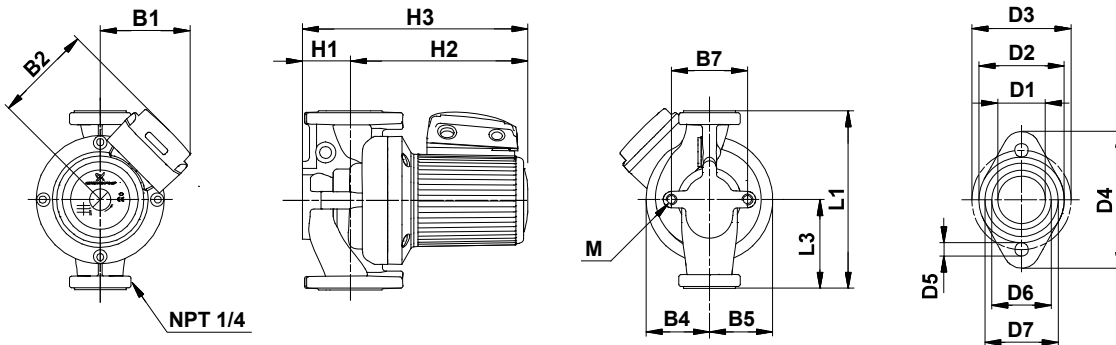
UPS 32-160/2, 3 ph, 208-230 V, 460 V, 575 V★, 60 Hz



Flow range:	9 - 76 gpm
Head range:	1 - 45 ft
Motor:	2-pole 0.75 Hp
Max. liquid temp (Open):	+140 °F
Max. liquid temp.:	+248 °F
Min. liquid temp.:	+32 °F
Max. system pressure:	145 psi
Net wt:	36.8 lbs (16.7 kg)
Gross wt.:	44.8 lbs (20.3 kg)
Shipping volume:	1.70 ft ³ (0.048 m ³)
Net wt. bronze:	41.2 lbs (18.7 kg)
Gross wt. bronze:	49.4 lbs (22.4 kg)
Shipping volume bronze:	1.70 ft ³ (0.048 m ³)

TM00 9495 0697

Note: ETA is calculated as wire-to-water efficiency.



TM02 0729 5100

Dimensions

Model	L1	L3	B1	B2	B4	B5	B7	H1	H2	H3	D1	D2	D3	D4	D5	D6	D7	M
UPS 32-160/2	[in]	13.50	5.50	5.31	5.56	3.00	3.00	3.19	2.69	9.50	12.16	1.44	2.50	3.42	4.63	0.50	2.06	2.56
	[mm]	343	140	135	141	76	76	81	68	241	309	37	64	87	117	13	52	65

Product numbers

Model type	Product number		Voltage [V]
	Cast Iron	Bronze	
UPS 32-160/2 (3 ph)	96402736	96402741	208-230
	96402737	96402742	460
	96402738	96402743	575 ★

Connections

Flange size	Flange type
1.5" non ANSI 2 bolt w/ (2) 0.5" dia. holes	GF 40/43

Electrical data

Speed	Max amps [A]			P Max [Watts]	Start amps [A]		
	208-230V	460V	575V★		208-230V	460V	575V★
3	1.96	0.98	0.78	600	9.30	4.70	3.76
2	1.25	0.63	0.50	430	5.93	3.02	2.40
1	1.12	▲	▲	380	5.31	▲	▲

▲ All 3-phase, 460V and 575V pumps are 2-speed only.
★ Canada only.