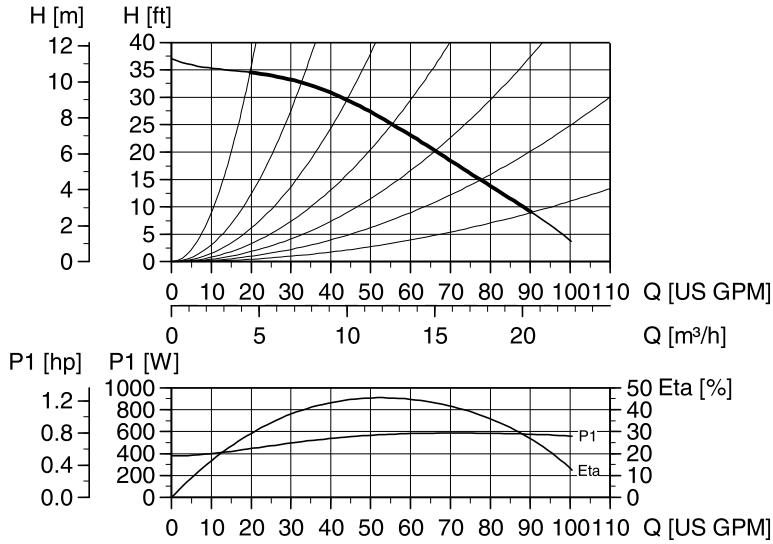


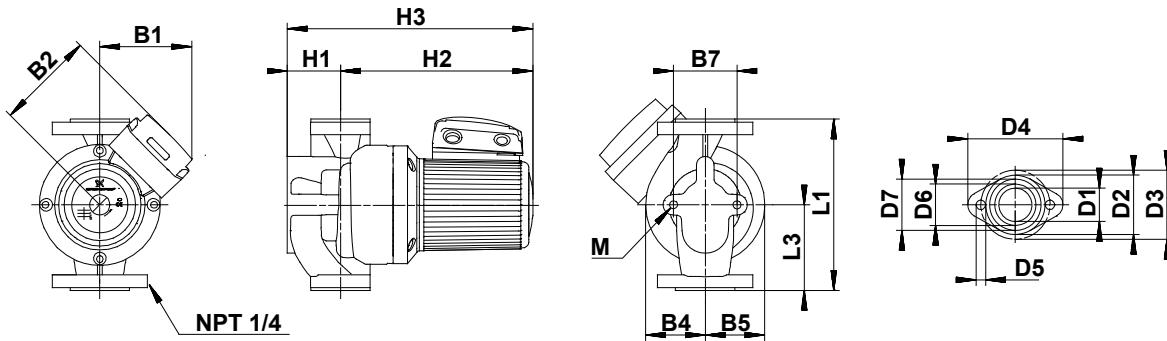
UP 43/110, 1 ph, 115 V / 230 V, 60 Hz



Flow range: 15 - 105 gpm
 Head range: 1 - 37 ft
 Motor: 2-pole 0.75 Hp
 Max. liquid temp (Open): +140 °F
 Max. liquid temp.: +230 °F
 Min. liquid temp.: +32 °F
 Max. system pressure: 145 psi
 Net wt: 33.1 lbs (15.0 kg)
 Gross wt.: 41.2 lbs (18.7 kg)
 Shipping volume: 1.70 ft³ (0.048 m³)

TM02 0076 0307

Note: ETA is calculated as wire-to-water efficiency.



TM02 0120 3902

Dimensions

Model	L1	L3	B1	B2	B4	B5	B7	H1	H2	H3	D1	D2	D3	D4	D5	D6	D7	M
UP 43-110	[in]	8.50	4.25	5.25	5.56	2.94	2.94	3.13	2.63	9.63	12.23	1.63	2.94	3.42	4.75	0.50	2.06	2.50
	[mm]	216	108	133	141	75	75	79	67	244	311	41	75	87	121	13	52	64

Product numbers

Model type	Product number	Voltage [V]
	Cast Iron	
UP 43-100 (1 ph)	96436943	115/230

Connections

Flange size	Flange type
1.50" non ANSI 2 bolt w/ (2) 0.5" dia. holes	GF 40/43

Electrical data

Max amps [A]	P Max [Watts]	
	115V	230V
4.9	2.5	570