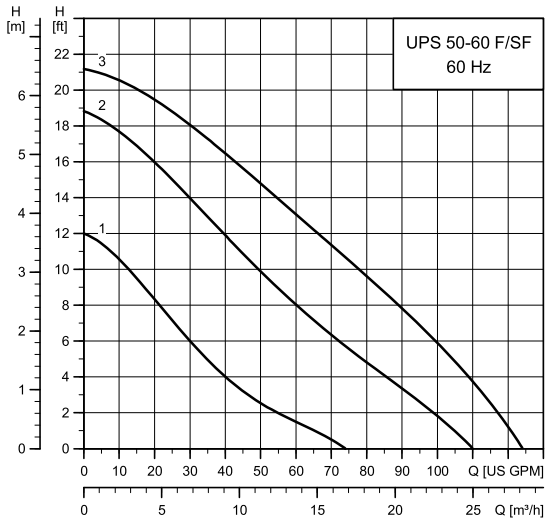
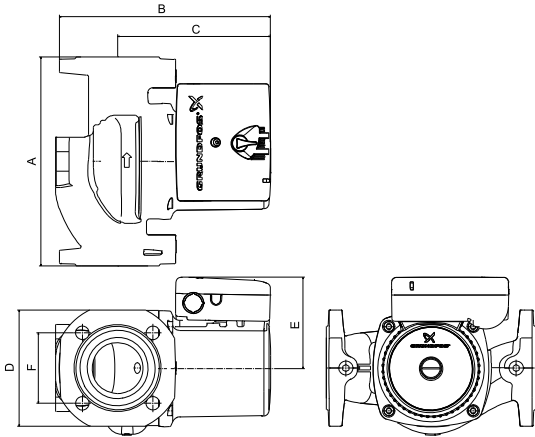


### UPS 50-60 F/SF



TM04 7918 4412

UPS 50-60 F/SF



TM04 9775 0111

Flow range: 0-120 gpm (0 - 27.3 m<sup>3</sup>/h)  
 Head range: 0-21 ft (0 - 6.4 m)  
 Motor: 2-pole, single-phase  
 Max. liquid temperature: 230 °F (110 °C)  
 Min. liquid temperature: 36 °F (10 °C)  
 Max. system pressure: 145 psi (10 bar)  
 Closed or open system

Model	Speed	Volts	Amps	Watts	Hp	Capacitor
UPS 50-60 F/ SF	III	115	3.6	395	1/2	40 μF / 180 V
	II		3.4	350	1/2	
	I		2.7	260	1/2	
	III	208	1.9	395	1/2	10 μF / 400 V
	II		1.7	350	1/2	
	I		1.4	290	1/2	
	III	230	1.8	395	1/2	
	II		1.7	350	1/2	
	I		1.4	260	1/2	

#### Approvals

UPS 50-60 F/SF



UPS 50-60 SF

Model	Product number		Dimensions [inches (mm)]						Connection type and size	Shipping weight [lbs (kg)]
	115 V	208-230 V	A	B	C	D	E	F		
UPS 50-60 F	97523134	97523135	8.59 (216)	8.63 (219)	6.25 (159)	4.75 (121)	3.75 (95)	2.88 (73)	GF 50	20.0 (44.0)
UPS 50-60 SF	97523136	97523137	8.59 (216)	8.63 (219)	6.25 (159)	4.75 (121)	3.75 (95)	2.88 (73)		20.0 (44.0)

**Note:** Dimensions in inches unless otherwise stated.