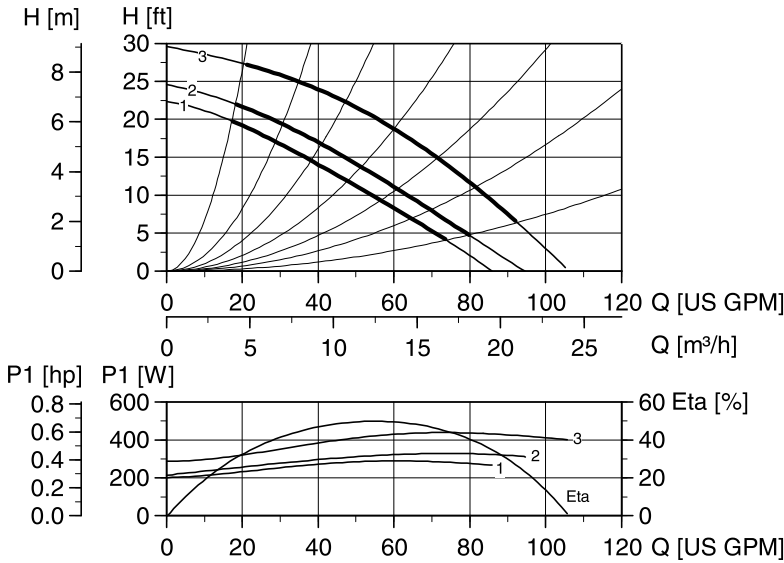


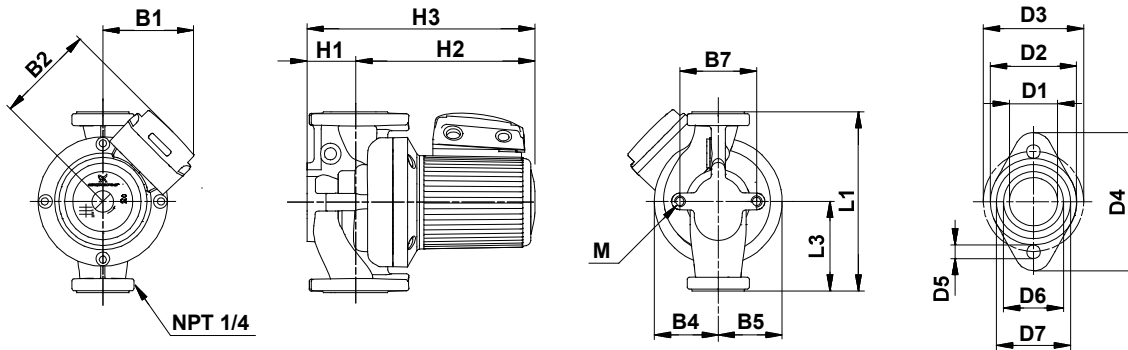
UPS 40-80/2, 3 ph, 208-230 V, 460 V, 575 V★, 60 Hz



- Flow range: 13 - 105 gpm
- Head range: 1 - 30 ft
- Motor: 2-pole 0.75 Hp
- Max. liquid temp (Open): +140 °F
- Max. liquid temp.: +248 °F
- Min. liquid temp.: +32 °F
- Max. system pressure: 145 psi
- Net wt: 38.4 lbs (17.4 kg)
- Gross wt.: 46.5 lbs (21.1 kg)
- Shipping volume: 1.70 ft<sup>3</sup> (0.048 m<sup>3</sup>)
- Net wt. bronze: 42.8 lbs (19.4 kg)
- Gross wt. bronze: 50.9 lbs (23.1 kg)
- Shipping volume bronze: 1.70 ft<sup>3</sup> (0.048 m<sup>3</sup>)

TM00 9497 0697

Note: ETA is calculated as wire-to-water efficiency.



TM02 0729 5100

Dimensions

Model	L1	L3	B1	B2	B4	B5	B7	H1	H2	H3	D1	D2	D3	D4	D5	D6	D7	M	
UPS 40-80/2	[in]	13.50	6.75	5.31	5.56	3.00	3.00	3.13	2.69	9.63	12.36	1.69	2.88	3.42	5.00	0.50	2.06	2.56	
	[mm]	343	171	135	141	76	76	79	68	244	314	43	73	87	127	13	52	65	M12

Product numbers

Model type	Product number		Voltage [V]
	Cast Iron	Bronze	
UPS 40-80/2 (3 ph)	96402764	96402769	208-230
	96402765	96402770	460
	96402766	96402771	575★

Connections

Flange size	Flange type
1.5" non ANSI 2 bolt w/ (2) 0.5" dia. holes	GF 40/43

Electrical data

Speed	Max amps [A]			P Max [Watts]	Start amps [A]		
	208-230V	460V	575V★		208-230V	460V	575V★
3	1.45	0.73	0.58	440	7.40	3.70	2.96
2	0.94	0.47	0.38	320	4.80	2.38	1.90
1	0.86	▲	▲	290	4.39	▲	▲

▲ All 3-phase, 460V and 575V pumps are 2-speed only.  
★ Canada only.