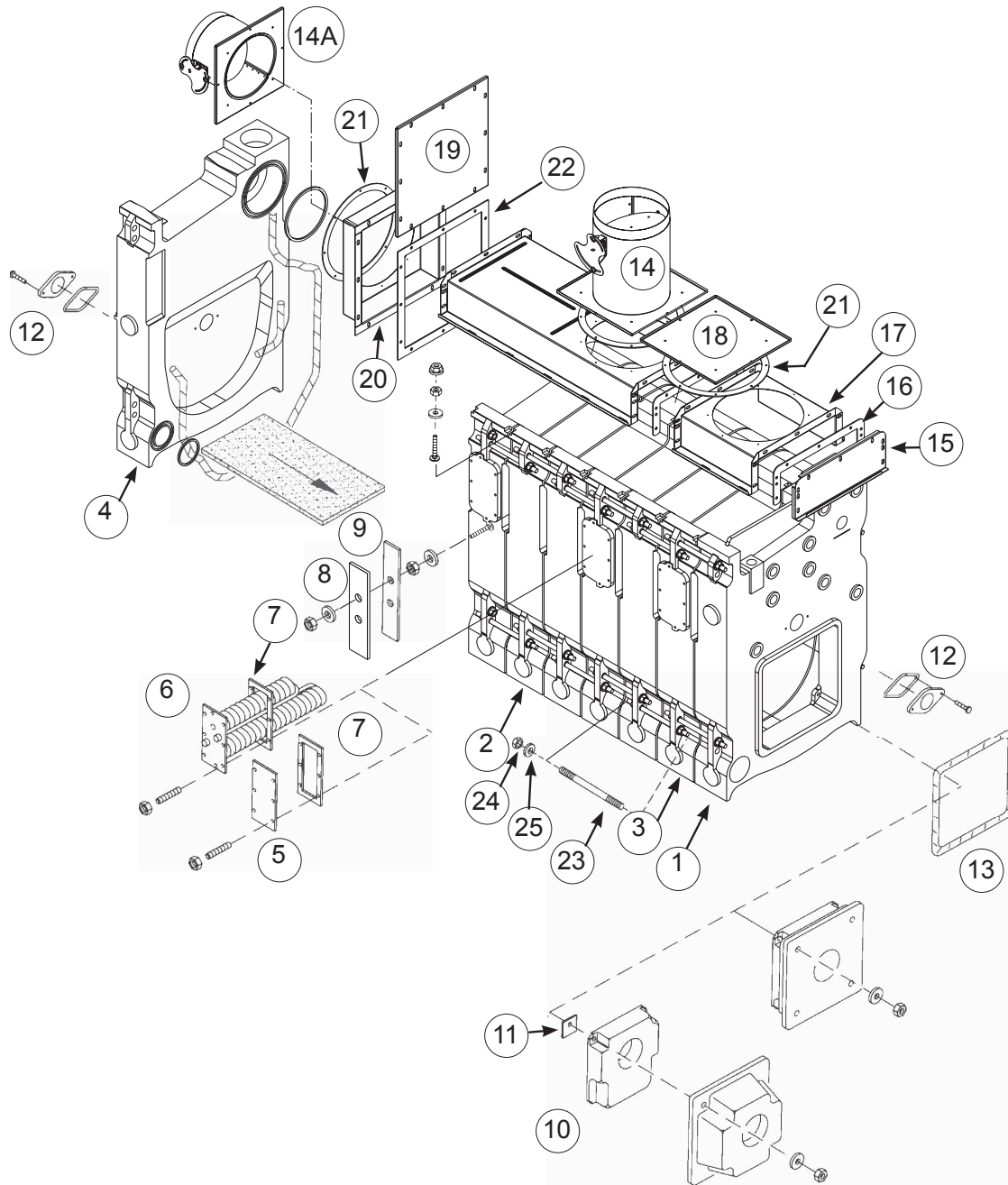


80 Boiler Assembly



| Fig. No. | Part No. | Description |
|----------|-------------|---|
| 1 | 315-700-100 | Front Section 8013 |
| | 315-700-120 | Intermediate Section, regular 8015 |
| 2 | 315-700-130 | Intermediate Section with special side tappings 8017 |
| | 315-700-150 | Intermediate Section, supply (steam boilers) 8014 |
| 3 | 315-700-140 | Intermediate Section, tankless 8016 |
| 4 | 315-700-110 | Back Section 8018 |
| | 383-800-205 | Section Assembly Kit |
| 5 | 385-700-200 | Heater Cover Plate Carton (Includes: Cover Plate, Gasket, Studs, Nuts) |
| 6 | 590-921-917 | Tankless Heater Carton (Includes: Tankless Heater, Gasket, Studs, Nuts) |
| 7 | 590-317-550 | Heater Gasket |

80 Boiler Assembly

| | | | | | | | | | | | | |
|-----|------------------------------------|---|------------------------------------|---|---|---|---|---|---|----|----|----|
| NS | 385-800-205 | Kit Service Section Assembly | | | | | | | | | | |
| 8 | 450-030-928 | Cleanout Plate | | | | | | | | | | |
| 9 | 590-317-303 | Cleanout Plate Gasket | | | | | | | | | | |
| 10 | 591-000-070 | Burner Mounting Plate, front refractory 4 ½" burner opening | | | | | | | | | | |
| | 591-000-072 | Burner Mounting Plate, front refractory 6 1/8" burner opening | | | | | | | | | | |
| 11 | 562-650-105 | Refractory Retainer Clip | | | | | | | | | | |
| 12 | 385-600-099 | Observation Port Assembly (Includes: Observation Port Assembly, Sealing Rope, Screws) | | | | | | | | | | |
| 13 | 590-735-254 | Sealing rope ½" x 10' packaged | | | | | | | | | | |
| NS | 385-700-220 | Combustion Chamber Kit (Includes: Back Refractory Blanket, Bottom Refractory Blanket, Adhesive, Sealing Rope, Sealing Rope Adhesive) | | | | | | | | | | |
| 14 | 425-800-090 | Flue Damper Assembly, top flue boilers – 8" 380-680 | | | | | | | | | | |
| | 425-800-091 | Flue Damper Assembly, top flue boilers – 10" 780-1180 | | | | | | | | | | |
| | 425-800-092 | Flue Damper Assembly, top flue boilers – 12" 1280 | | | | | | | | | | |
| 14A | 425-800-096 | Flue Damper Assembly, rear flue boilers – 8" 380-680 | | | | | | | | | | |
| | 425-800-097 | Flue Damper Assembly, rear flue boilers – 10" 780-1180 | | | | | | | | | | |
| | 425-800-098 | Flue Damper Assembly, rear flue boilers – 12" 1280 | | | | | | | | | | |
| NS | 385-800-215 | Flue Collector Hood Hardware Kit (Includes: Flue Collector Hardware Plus Collector Hood Gasket Kit, Below) | | | | | | | | | | |
| 15 | 463-000-003 | Flue Collector Hood end cap | | | | | | | | | | |
| NS | 385-800-218 | Collector Hood Gasket Kit (Includes: (2) Flue Collector Hood Gasket, (3) Circular Collector Hood Gaskets, (1) Rectangle Collector Hood Gasket, Flat-Stitched Sealing Rope, Double-Faced Tape) | | | | | | | | | | |
| 16 | Included in gasket kit | Flue Collector Hood Gasket | | | | | | | | | | |
| | | | Quantity Required to Make a Boiler | | | | | | | | | |
| | | | 3 | 4 | 5 | 6 | 7 | 8 | 9 | 10 | 11 | 12 |
| 17 | 450-020-300 | 80 Collector Hood - A | 1 | | | | 1 | 1 | | | | |
| | 450-020-301 | 80 Collector Hood - B | | 1 | | | | | | | | |
| | 450-020-302 | 80 Collector Hood - C | | | 1 | | 1 | | 2 | 1 | 1 | |
| | 450-020-303 | 80 Collector Hood - D | | | | 1 | | 1 | | 1 | | 1 |
| | 450-020-304 | 80 Collector Hood - E | | | | | | | | | 1 | 1 |
| 18 | Included with flue damper assembly | Flue Cap | | | | | | | | | | |
| 19 | | Flue Cap Rear | | | | | | | | | | |
| 20 | | Rear Flue Transition Gasket | | | | | | | | | | |
| 21 | Included in gasket kit | Circular Collector Hood Gasket | | | | | | | | | | |
| 22 | Included in gasket kit | Rectangular Collector Hood Gasket | | | | | | | | | | |
| NS | 592-800-008 | 7.5" Top Elastomer Seal | | | | | | | | | | |
| NS | 592-800-009 | 3.5" Bottom Elastomer Seal | | | | | | | | | | |
| 23 | 560-134-495 | 5/8" x 11" draw rod (4 per joint) | | | | | | | | | | |
| 24 | 561-928-224 | 5/8" HEX nut (2 per draw rod) | | | | | | | | | | |
| 25 | 562-248-710 | 5/8" washer (1 per draw rod) | | | | | | | | | | |

80 Boiler Water Trim

| Part No. | Description | Mfr. | Mfr.'s Part No. | Boiler Size |
|-------------|---|-----------------|-----------------|-------------|
| 511-546-924 | ASME Pressure Relief Valve, set to relieve at 30 PSIG, 3/4" N.P.T. female inlet, bras, 3/4" female side outlet, rated at 375,000 BTUH | Watts | M330 | 3, 4 |
| | ASME Pressure Relief Valve, set to relieve at 30 PSIG, 3/4" N.P.T. female inlet, bras, 3/4" female side outlet, rated at 535,000 BTUH | Conbraco | 10-408-05 | 3, 4 |
| 511-546-925 | ASME Pressure Relief Valve, set to relieve at 30 PSIG, 3/4" N.P.T. female inlet, bras, 3/4" female side outlet, rated at 925,000 BTUH | Watts | 740 | 5, 6, 7, 8 |
| 511-546-930 | ASME Pressure Relief Valve, set to relieve at 30 PSIG, 1" N.P.T. female inlet, bras, 1 1/4" female side outlet, rated at 1,300,000 BTUH | Watts | 740 | 9, 10, 11 |
| 511-546-935 | ASME Pressure Relief Valve, set to relieve at 30 PSIG, 1 1/4" N.P.T. female inlet, bras, 1 1/2" female side outlet, rated at 2,105,000 BTUH | Watts | 740 | 12 |
| 510-218-099 | Combination Pressure Temperature Gauge, 2 1/2" Dia. Dial, 0-70 PSIG, 60-320°F short shank, back connection, 1/4" N.P.T. | | | All |
| | | | | All |
| 510-312-065 | Combination High Limit/Low Limit Control, High limit: 140-240°F Low limit: 140-240°F with 5-35°F adjustable differential: Low limit must be set 20°F below high limit | White-Rodgers | 11C30-3 | All |
| | Combination High Limit/Low Limit Control, High limit: 140-240°F Low limit: 140-240°F with 5-35°F adjustable differential: Low limit must be set 20°F below high limit | Honeywell | L4081A-1189 | All |
| 590-921-917 | Tankless heater (Includes: Heater, Gasket, Nuts and Studs) | Heat Controller | 78-34 | |
| 560-340-577 | Stud 3/8-16" NC-2A x 1.12 Long with 3/8-16" NC brass nut | | | |
| 590-317-550 | Gasket Tankless Heater Cover Plate 5.25 x 10.00 | | | |

80 Boiler Steam Trim



| Fig. No. | Part No. | Description | Mfr. | Mfr.'s Part No. | Boiler Size |
|----------|-------------|---|-----------------|-----------------|-------------|
| | 511-548-020 | Steam Relief Valve, set to relieve at 15 PSIG, 3/4" N.P.T. inlet, 3/4" side outlet, 446 lbs./hr. steam capacity | Watts | 415 | 3, 4 |
| | | Steam Relief Valve, set to relive at 15 PSIG, 3/4" N.P.T. inlet, 3/4" side outlet, 446 lbs/hr steam capacity | Conbraco | 13-211-08 | |
| | 511-548-046 | Steam Relief Valve, set to relive at 15 PSIG, 1" N.P.T. inlet, 1" side outlet, 643 lbs/hr steam capacity | Conbraco | 13-202-08 | 5, 6 |
| | 511-548-051 | Steam Relief Valve, set to relive at 15 PSIG, 1 1/4" N.P.T. inlet, 1 1/2" side outlet, 1200 lbs/hr steam capacity | Conbraco | 13-213-08 | 7, 8, 9, 10 |
| | 511-548-052 | Steam Relief Valve, set to relive at 15 PSIG, 1 1/2" N.P.T. inlet, 2" side outlet, 1900 lbs/hr steam capacity | Conbraco | 13-214-08 | 11, 12 |
| | 511-312-135 | Steam Pressure Control, cut in 0-9 PSI, additive differential 0 to 5 PSO, 1/4" N.P.T. connection | Honeywell | PA404A-1009 | All |
| 6 | 510-218-100 | Combination Pressure Vacuum Gauge, 0-30 PSIG, 0-30"Hg., 4 1/2" dial, 1/4" N.P.T. bottom connection | U.S. Gauge | C500-5549 | All |
| 7 | 510-218-145 | Water Gauge Class Cock Set, 1/2" N.P.T. male inlet | Conbraco | 21-205-03W | All |
| | 383-600-002 | Gauge Glass, 10 5/8" long x 5/8" diameter with gaskets | Weil-McLain | | All |
| | 563-334-595 | Gauge Glass Guards, 12 1/2" long x 3/16" diameter | Weil-McLain | | All |
| | 590-921-917 | Tankless Heater (Includes: Heater, Gasket, Nuts And Studs) | Heat Controller | 78-34 | |
| | 560-340-577 | Stud 3/8-16" NC-2A x 1.12 Long with 3/8-16" NC brass nut | | | |
| | 590-317-550 | Gasket Tankless Heater Cover Plate 5.25 x 10.00 | | | |