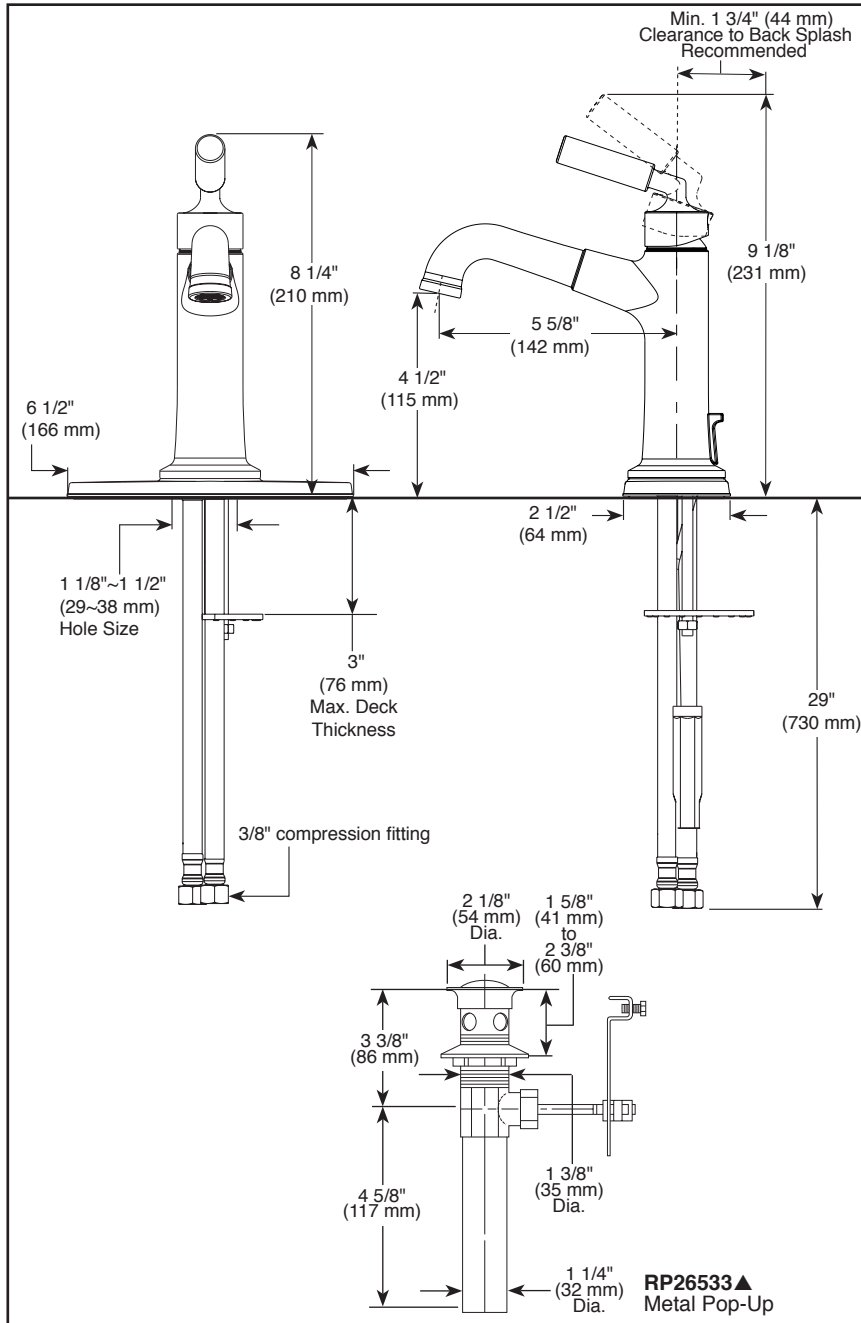


Submitted Model No.: \_\_\_\_\_

Specific Features: \_\_\_\_\_



▲ Designate proper finish suffix

Delta reserves the right (1) to make changes in specifications and materials, and (2) to change or discontinue models, both without notice or obligation. Dimensions are for reference only. See current full-line price book or [www.deltafaucet.com](http://www.deltafaucet.com) for finish options and product availability.

DSP-L-548LF-MPU Rev. A



see what Delta can do™

## BATHROOM FAUCET

- Bowery™ Collection
- Single Handle Deck Mount

### STANDARD SPECIFICATIONS:

- Maximum flow rate 1.2 gpm @ 60 psi, 4.5 L/min @ 414 kPa.
- Order aerator RP100693-1.0 for maximum 1.0 gpm @ 60 psi, 3.8 L/min @ 414 kPa.
- Order aerator RP92901-0.5 for maximum 0.5 gpm @ 60 psi, 1.9 L/min @ 414 kPa.
- Solid brass cast body.
- One or three hole mount (escutcheon optional, included).
- Polymer braided flexible supply hoses with 3/8" compression fitting - 29" (730 mm) long.
- Diamond coated ceramic cartridge.
- Handle motion "Euro Style".
- Red / blue temperature indication.
- Models have metal drain with pop-up type fitting with plated flange and stopper.

### WARRANTY

- Lifetime limited warranty on parts (other than electronic parts and batteries) and finishes; or, for commercial users, for 5 years from the date of purchase.
- 5 year limited warranty on electronic parts (other than batteries); or for commercial users, for 1 year from the date of purchase. No warranty is provided on batteries.



### COMPLIES WITH:

- ASME A112.18.1 / CSA B125.1
- ASME A112.18.2 / CSA B125.2
- Indicates compliance to ICC / ANSI A117.1
- EPA WaterSense®

### Delta Faucet Company

55 E. 111th Street, Indianapolis, Indiana 46280  
 350 South Edgeware Road, St. Thomas, Ontario Canada N5P 4L1  
 © 2018 Delta Faucet Company