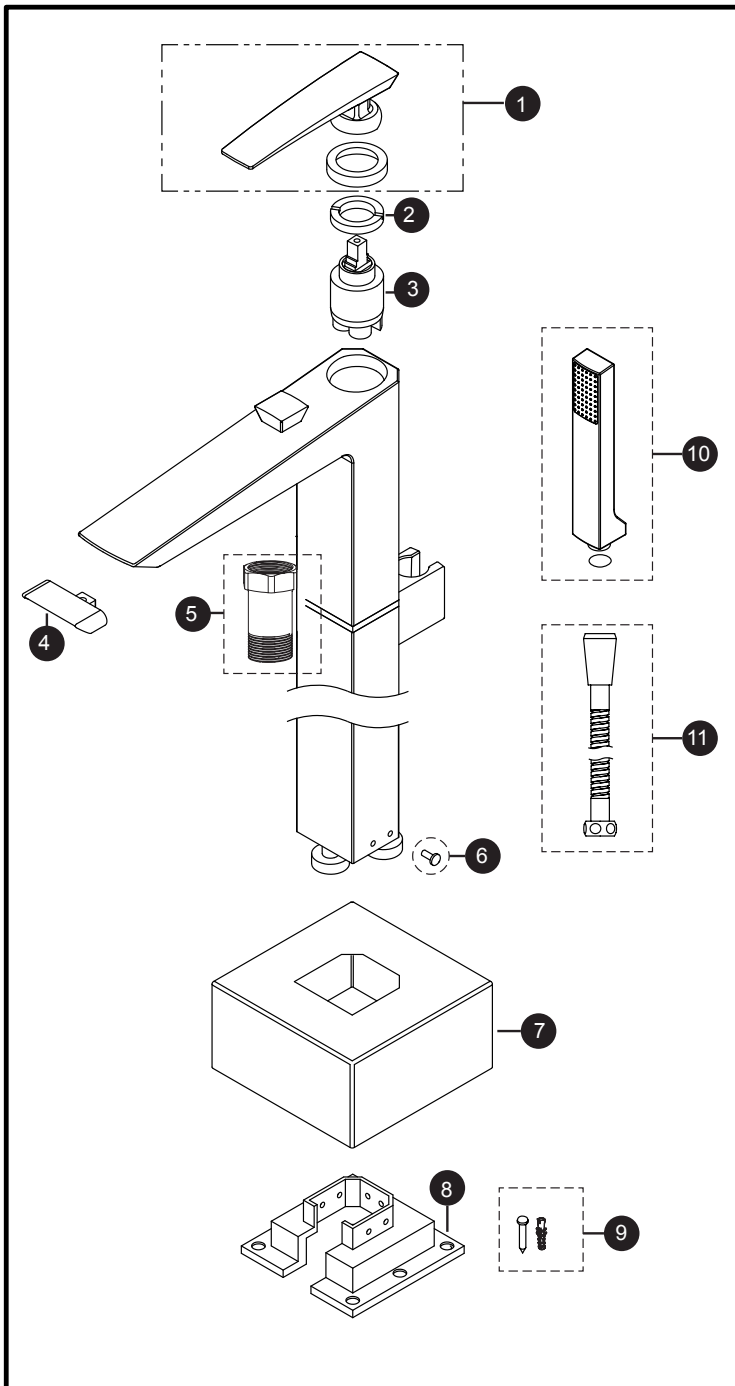


Single-Handle Freestanding Tub Filler



Item	Part	Description
1	THP4730#\$\$	Handle with Cover
2	THP4265	Nut
3	THP4494	Cartridge
4	THP4731	Screen
5	THP4797#\$\$	Adapter
6	THP4263	Machine Screw (1pc)
7	THP4732#\$\$	Escutcheon
8	THP4733	Mounting Bracket
9	THP4727	Self Tapping Screw with Anchor
10	THP4734#\$\$	Handshower with O-Ring
11	THP4729#\$\$	Handshower Hose

LEGEND
\$\$ = Denotes Finish
#CP = Polished Chrome
#BN = Brushed Nickel
#PN = Polished Nickel