



## COMMERCIAL ELECTRIC REPLACEMENT PARTS LIST

### Bradford White ElectriFLEX HD™ (Heavy Duty) Commercial Electric Water Heater CEHD SERIES Immersion Thermostat Models



**CEHD(50,80,120)**

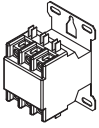
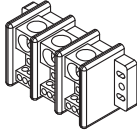
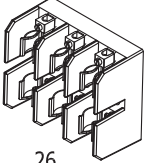
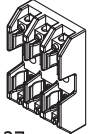
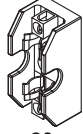
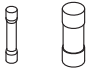

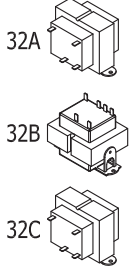
Includes Hydrojet<sup>®</sup>  
Total Performance System

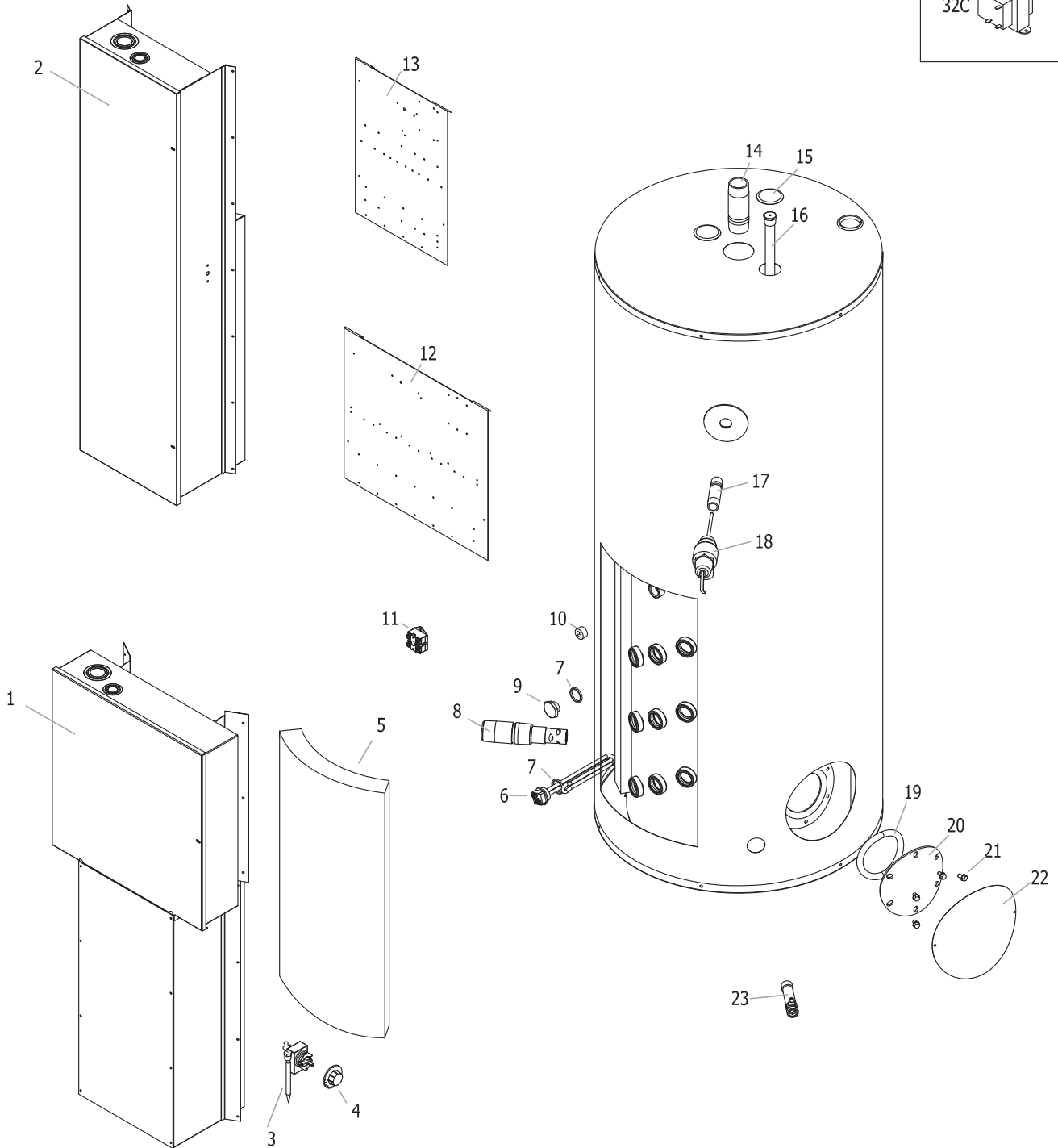
***Effective: January, 2016***  
***ECO 7960***

**NOTE: BOTH MODEL AND SERIAL  
NUMBERS ARE REQUIRED FOR  
ORDERING REPLACEMENT PARTS**

Dimensions and specifications  
subject to change without notice.

CONTROL PANEL PARTS

CONTACTORS	TERMINAL BLOCKS	FUSE BLOCKS			FUSES		GROUND LUG	TRANSFORMER
 <p>24</p>	 <p>25</p>	 <p>26</p>	 <p>27</p>	 <p>28</p>	 <p>29 30</p>	 <p>31</p>	 <p>32A 32B 32C</p>	



Item	Description	Model	Model	Model
		CEHD50(A)	CEHD80(A)	CEHD120(A)
1	Large Control Box	239-50581-00	239-50581-00	239-50581-00
2	Small Control Box	239-50576-00	239-50576-00	239-50576-00
3	Thermostat	264-33460-00	264-33460-00	264-33460-00
4	Thermostat Dial	264-33459-00	264-33459-00	264-33459-00
5	Element Insulation	226-50896-00	226-50896-00	226-50896-00
6	Heating Element	See Element Table	See Element Table	See Element Table
7	Element Gasket	223-34019-00	223-34019-00	223-34019-00
8	Inlet Diptube	229-44731-00	229-44731-00	229-44731-00
9	Element Plug	223-34020-00	223-34020-00	223-34020-00
10	3/4 NPT Plug	239-11638-00	239-11638-00	239-11638-00
11	High Limit Switch	219-50925-00	219-50925-00	219-50925-00
12	Large Control Panel	239-50682-00	239-50682-00	239-50682-00
13	Small Control Panel	239-50575-00	239-50575-00	239-50575-00
14	Outlet Nipple	229-40913-01	229-40913-06	229-40913-06
15	Hole Cover	239-50576-00	239-50576-00	239-50576-00
16	Magnesium Anode	224-47782-06	224-47782-08	224-44782-08
	Aluminum Anode #	224-38508-01	224-38508-01	224-38508-01
	A420 Aluminum Anode #	224-49559-04	224-49559-04	224-49559-04
17	3/4 NPT Nipple	229-32762-09	229-32762-09	229-32762-09
18	Temperature & Pressure Relief Valve	230-30246-00	230-30246-00	230-30246-00
19	Cleanout O-Ring	205-18427-00	205-18427-00	205-18427-00
	Cleanout Gasket (ASME)	205-32942-00	205-32942-00	205-32942-00
20	Cleanout Cover	205-18428-00	205-18428-00	205-18428-00
	Cleanout Cover (ASME)	205-32941-00	205-32941-00	205-32941-00
21	Cleanout Screw 5/16-18x3/4 (6 Req'd)	239-32970-00	239-32970-00	239-32970-00
22	Jacket Cleanout Cover	243-20299-00	243-20299-00	243-20299-00
23	Drain Valve	265-42351-02	265-42351-02	265-42351-02
24	Contact	264-41988-01	264-41988-01	264-41988-01
25	Terminal Block	264-32245-00	264-32245-00	264-32245-00
26	600V Fuse Block (3 Pole)	264-41975-00	264-41975-00	264-41975-00
27	Fuse Block (3 Pole)	264-32264-00	264-32264-00	264-32264-00
28	Fuse Block (1 Pole)	264-50325-00	264-50325-00	264-50325-00
29	Fuse "C" Class (40 A)	264-32267-00	264-32267-00	264-32267-00
	Fuse "C" Class (50 A)	264-32268-00	264-32268-00	264-32268-00
	Fuse "C" Class (60 A)	264-32269-00	264-32269-00	264-32269-00
30	Fuse "J" Class (30 A)	264-32270-00	264-32270-00	264-32270-00
	Fuse "J" Class (40 A)	264-32271-00	264-32271-00	264-32271-00
	Fuse "J" Class (50 A)	264-32272-00	264-32272-00	264-32272-00
	Fuse "J" Class (60 A)	264-32273-00	264-32273-00	264-32273-00
31	Ground Lug	264-32250-00	264-32250-00	264-32250-00
32A	Transformer (208V/240V/480V)*	264-41994-01	264-41994-01	264-41994-01
	Transformer (277V/380V/415V)*	264-41994-02	264-41994-02	264-41994-02
32B	Transformer (208V/240V/480V)*	264-41995-01	264-41995-01	264-41995-01
	Transformer (277V/380V/415V)*	264-41995-02	264-41995-02	264-41995-02
32C	Transformer (600V)*	264-41996-00	264-41996-00	264-41996-00

# Anode may need to be cut to length

\* 32A for 3 element models only, 32B for 6 and 9 element models. 32C for all 600V models.

#### Heating Elements (Incoloy)

Wattage	208 Volt	240 Volt	277 Volt	380 Volt	415 Volt	480 Volt	600 Volt
2000W	220-42545-14	220-42545-02	220-42547-07	220-42549-04	220-42551-12	220-42553-01	220-44340-01
3000W	220-42454-12	220-42545-15	220-42547-15	220-42551-10	220-42551-13	220-42553-08	220-44340-02
4000W	220-42545-09	220-42545-12	220-42547-03	220-42551-07	220-42551-05	220-42553-03	220-44340-03
4500W	220-42545-10	220-42545-07	220-42547-04	220-42551-08	220-42551-06	220-42553-04	220-44340-04
5000W	220-42543-01	220-42545-08	220-42547-09	220-42551-09	220-42551-07	220-42553-05	220-44340-05
6000W	220-42543-03	220-42545-10	220-42547-06	220-42549-02	220-42551-09	220-42553-07	220-44340-06



# **BRADFORD WHITE®**

W A T E R H E A T E R S

Ambler, PA

For U.S. and Canada field service,  
contact your professional installer or  
local Bradford White sales representative.

**Sales/800-523-2931**  
**Fax/215-641-1670**  
**Parts Fax/215-641-2180**

**Technical Support/800-334-3393**  
**Fax/269-795-1089**

**Warranty/800-531-2111**  
**Fax/269-795-1089**

**International:**  
**Telephone/215-641-9400**  
**Telefax/215-641-9750**



# **BRADFORD WHITE-CANADA® INC.**

Mississauga, ON

**Sales/866-690-0961**  
**905-238-0100**

**Fax/905-238-0105**

**Technical Support/800-334-3393**

**Email**

**parts@bradfordwhite.com**  
**techserv@bradfordwhite.com**

**www.bradfordwhite.com**