



COMMERCIAL ELECTRIC REPLACEMENT PARTS LIST

CEHD Series ElectriFLEX HD™ (Heavy Duty) Models



Models Covered:
CEHD50(A)
CEHD80(A)
CEHD120(A)

Includes Hydrojet®
Total Performance System

Effective: February, 2023
ECO 8609

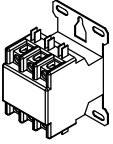
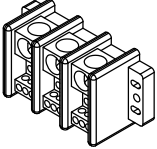
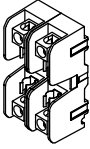
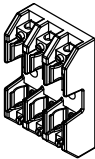
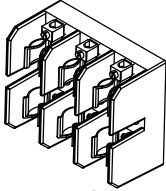
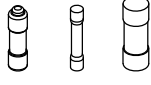

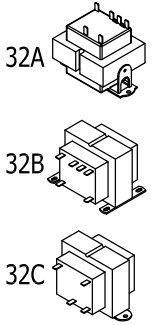
**NOTE: BOTH MODEL AND SERIAL
NUMBERS ARE REQUIRED FOR
ORDERING REPLACEMENT PARTS**

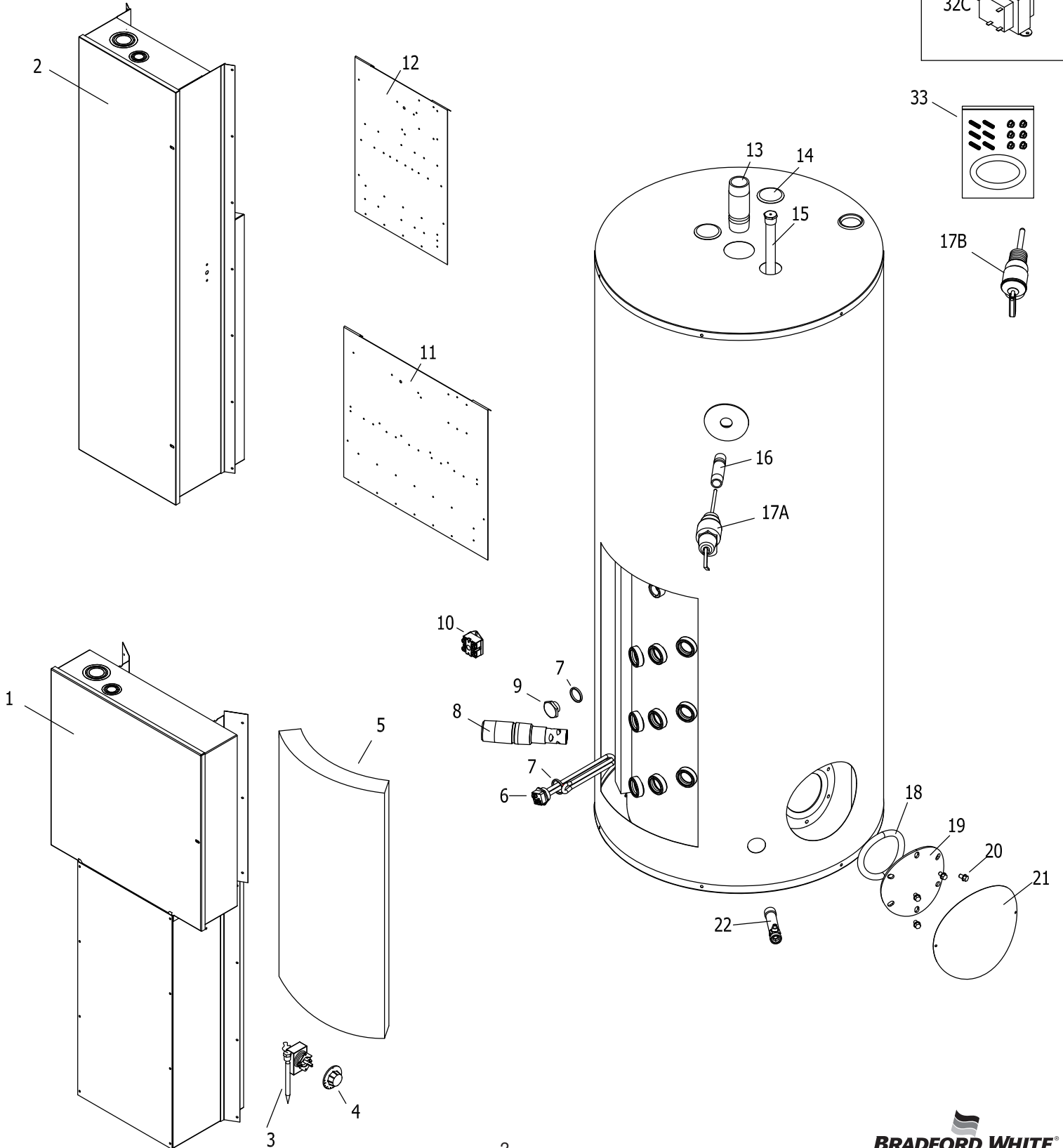
Dimensions and specifications
subject to change without notice.



As required by the state of California Proposition 65.

CONTROL PANEL PARTS

CONTACTORS	TERMINAL BLOCKS	FUSE BLOCKS			FUSES	GROUND LUG	TRANSFORMER
 <p>23</p>	 <p>24</p>	 <p>25</p>	 <p>26</p>	 <p>27</p>	 <p>28 29 30</p>	 <p>31</p>	 <p>32A 32B 32C</p>



Item	Description	Model	Model	Model
		CEHD50(A)	CEHD80(A)	CEHD120(A)
1	Large Control Box	239-50581-00	239-50581-00	239-50581-00
2	Small Control Box	239-50576-00	239-50576-00	239-50576-00
3	Thermostat	264-33460-00	264-33460-00	264-33460-00
4	Thermostat Dial	264-33459-00	264-33459-00	264-33459-00
5	Element Insulation	226-50896-00	226-50896-00	226-50896-00
6	Heating Element ▲	See Element Table	See Element Table	See Element Table
7	Element Gasket	223-34019-00	223-34019-00	223-34019-00
8	Inlet Diptube	415-44731-00	415-44731-00	415-44731-00
9	Element Plug	223-34020-00	223-34020-00	223-34020-00
10	High Limit Switch	219-50925-00	219-50925-00	219-50925-00
11	Large Control Panel	239-50682-00	239-50682-00	239-50682-00
12	Small Control Panel	239-50575-00	239-50575-00	239-50575-00
13	Outlet Nipple	229-40913-01	229-40913-06	229-40913-06
14	Hole Cover	239-31547-02	239-31547-02	239-31547-02
15	Magnesium Anode #	415-47782-08	415-47782-08	415-47782-08
	Aluminum Anode #	415-38508-10	415-38508-10	415-38508-10
	A420 Aluminum Anode #	415-49559-04	415-49559-04	229-49559-04
16	3/4 NPT Nipple	229-32762-09	229-32762-09	229-32762-09
17A	Temperature & Pressure Relief Valve Female Thread ♦	415-32920-04	415-32920-04	415-32920-04
17B	Temperature & Pressure Relief Valve Male Thread ♦	415-30246-00	415-30246-00	415-30246-00
18	Cleanout O-Ring	205-18427-00	205-18427-00	205-18427-00
	Cleanout Gasket (ASME)	205-32942-00	205-32942-00	205-32942-00
19	Cleanout Cover	205-18428-00	205-18428-00	205-18428-00
	Cleanout Cover (ASME)	205-32941-00	205-32941-00	205-32941-00
20	Cleanout Screw 5/16-18x3/4 (6 Req'd)	239-32970-00	239-32970-00	239-32970-00
21	Jacket Cleanout Cover	243-20299-00	243-20299-00	243-20299-00
22	Drain Valve	415-42351-04	415-42351-04	415-42351-04
23	Contactors	264-41988-01	264-41988-01	264-41988-01
24	Terminal Block	264-32245-00	264-32245-00	264-32245-00
25	Fuse Block 2 Pole (3A)(208V/240V/277V/380V/415V/480V/600V)	264-53307-00	264-53307-00	264-53307-00
26	Fuse Block 3 Pole (40A)(208V/240V/277V/380V/415V/480V)	264-32264-00	264-32264-00	264-32264-00
27	Fuse Block 3 Pole (40A)(600V)	264-41975-00	264-41975-00	264-41975-00
28	Fuse Slow Blow "CC" Class (3A)(208V/240V/277V/380V/415V/480V/600V)	264-53306-00	264-53306-00	264-53306-00
29	Fuse Fast Blow "G" Class (40A)(208V/240V/277V/380V/415V/480V)	264-32267-00	264-32267-00	264-32267-00
30	Fuse Fast Blow "T" Class (40A)(600V)	264-41976-02	264-41976-02	264-41976-02
31	Ground Lug	264-32250-00	264-32250-00	264-32250-00
32A	Transformer (208V/240V/480V)*	415-41994-01	415-41994-01	415-41994-01
	Transformer (277V/380V/415V)*	415-41994-02	415-41994-02	415-41994-02
32B	Transformer (208V/240V/480V)*	415-41995-01	415-41995-01	415-41995-01
	Transformer (277V/380V/415V)*	415-41995-02	415-41995-02	415-41995-02
32C	Transformer (600V)*	415-41996-00	415-41996-00	415-41996-00
33	Kit-Cleanout (Not For Use With ASME Tanks)	415-54256-00	415-54256-00	415-54256-00

Anode may need to be cut to length, please see page 4 reference chart of anode length by model.

♦ 17A for 3 element models only, 17B for 6 and 9 element models.

* 32A for 3 element models only, 32B for 6 and 9 element models. 32C for all 600V models.

Heating Elements (Incoloy)

Wattage	208 Volt	240 Volt	277 Volt	380 Volt	415 Volt	480 Volt	600 Volt
2000W	415-42545-14	415-42545-02	415-42547-07	415-51868-15	415-42551-12	415-42553-01	415-44340-01
3000W	415-42545-12	415-42545-15	415-42545-15	415-42551-10	415-42551-13	415-42553-08	415-44340-02
4000W	415-42545-17	415-42545-12	415-42547-03	415-42551-16	415-42551-14	415-42553-03	415-44340-03
4100W	415-42543-07	415-42545-21	415-42547-17	---	---	415-42553-16	---
4500W	415-42545-19	415-51328-07	415-42547-12	415-42551-17	415-42551-15	415-42553-11	415-44340-04
5000W	415-42543-04	415-42545-18	415-42547-15	415-42551-18	415-42551-16	415-42553-12	415-44340-05
6000W	415-42543-06	415-42545-19	415-42547-14	415-42549-05	415-42551-18	415-42553-14	415-44340-06

▲ Element gaskets included with elements.

Reference Chart of Anode Length by Model

Model	Hex Head Anode Cut Length (End to end)	
	Inches	Millimeters
CEHD50(A)	40	1016
CEHD80(A)	47	1194
CEHD120(A)	47	1194



United States

Sales 800-523-2931

Technical Support 800-334-3393

Email techserv@bradfordwhite.com

Warranty 800-531-2111

Email warranty@bradfordwhite.com

Service Parts 800-538-2020

Email parts@bradfordwhite.com

Canada

Sales & Technical Support 866-690-0961 905-203-0600

Fax 905-636-0666

Warranty bwccwarranty@bradfordwhite.com

Technical Support bwccotech@bradfordwhite.com

Service Parts orders@bradfordwhitecanada.com

Orders ca.orders@bradfordwhite.com

For U.S. and Canada field service,
contact your professional installer or
local Bradford White sales representative.

International

General Contact international@bradfordwhite.com