



WELL CAPS

Figure 1 - Standard Turtle® Cap

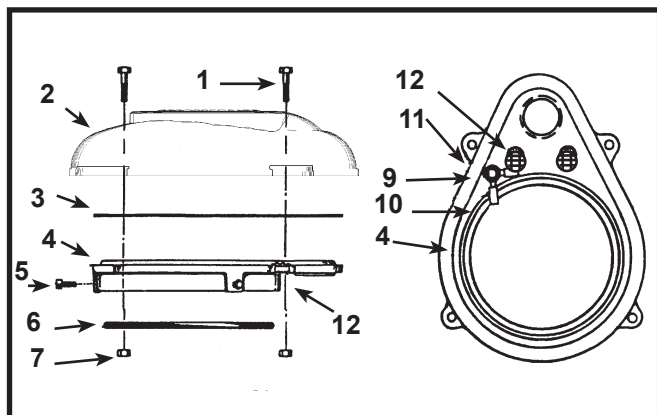


Figure 2 - Std. Turtle® Cap w/PVC Adapter

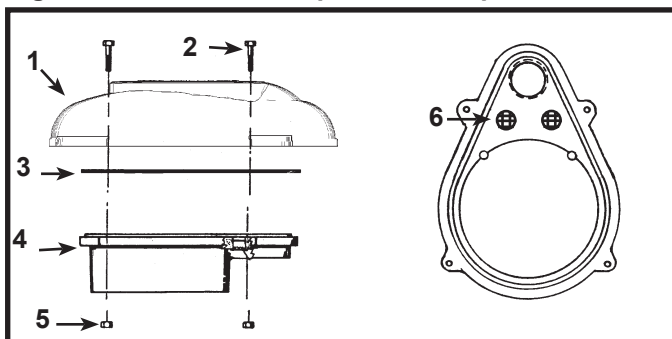


Figure 1 - Standard Turtle® Cap

Model No.		4WE1	4.5WE1	5WE1	5.5WE1	6WE1 & 1.2	6.5WE11.2	6.9WE11.2	7WE11.2
Item	Qty	Description	Ord. No.	Ord. No.	Ord. No.	Ord. No.	Ord. No.	Ord. No.	Ord. No.
1	4	Cap Screw 1/4-20NCX1"	PS550S	PS550S	PS550S	PS550S	PSPS550S	PS550S	PS550S
2	1	Seal Cap	PS5441	PS5451	PS5451	PS5461	PS5461	PS5471	PS5471
3	1	Seal Cap Gasket	PS564	PS565	PS565	PS566A	PS566A	PS567	PS567
4	1	Retainer Ring Assembly Includes Item #5 & 12	PS594	PS594.5	PS595	PS595.5	PS596 PS5961.2*	PS59651.2	PS5971.2
5	3	Set Screw 1/4-20NC	PS586	PS586	PS586	PS588	PS586	PS586	PS587
6	1	Seal O-Ring	PS574A	SE2429N70	PS575A	UC15	PS576A	SE2441E70	PL87
7	4	Hex Nut 1/4-20NC	FM7S	FM7S	FM7S	FM7S	FM7S	FM7S	FM7S
9	1	Washer 1/4" S.S.	PS536	PS536	PS536	PS536	PS536	PS536	PS536
10	2	Wire Terminal	PS537	PS537	PS537	PS537	PS537	PS537	PS537
11	1	Cap Screw 1/4-20NC X 1/2 L.	PS535	PS535	PS535	PS535	PS535	PS535	PS535
12	2	Screened Vent	PS585	PS585	PS585	PS585	PS585	PS585	PS585
--	1	Bag Assembly, includes Item #1, 7, 9, 10 & 11	WE1	WE1	WE1	WE1	WE1	WE1	WE1

*With 1 1/4" Conduit

Figure 2 - Std. Turtle® Cap w/PVC Adapter

Model No.		4WE1P	5WE1P	6WE1P	
Item	Qty	Description	Ord. No.	Ord. No.	Ord. No.
1	1	Seal Cap	PS5441	PS5451	PS5461
2	4	Cap Screw-1/4X20UNCX1"-18.8 S.S.	PS550S	PS550S	PS550S
3	1	Gasket	PS564	PS565	PS566A
4	1	Cap Adapter, PVC-includes #6	PS464FRO	PS465FRO	PS466FRO
5	4	1/4" SS Hex. Head Nut	FM7S	FM7S	FM7S
6	2	Screened Vent	PS585	PS585	PS585
--	1	Bag assembly-includes Item #2 & 5	WE1P	WE1P	WE1P

INSTALLATION INSTRUCTIONS FOR STD. TURTLE® CAP ONLY: Stretch O-Ring over casing, flush with the top. Place retainer ring, with set screws retracted, over O-Ring. Be sure set screws do not project and cut into O-Ring. Push down until O-Ring rolls against shoulder. Tighten set screws evenly. **DO NOT OVER TIGHTEN.** The well cap needs to be bonded to the system ground per applicable NEC or local electrical codes. Any questions about grounding should be directed to a licensed electrician. Do not position wire terminals over vent opening. Position gasket onto retainer ring and bolt cap on securely.

Follow Standard Procedure for Solvent Welding PVC Base Ring.



Figure 1 - Plastic Turtle® Cap for Steel Casing

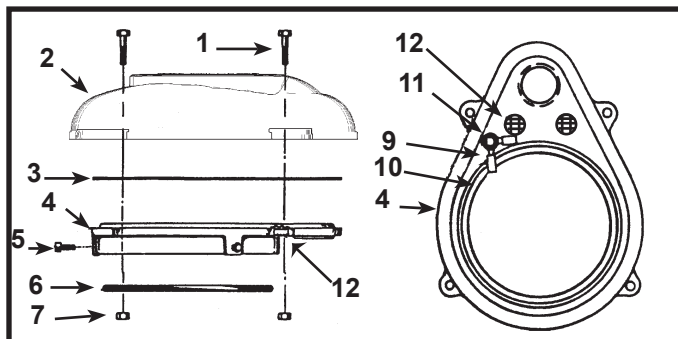


Figure 2 - Plastic Turtle® Cap w/PVC Adapter

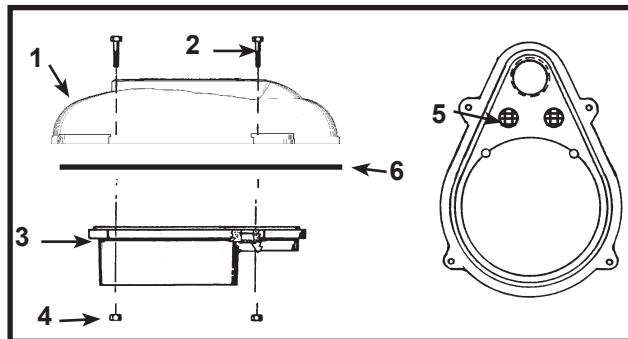


Figure 1 - Plastic Turtle® Cap for Steel Casing

Model No.			4PM1	4.5PM1	5PM1	5.5PM1	6PM1 & 11.2
Item	Qty	Description	Ord. No.	Ord. No.	Ord. No.	Ord. No.	Ord. No.
1	4	Cap Screw 1/4-20NCX1"	PS550S	PS550S	PS550S	PS550S	PS550S
2	1	Seal Cap	PS5441P	PS5451P	PS5451P	PS5461P	PS5461P
3	1	Gasket	PS564	PS565	PS565	PS566A	PS566A
4	1	Retainer Ring Asmb., inc. #5 & 12	PS594	PS594.5	PS595	PS595.5	PS596
5	3	Set Screw 1/4-20NC	PS586	PS586	PS586	PS588	PS586
6	1	Seal O-Ring	PS574A	SE2429N70	PS575A	UC15	PS576A
7	4	Hex Nut 1/4-20NC	FM7S	FM7S	FM7S	FM7S	FM7S
9	1	Washer 1/4" S.S.	PS536	PS536	PS536	PS536	PS536
10	2	Wire Terminal	PS537	PS537	PS537	PS537	PS537
11	1	Cap Screw 1/4-20NC X 1/2 L.	PS535	PS535	PS535	PS535	PS535
12	2	Screened Vent	PS585	PS585	PS585	PS585	PS585
--	1	Bag Asmb., includes #1,7,9,10 & 11	WE1	WE1	WE1	WE1	WE1
		* with 1 1/4" Conduit					

Figure 2 - Std. Turtle® Cap w/PVC Adapter

Model No.			4PT1	5PT1	6PT1
Item	Qty	Description	Ord. No.	Ord. No.	Ord. No.
1	1	Seal Cap	PS5441P	PS5451P	PS5461P
2	4	Cap Screw-1/4X20NCX1	PS550S	PS550S	PS550S
3	1	Cap Adapter, PVC-includes #5	PS464FRO	PS465FRO	PS466FRO
4	4	1/4" SS Hex. Head Nut	FM7S	FM7S	FM7S
5	2	Screened Vent	PS585	PS585	PS585
--	1	Bag assembly-includes Item #2 & 4	WE1P	WE1P	WE1P
6	1	Gasket	PS564	PS565	PS566A

Note: () designates quantity for that unit.