



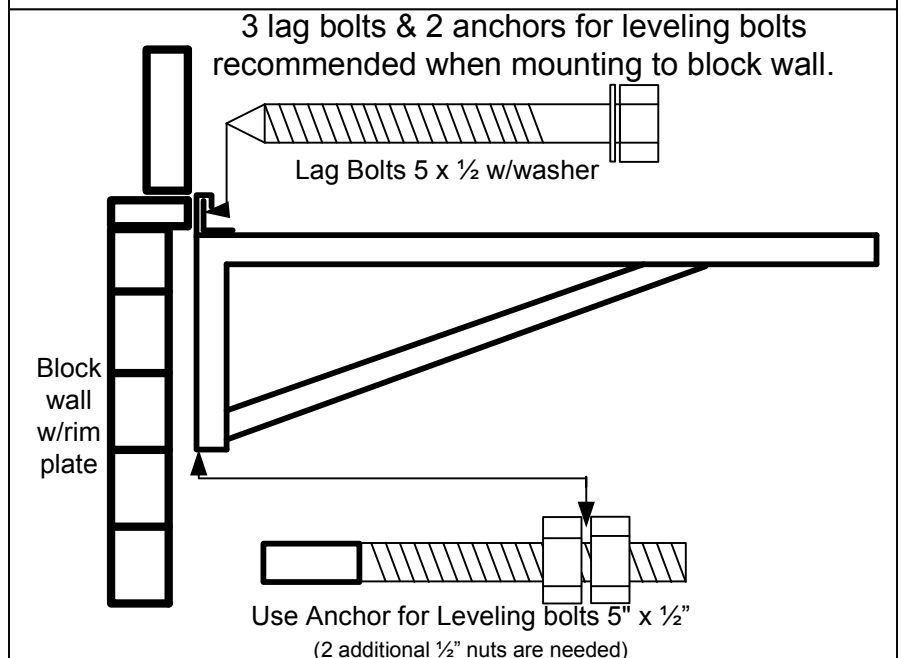
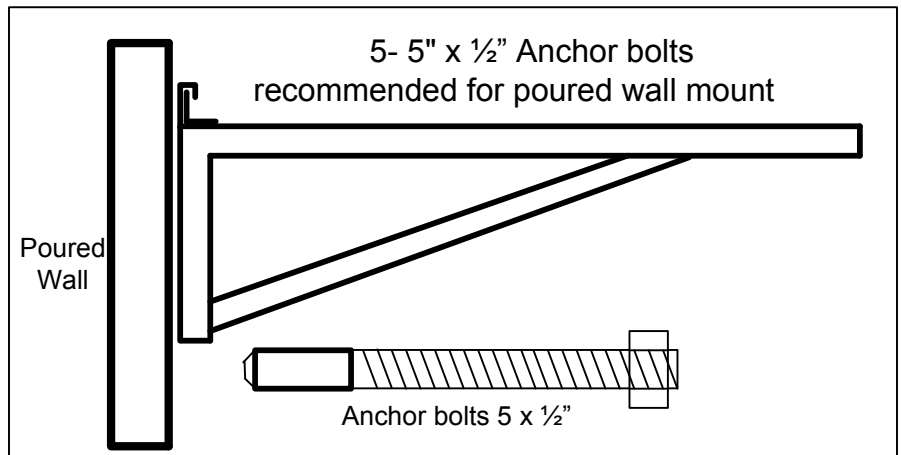
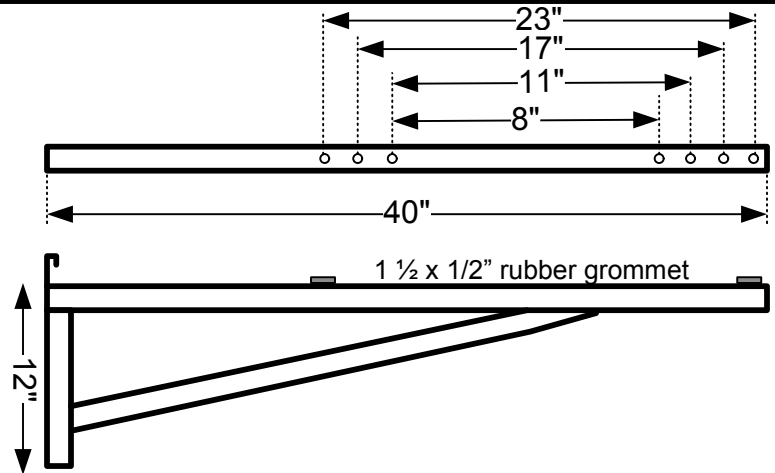
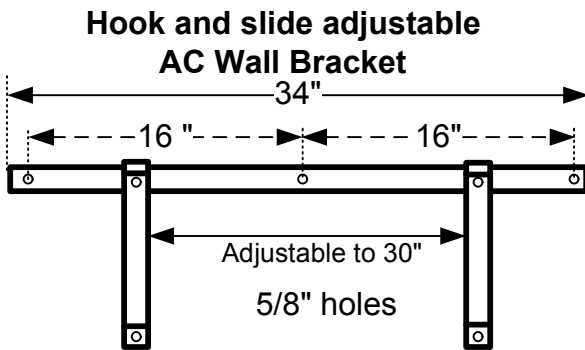
Supreme Stands
for HVAC Equipment

18550 County Rd. 81
Maple Grove, MN 55369
763-428-3677

Universal AC Wall Mounting Bracket (450 lb. max)

- Powder Coat Finish (rust resistant)
- Mounted on Rubber vibration eliminators
- Sturdy wall bracket
- 1 ½ Angle Iron
- Hardware included
- 72 per pallet

Part #ACWB40



Hardware Include:

- 4- 1 ½" x ½" rubber grommet
- 4- 1" x #10 Screws
- 4- 3/16" bonded washers
- 5- ½" x 5" anchor bolts w/washer (concrete mount)
- 3- ½" x 5" Lag bolts w/washer (wood mount)

Patent # _____ : 10/6/16