

B3180 - Standard Pipe Strap

Size Range: 1/2" (15mm) thru 8" (200mm) pipe

Material: Steel

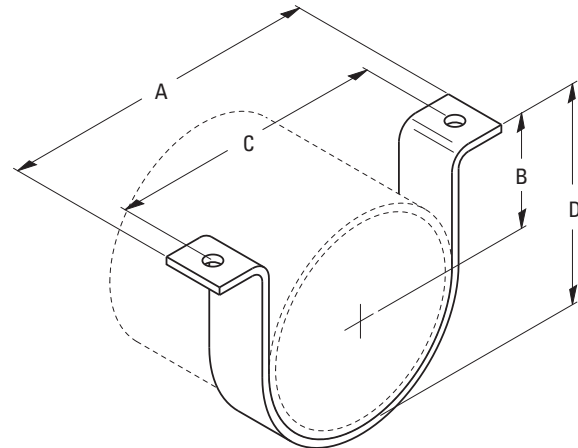
Function: Recommended for supporting pipe with fittings vertically or horizontally to walls or ceiling.

Approvals: Conforms to Federal Specification WW-H-171E & A-A-1192A, Type 26 and Manufacturers Standardization Society ANSI/MSS SP-69 & SP-58, Type 26.

Finish: Plain

Note: Available in Electro-Galvanized and HDG finish or Stainless Steel materials.

Order By: Part number, pipe size and material/finish



Part No.	Pipe Size in. (mm)	A in. (mm)	B in. (mm)	C in. (mm)	D in. (mm)	Hole Size in. (mm)	Max. Rec. Load Lbs. (kN)	Approx. Wt./100 Lbs. (kg)
B3180-1/2	1/2" (15)	3 7/8" (98.4)	3/4" (19.0)	3 1/16" (77.8)	1 5/32" (11.9)	7/16" (11.1)	410 (1.82)	16 (7.2)
B3180-3/4	3/4" (20)	4" (101.6)	1 3/16" (20.6)	3 1/8" (79.4)	1 5/16" (33.3)	7/16" (11.1)	410 (1.82)	21 (9.5)
B3180-1	1" (25)	4 9/16" (115.9)	7/8" (22.2)	3 3/8" (85.7)	1 1/2" (38.1)	7/16" (11.1)	410 (1.82)	26 (11.8)
B3180-1 1/4	1 1/4" (32)	4 15/16" (125.4)	1" (25.4)	3 3/4" (95.2)	1 7/8" (47.6)	7/16" (11.1)	410 (1.82)	30 (13.6)
B3180-1 1/2	1 1/2" (40)	5 3/16" (131.8)	1 3/16" (30.2)	4 1/4" (107.9)	2 1/8" (54.6)	7/16" (11.1)	410 (1.82)	33 (14.9)
B3180-2	2" (50)	5 3/4" (146.0)	1 7/16" (36.5)	4 3/4" (120.6)	2 5/8" (66.7)	7/16" (11.1)	410 (1.82)	38 (17.2)
B3180-2 1/2	2 1/2" (65)	6 1/4" (158.7)	1 11/16" (42.9)	5 1/4" (133.3)	3 1/8" (79.4)	7/16" (11.1)	610 (2.71)	102 (46.2)
B3180-3	3" (75)	6 7/8" (174.6)	2" (50.8)	5 7/8" (149.2)	3 3/4" (95.2)	7/16" (11.1)	610 (2.71)	118 (53.5)
B3180-3 1/2	3 1/2" (90)	7 3/8" (187.3)	2 1/4" (57.1)	6 3/8" (161.9)	4 1/4" (107.9)	7/16" (11.1)	610 (2.71)	130 (58.9)
B3180-4	4" (100)	8 3/8" (212.7)	2 1/2" (63.5)	7" (177.8)	4 3/4" (120.6)	9/16" (14.3)	725 (3.22)	159 (72.1)
B3180-5	5" (125)	9 7/16" (239.7)	3 1/16" (77.8)	7 7/8" (200.0)	5 13/16" (147.6)	9/16" (14.3)	725 (3.22)	191 (86.6)
B3180-6	6" (150)	10 1/2" (266.7)	3 5/8" (92.1)	8 7/8" (225.4)	6 7/8" (174.6)	9/16" (14.3)	725 (3.22)	234 (106.1)
B3180-8	8" (200)	14" (355.6)	4 5/8" (117.5)	11 1/2" (292.1)	9" (228.6)	1 1/16" (17.5)	900 (4.00)	446 (202.3)

All dimensions in charts and on drawings are in inches. Dimensions shown in parentheses are in millimeters unless otherwise specified.

Pipe Clamps

B2400 - Standard Pipe Strap

Size Range: 1/2" (15mm) thru 24" (600mm) pipe

Material: Steel

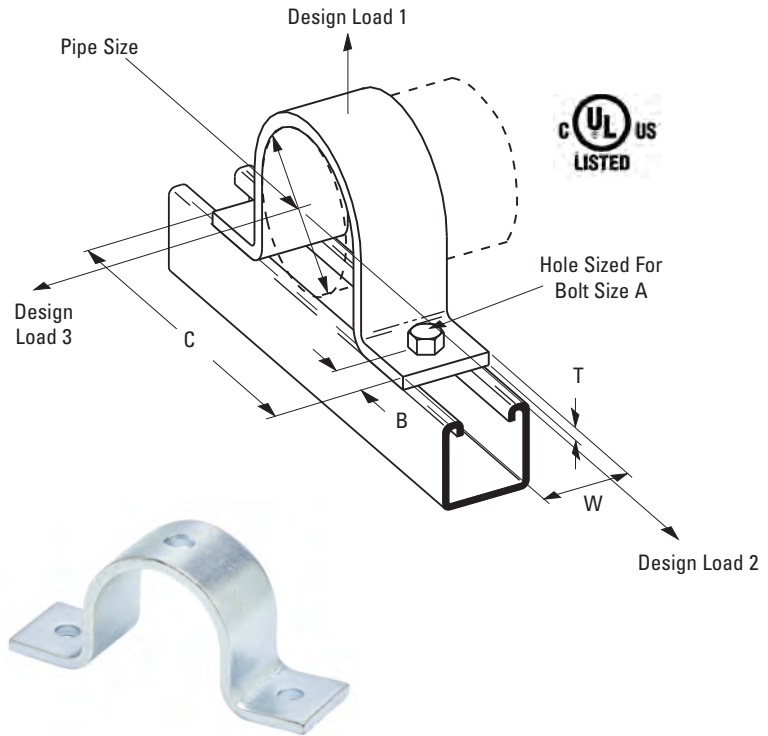
Function: Designed for supporting pipe runs from strut supports.

Approvals: Underwriters Laboratories Listed for B2400-3/4" thru B2400-8" for Design Load 1 only. Conforms to Federal Specification WW-H-171E & A-A-1192A, Type 26 and Manufacturers Standardization Society ANSI/MSS SP-69 & SP-58, Type 26.

Finish: Electro-Galvanized. Contact customer service for alternative finishes and materials.

Order By: Part number, pipe size and finish

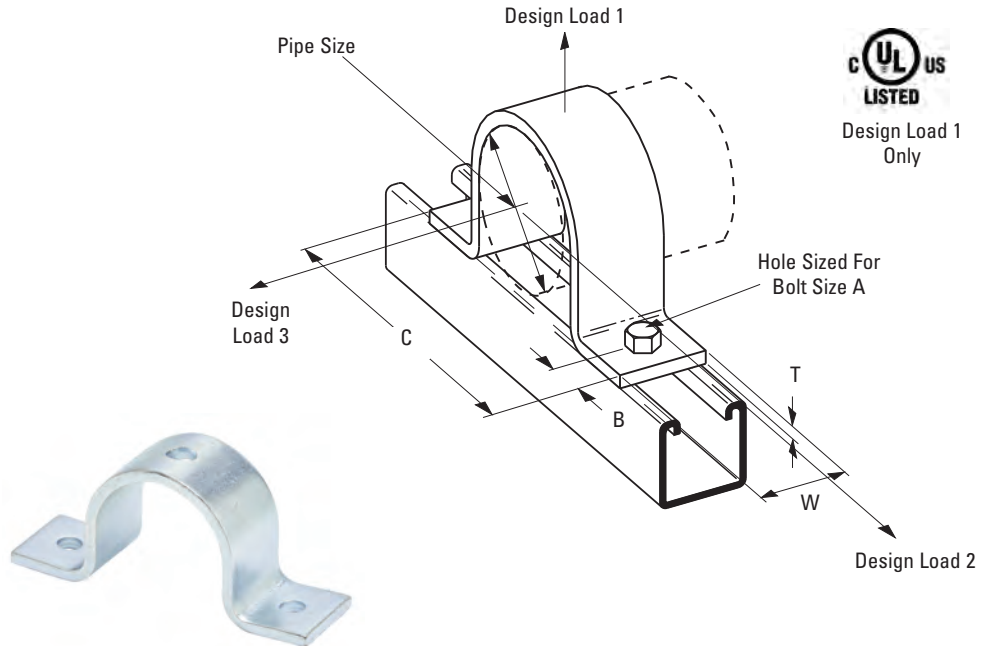
Note: Ductile iron sizes available. Special "B" dimensions available on request, consult factory.



Part No.	Pipe Size in. (mm)	Bolt Size A	B		C		T		W	
			in.	(mm)	in.	(mm)	in.	(mm)	in.	(mm)
B2400-1/2	1/2" (15)	1/4"	7/16"	(11.1)	2 ¹³ / ₁₆ "	(71.4)	10 Ga.	(3.4)	1 ⁵ / ₈ "	(41.3)
B2400-3/4	3/4" (20)	1/4"	7/16"	(11.1)	3"	(76.2)	10 Ga.	(3.4)	1 ⁵ / ₈ "	(41.3)
B2400-1	1" (25)	1/4"	7/16"	(11.1)	3 ¹⁷ / ₃₂ "	(89.7)	10 Ga.	(3.4)	1 ⁵ / ₈ "	(41.3)
B2400-1 1/4	1 1/4" (32)	1/4"	7/16"	(11.1)	3 ³ / ₄ "	(95.2)	10 Ga.	(3.4)	1 ⁵ / ₈ "	(41.3)
B2400-1 1/2	1 1/2" (40)	1/4"	7/16"	(11.1)	4 ¹ / ₁₆ "	(103.2)	10 Ga.	(3.4)	1 ⁵ / ₈ "	(41.3)
B2400-2	2" (50)	3/8"	1 1/16"	(17.4)	5 ²¹ / ₃₂ "	(143.6)	1/4"	(6.3)	1 ⁵ / ₈ "	(41.3)
B2400-2 1/2	2 1/2" (65)	3/8"	1 1/16"	(17.4)	6 ⁵ / ₃₂ "	(156.3)	1/4"	(6.3)	1 ⁵ / ₈ "	(41.3)
B2400-3	3" (80)	3/8"	1 1/16"	(17.4)	6 ²⁵ / ₃₂ "	(172.2)	1/4"	(6.3)	1 ⁵ / ₈ "	(41.3)
B2400-3 1/2	3 1/2" (90)	3/8"	1 1/16"	(17.4)	7 ⁹ / ₃₂ "	(184.9)	1/4"	(6.3)	1 ⁵ / ₈ "	(41.3)
B2400-4	4" (100)	1/2"	1 1/16"	(17.4)	7 ²⁵ / ₃₂ "	(197.6)	1/4"	(6.3)	1 ⁵ / ₈ "	(41.3)
B2400-5	5" (125)	1/2"	1 1/16"	(17.4)	8 ⁷ / ₈ "	(225.4)	1/4"	(6.3)	1 ⁵ / ₈ "	(41.3)
B2400-6	6" (150)	1/2"	1 1/16"	(17.4)	9 ¹⁵ / ₁₆ "	(252.4)	1/4"	(6.3)	1 ⁵ / ₈ "	(41.3)
B2400-8	8" (200)	1/2"	1 1/16"	(17.4)	11 ³¹ / ₃₂ "	(304.0)	1/4"	(6.3)	1 ⁵ / ₈ "	(41.3)
B2400-10	10" (250)	1/2"	1 1/16"	(17.4)	14"	(355.6)	1/4"	(6.3)	1 ⁵ / ₈ "	(41.3)
B2400-12	12" (300)	1/2"	1 1/16"	(17.4)	16"	(406.4)	1/4"	(6.3)	1 ⁵ / ₈ "	(41.3)
B2400-14	14" (350)	7/8"	1 5/16"	(33.3)	20 ³ / ₈ "	(517.5)	3/8"	(9.5)	1 3/4"	(44.4)
B2400-16	16" (400)	7/8"	1 5/16"	(33.3)	22 ³ / ₈ "	(568.3)	3/8"	(9.5)	1 3/4"	(44.4)
B2400-18	18" (450)	7/8"	1 5/16"	(33.3)	26 ¹ / ₈ "	(663.6)	1/2"	(12.7)	1 3/4"	(44.4)
B2400-20	20" (500)	7/8"	1 5/16"	(33.3)	28 ¹ / ₈ "	(714.4)	1/2"	(12.7)	1 3/4"	(44.4)
B2400-24	24" (600)	7/8"	1 5/16"	(33.3)	32 ¹ / ₈ "	(816.0)	1/2"	(12.7)	1 3/4"	(44.4)

All dimensions in charts and on drawings are in inches. Dimensions shown in parentheses are in millimeters unless otherwise specified.

B2400 - Standard Pipe Strap cont.



Part No.	Design Load 1		Design Load 2		Design Load 3		Approx. Wt./100	
	Lbs.	(kN)	Lbs.	(kN)	Lbs.	(kN)	Lbs.	(kg)
B2400-1/2	600	(2.67)	150	(.67)	105	(.47)	23	(10.4)
B2400-3/4	600	(2.67)	150	(.67)	105	(.47)	26	(11.8)
B2400-1	600	(2.67)	150	(.67)	120	(.53)	31	(14.0)
B2400-1 1/4	600	(2.67)	150	(.67)	120	(.53)	36	(16.3)
B2400-1 1/2	600	(2.67)	150	(.67)	120	(.53)	39	(17.7)
B2400-2	1200	(5.34)	480	(2.14)	180	(.80)	93	(42.2)
B2400-2 1/2	1200	(5.34)	480	(2.14)	180	(.80)	106	(48.1)
B2400-3	1200	(5.34)	480	(2.14)	300	(1.33)	132	(59.9)
B2400-3 1/2	1200	(5.34)	480	(2.14)	300	(1.33)	151	(68.5)
B2400-4	1500	(6.67)	600	(2.67)	450	(2.00)	160	(72.6)
B2400-5	1500	(6.67)	600	(2.67)	450	(2.00)	192	(87.1)
B2400-6	1500	(6.67)	600	(2.67)	450	(2.00)	219	(99.3)
B2400-8	2000	(8.90)	800	(3.56)	600	(2.67)	297	(134.7)
B2400-10	2000	(8.90)	800	(3.56)	600	(2.67)	465	(210.9)
B2400-12	2000	(8.90)	800	(3.56)	600	(2.67)	560	(254.0)
B2400-14	2000	(8.90)	800	(3.56)	600	(2.67)	761	(345.2)
B2400-16	2000	(8.90)	800	(3.56)	600	(2.67)	861	(390.5)
B2400-18	2000	(8.90)	800	(3.56)	600	(2.67)	1297	(588.3)
B2400-20	2000	(8.90)	800	(3.56)	600	(2.67)	1426	(646.8)
B2400-24	2000	(8.90)	800	(3.56)	600	(2.67)	1682	(762.9)

All dimensions in charts and on drawings are in inches. Dimensions shown in parentheses are in millimeters unless otherwise specified.