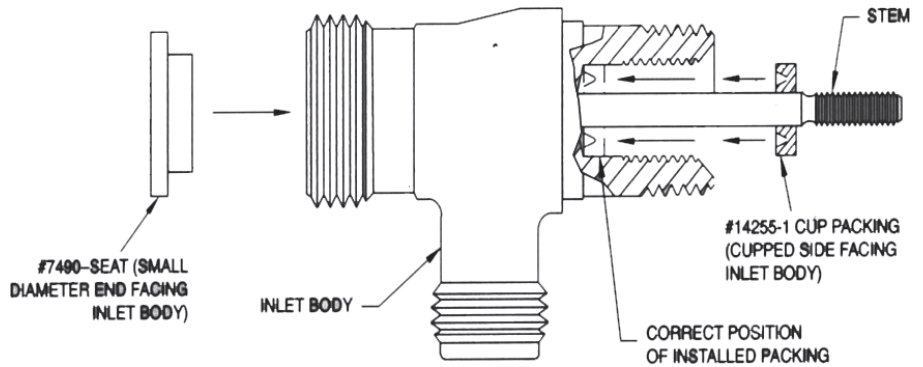


SPRAY GUN & TIP



Product Data Sheet



Standard Construction

Material: Nickel-plated steel valve body with aluminum handle (23h-ss features stainless steel inlet body and tip retainer)

Features

- Pressure rating of 250 psi.
- Insulated gum handle.
- Flow rates up to 5 gpm.

Packaging

1 PER BOX

Guarantee

All Elgen products are guaranteed by Elgen Manufacturing against defective material.

Elgen Manufacturing
10 Railroad Ave, Closter NJ 07624
Tel: 800.503.9805 :: Fax: 201.964.9030
info@elgenmfg.com :: www.elgenmfg.com