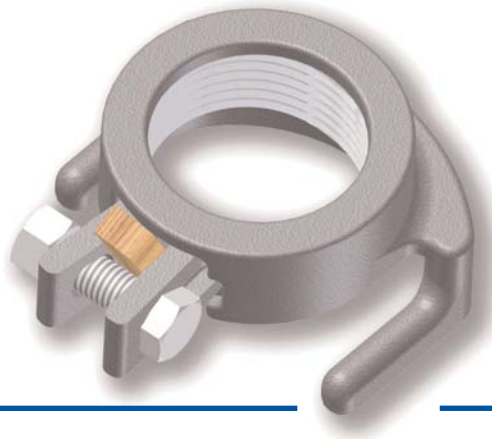


FITTINGS

KNUCKLE JOINT RESTRAINT

1 1/2", 2", 2 1/2", 3" and 4"

**For HARCO
Push-On
Ductile Iron
Fittings for
IPS-PVC Pipe**



The Knuckle Joint Restraint by HARCO provides an easy to use, economical option for thrust restraint of HARCO small diameter push-on ductile iron fittings for IPS-PVC pipe.

The unique, two-piece design handles as one piece and permits a one-bolt actuation. The restraint is mounted on the fittings so that the bolt is accessed from the top, making for ease of

installation and inspection. Mechanical serrations in the grip ring assure proper gripping of the pipe. No restraint rods or bolts are required.

Once the Knuckle Restraint is mounted, simply push home the beveled PVC pipe, having applied pipe lube to the gasket and pipe spigot. Tighten the bolt that clamps the grip ring onto the pipe and the joint is securely restrained.

**DUCTILE
IRON**

*Easy to
Install*

*Handled as
One Unit*

*One-Bolt
Actuation*

*Machined
Grip ring
Serrations*

Economical



HARRINGTON CORPORATION • P.O. BOX 10335 • LYNCHBURG, VIRGINIA 24506

PHONE: 434-845-7094 • FAX: 434-845-8562 • E-MAIL: sales@harcofittings.com • WEB: www.harcofittings.com

PF128-080610

Knuckle Joint Restraint

for 1½", 2", 2½", 3" and 4"

HARCO Push-On Ductile Iron Fittings

Product Sheet

Product Information

KNUCKLE JOINT RESTRAINT		
SIZE	PART NUMBER	WEIGHT
1½	60-100-01	2.4
2	60-100-02	2.6
2½	60-100-25	3.4
3	60-100-03	4.3
4	60-100-04	5.7



Material

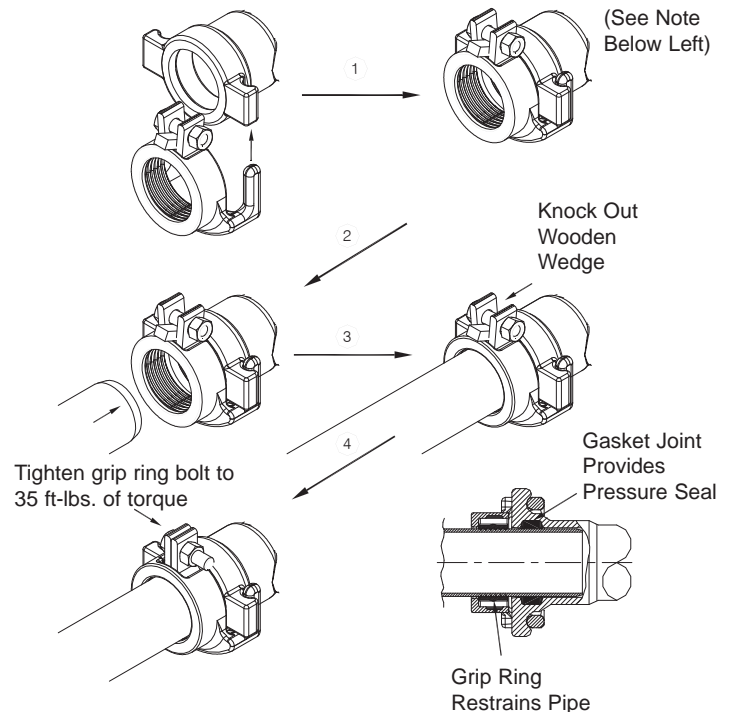
Housing – Ductile Iron, ASTM A536
Grip ring – Ductile Iron, ASTM A536
Bolt and nut – Type 304 Stainless Steel

Suggested Specifications

Joint Restraint shall be knuckle type as manufactured by HARCO (Harrington Corporation) of Lynchburg, Virginia. The grip ring shall be one piece residing within a ductile iron housing having machined serrations and shall be activated by one bolt. Housing and grip ring shall be of ductile iron to ASTM A536. Bolt and nut shall be Type 304 stainless steel.

NOTE (May 2004): Earlier versions of ears on HARCO bells varied slightly in thickness. If fingers on knuckle do not easily slide over ears, back of ears can be ground to provide clearance.

Installation



HARRINGTON CORPORATION • P.O. BOX 10335 • LYNCHBURG, VIRGINIA 24506

PHONE: 434-845-7094 • FAX: 434-845-8562 • E-MAIL: sales@harcofittings.com • WEB: www.harcofittings.com

PF128-080610