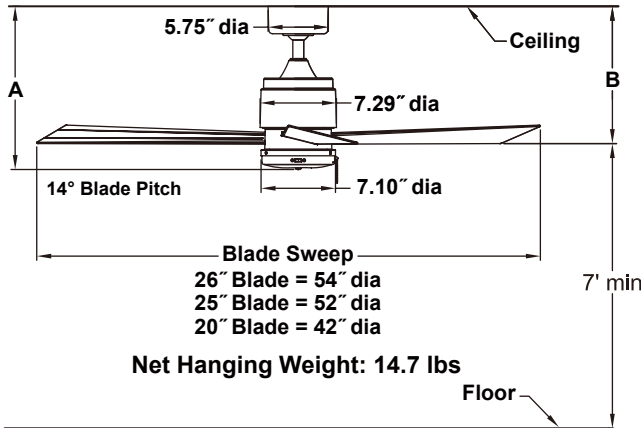
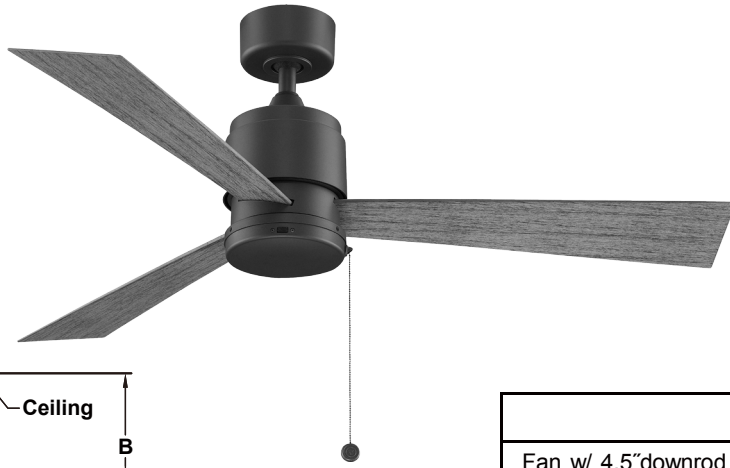


**ZONIX™ WET**

**FP4640B\*\***

**52" Wet Location Fan**



	A	B
Fan w/ 4.5" downrod	15.57"	13.09"
Fan w/12" downrod	23.07"	20.59"
Fan w/18" downrod	29.07"	26.59"
Fan w/24" downrod	35.07"	32.59"
Fan w/36" downrod	47.07"	44.59"
Fan w/48" downrod	59.07"	56.59"
Fan w/60" downrod	71.07"	68.59"
Fan w/72" downrod	83.07"	80.59"

**INSTALLATION REQUIREMENTS:**

Fan must be attached to a securely anchored electrical junction box capable of withstanding a load of at least 35 lbs.

**ELECTRICAL REQUIREMENTS:**

Requires a grounded electrical supply line of 120 volts AC, 60 Hz, 15 amp circuit.

**MOTOR SPECS:**

153 x 18 AC motor is designed for optimal performance with this fan.

**BLADES:**

A set of three 25" all-weather composite blade set included. Optional sets of three 20" (BPW4442\*\*) composite blades are available and optional sets of three 26" composite blades are available in cherry (BPW4426CY) and walnut (BPW4426WA) finishes—sold separately.

**CONTROL OPTIONS:**

Optional CW5, CWRL4\*\*, WC1WH, WC2WH, WR500WH and WR501WH wall controls are available—sold separately. Optional BTR9, CRL4WH and CR500 remote controls with receiver unit and BTR9 and WRF50 receiver unit are available— sold separately. Instructions are provided with each control.

**LIGHTING OPTIONS:**

LK4640 or LK4640B – One 18 watt dimmable LED.

**DOWNROD OPTIONS:**

Fan comes with a 1" dia. x 4.5" long downrod (DR1-45). Optional wet-location downrods available in 12", 18", 24", 36", 48", 60" and 72" lengths. Fan can be mounted on a sloped ceiling up to 27°. Most sloped ceiling installations require a downrod longer than the standard 4.5" downrod. Optional sloped ceiling ball kits (SCB1-52) are available for slope angles greater than 27° and up to 42°. Optional close-b-ceiling kit is available as well—sold separately. Call technical support for more information.

**LOCATION USE:**

Fan is rated for dry, damp and wet locations.

Available Finishes		
Fan / Housing Assembly		Blades
BLW	Black	Black
DZW	Dark Bronze	Dark Bronze
GRW	Matte Greige	Weathered Wood
MWW	Matte White	Matte White
SLW	Silver	Silver

Airflow / Energy Efficiency Info (120V)					
Fan Speed	Max RPM	CFM	CFM / Watts	Amps	Watts
High	154	4571	86	0.44	53
Med	96	2665	119	0.28	22
Low	55	1487	186	0.17	8

Energy Guide FTC			
Power (W <sub>ave</sub> )	Total Air Delivery (CFM <sub>ave</sub> )	Estimated Yearly Energy Cost (\$)	Ceiling Fan Efficiency (CFM/W)
32	3125	9	98