



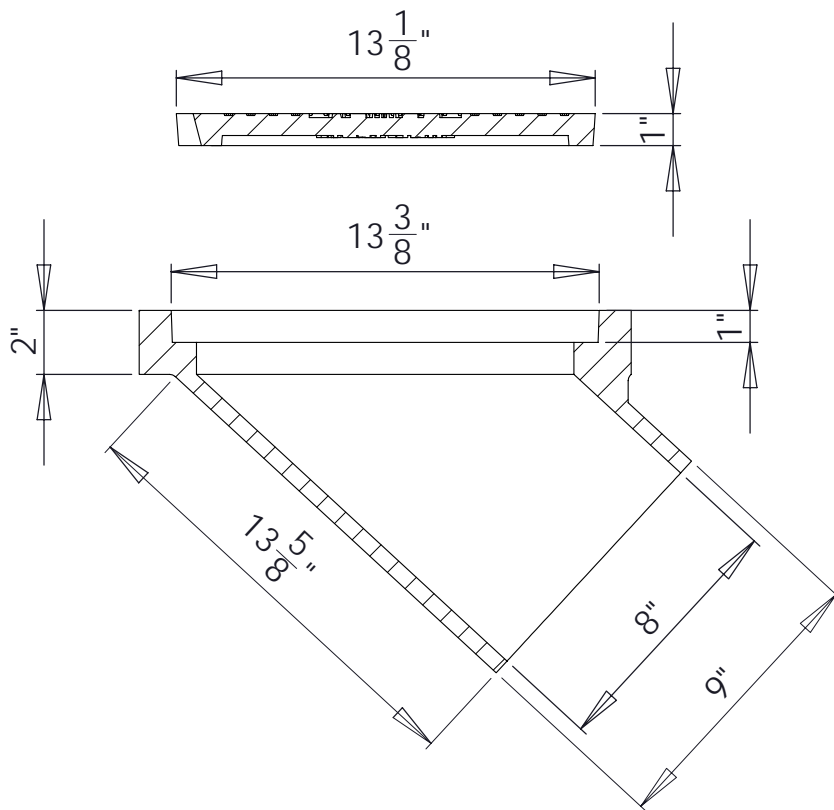
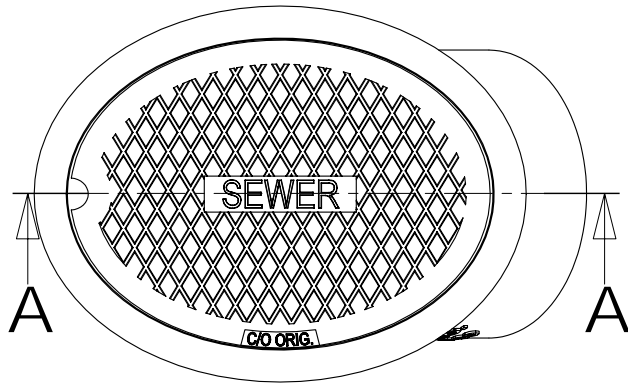
South Bay Foundry

WWW.SOUTHBAYFOUNDRY.COM

PHONE: (619) 956-2780 FAX: (619) 956-2788

SBF 1247

8" CLEANOUT SEWER



SET WEIGHT	
FRAME	65 LB
COVER	20 LB
TOTAL	85 LB

SECTION A-A

GENERAL INFORMATION

- *MATERIALS CONFORM TO ASTM A48 CLASS 35B
- *CASTINGS SHALL BE DIPPED IN BLACK BITUMINOUS PAINT
- *FRAME AND COVER MEETS H-20 WHEEL LOADING

APPROVED

BY:

TITLE:

AGENCY:

DATE: