



## HTAPRHTV Cane Touch Apron for HTV (Voyager™) Series

### GENERAL

The cane touch apron is an optional accessory designed to satisfy customer preference for symmetry on HTV bi-level units as the bottoms of the units are brought into line with each other. For use on all Halsey Taylor HTV Series units. When installed properly, all HTV units meet ADA requirements without the cane apron. Overall dimension: 15 1/2" W x 6 5/8" H x 9" D.

Note: Floor to underside measurements of cane apron equals 27" when mounted correctly, (24" for child ADA).

### KIT CONSISTS OF:

- Molded Gray Cane Apron
- Screws
- Installation instructions

NOTE: Continued product improvement makes specifications subject to change without notice. See Halsey Taylor website for most current spec sheet.

## Cane Touch Apron



HTAPRHTV Cane Apron shown installed on  
Halsey Taylor Model HTV8BL-Q

JOB NAME: \_\_\_\_\_

\_\_\_\_\_  
\_\_\_\_\_

ENGINEER/CONTRACTOR NAME:

\_\_\_\_\_

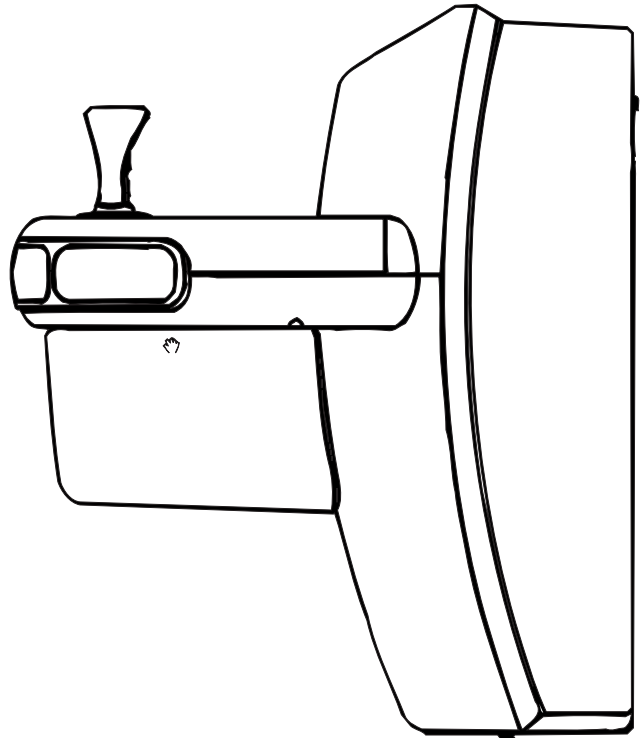
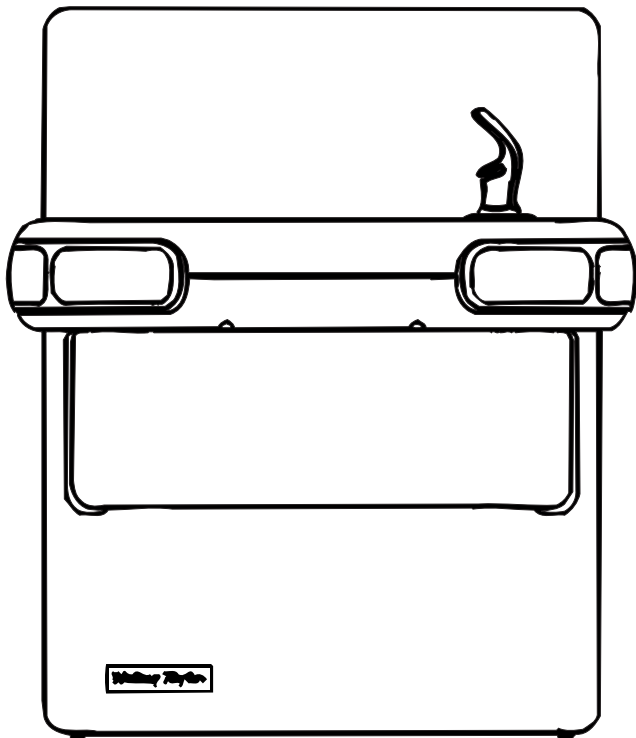
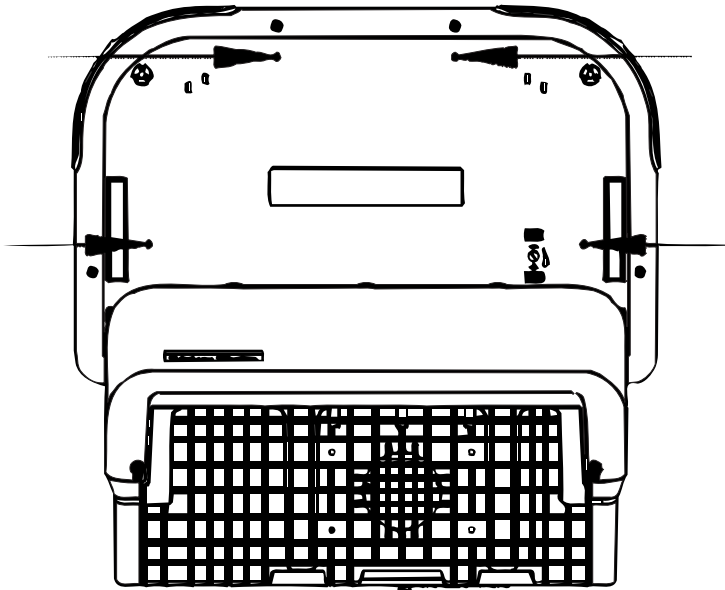
APPROVAL: \_\_\_\_\_

DATE: \_\_\_\_\_

---

## Cane Apron Installation

TO INSTALL PLACE THE CANE APRON UNDER THE DISPENSER BOTTOM AND HOLD IN PLACE. USING THE HOLES INDICATED BELOW FASTEN THE CANE APRON TO THE DISPENSER BOTTOM USING THE SCREWS PROVIDED.



FOR PARTS, CONTACT YOUR LOCAL DISTRIBUTOR OR CALL 1.800.323.0620