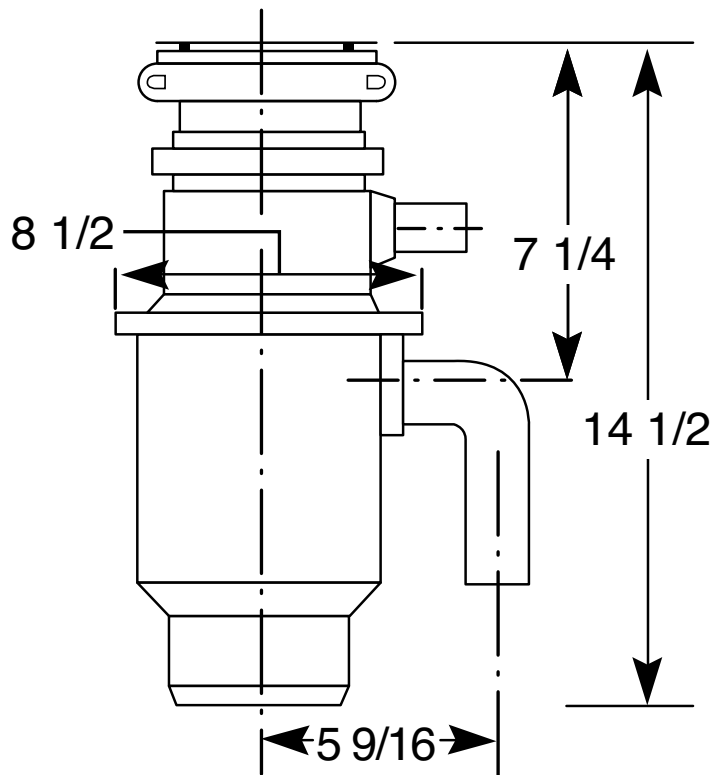




**GE Appliances**

## GFC1020V – GE® 1 Horsepower Continuous Feed Disposer

Disposall® Food Waste Disposer Dimensions (in inches)



Inlet/Outlet Diameters	
Dishwasher inlet diameter (in.)	3/4
Drain outlet diameter (in.)	1-1/2



For answers to your Monogram®, GE Profile™ or GE appliance questions, visit our website at [GEAppliances.com](http://GEAppliances.com) or call GE Answer Center® service, 800.626.2000.



**GE Appliances**

## **GFC1020V – GE® 1 Horsepower Continuous Feed Disposer**



### **Features and Benefits**

- 1 Horsepower Motor
  - Super Capacity Continuous Feed Disposer
  - Over 3500 RPM Grinding Action\*
  - Stainless Steel Jam Resistant, Dual Swivel Impellers
  - EZ mount installation
  - Direct Wire Power Connection
  - Sound Reduction Technology
  - Cold Rolled Carbon Steel Armature Shaft Material
  - SplashGuard
  - Wall Switch with Sink Stopper
  - Manual Reset Overload Protector
  - Dishwasher Drain Connector
  - Stainless Steel Sink Flange
  - Stainless Steel Turntable
  - 2 Level Precutter
  - Model GFC1020V
- \* Based on RPM testing of cleared GE and competitive models