



# K-105 14" SWING SPOUT SPLASH MOUNT FAUCET

Conforms To NSF 61/9 Lead Free Requirements



FAUCET AERATOR CONFORM TO  
ASTM.A112.18.1M • 1.0 GPM/3.8 LP  
THREAD: 55/64 - 27 FEMALE

Item #: \_\_\_\_\_ Qty #: \_\_\_\_\_  
 Model #: \_\_\_\_\_  
 Project #: \_\_\_\_\_

### FEATURES:

- 14" swing spout.
- 8" O.C. water supply.
- Quarter-turn wedge style handles.
- Colored hot & cold Indexes.
- 1.0 GPM/3.8 LPM Aerator. 60 PSI.

### MATERIAL:

- Brass chrome plated body & spout.
- Chrome plated handles.



Click This Link To  
View Assembly Sheet

## DIMENSIONS and SPECIFICATIONS

### Options & Accessories

#### Replacement Spout For K-105 Faucet

14" Swing Spout.



K-11SP

#### Replacement Cartridges For K-105 Faucet



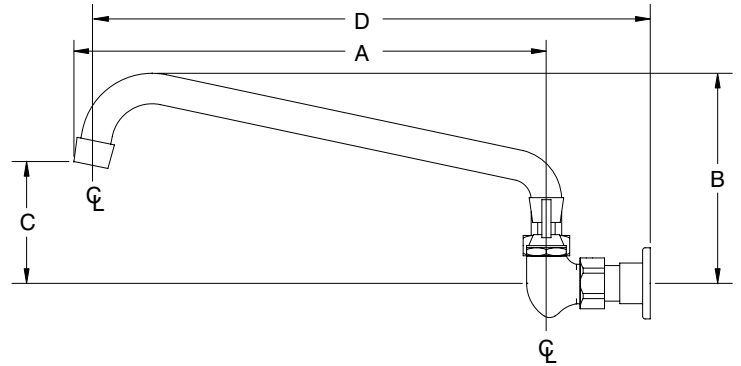
K-07 (Set)

#### Low Flow Aerator

.5 GPM



K-08



A Length	B Height	C	D	On Center Dimensions
14"	5"	3"	16"	8" O.C.

### ⚠ WARNING:

Faucet(s) on this page may expose you to chemicals, including lead, that are known to the State of California to cause cancer or birth defects or other reproductive harm. For more Info., visit [www.p65warnings.ca.gov](http://www.p65warnings.ca.gov).



Customer Service Available To Assist You **1-800-645-3166** 8:30 am - 8:00 pm E.S.T.

For Orders & Customer Service:

Email: [customer@advancetabco.com](mailto:customer@advancetabco.com) or Fax: 631-242-6900

For Smart Fabrication™ Quotes:

Email: [smartfab@advancetabco.com](mailto:smartfab@advancetabco.com) or Fax: 631-586-2933