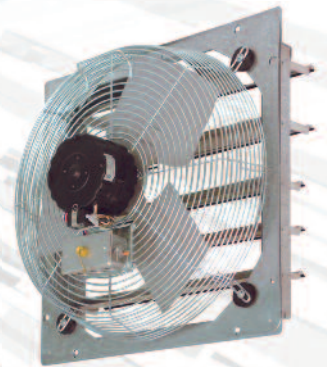
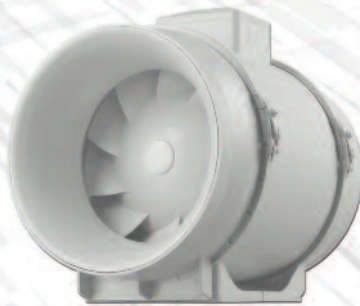
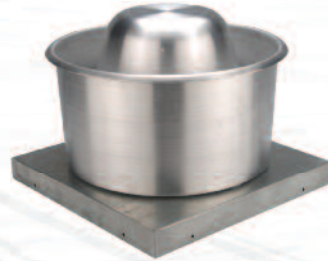


CFMTM
CONTINENTAL FAN

Wholesale Ventilation Products



... better AIRFLOW by DESIGN!

DUCT FANS

AXC IN-LINE DUCT FANS

AXC In-Line Duct Fans are designed for residential, commercial and light industrial ventilation applications. The quiet and efficient backward-curved motorized impeller is capable of developing significant pressure, and the in-line configuration simplifies installation.

FEATURES & BENEFITS

- Heavy gauge, drawn steel housing with baked epoxy finish
- 120V operation, other voltages available
- Easy to install - mounting brackets included
- May be mounted in any position
- Fans may be used to supply or exhaust air
- Suitable for air temperatures up to 140 F / 60 C
- Energy efficient - speed controllable (optional solid state speed control)
- Optional pre-wired with 120V power cord (AXC-C)
- Exceptionally quiet and efficient BC centrifugal motorized impeller
- External rotor motor design results in superior motor cooling and durability
- Permanently lubricated ball bearing motor for maintenance-free operation
- Automatic reset thermal overload protection
- Fan and motor are precision balanced for quiet and vibration-free operation
- Easily accessible, external junction box with pre-wired capacitor
- Available to fit duct sizes 4" - 14"; airflow capacities to 1,400 cfm



ACCESSORIES / OPTIONS

- Controls - pages 36-37
- Decorative grilles - page 38
- Accessories - pages 38-39

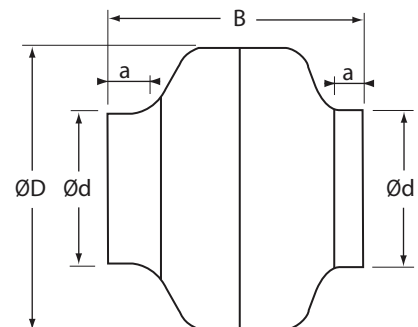
MODEL	WATTS	RPM	AIRFLOW PERFORMANCE (CFM)										DIMENSIONS IN INCHES*											
			0" SP	0.2" SP	0.4" SP	0.6" SP	0.8" SP	1.0" SP	1.2" SP	1.5" SP	2.0" SP	3.0" SP	MODEL	D	d	a	B	SHIP WT (LBS)						
AXC100A-ES	43.3	2580	147	130	107	82	57	34	11															
AXC100B	83.4	2620	150	140	127	112	94	74	53	23														
AXC125A-ES	44.4	2520	179	150	121	87	49	14																
AXC125B	85.4	2750	183	160	141	122	101	77	51	14														
AXC150A-ES	46.8	2390	235	190	148	97	44																	
AXC150B-ES	89.2	2450	308	260	216	175	139	108	81	47														
AXC200A-ES	84.5	2500	368	300	234	184	149	114	70															
AXC200B-ES	188	2550	579	520	453	387	329	282	245	206	154													
AXC250-ES	198	2470	616	550	488	431	379	330	286	227	143													
AXC300A-ES	206	2450	780	700	595	420	330	290	255	210	132													
AXC300B-ES	312	2780	970	910	803	680	559	453	367	273	164													
AXC355A	334	1360	1325	1150	960	790	660	550	430	238														
AXC355B	830	2900	1400	1370	1325	1250	1210	1135	1090	1000	880	675												

FOR PRE-WIRED WITH 120V POWER CORD, ADD -C TO MODEL.

*DO NOT USE FOR CONSTRUCTION
CONSULT FACTORY FOR CERTIFIED PRINTS

AXC models 100A through 300B are cULus listed
AXC models 355A and 355B are CSA listed to both US and Canadian standards

Products are HVI certified for airflow and power at 0.2" SP. HVI currently does not have a standard in place for testing the sound of a remote mounted fan. Many factors, such as ducting and fan location, can contribute to sound levels. Generally, a remote mounted fan should be quieter than a typical ceiling mounted fan.



AXP IN-LINE DUCT FANS

AXP In-Line Duct Fans are designed for residential, commercial and light industrial ventilation applications. The quiet and efficient backward-curved motorized impeller is capable of developing significant pressure, and the in-line configuration simplifies installation.

FEATURES & BENEFITS

- UV and corrosion resistant, durable plastic housing
- 120V operation, other voltages available
- Easy to install - mounting brackets included
- May be mounted in any position
- Fans may be used to supply or exhaust air
- Suitable for air temperatures up to 122 F
- Energy efficient - speed controllable (optional solid state speed control)
- Optional pre-wired with 120V power cord (AXP-C)
- Exceptionally quiet and efficient BC centrifugal motorized impeller
- External rotor motor design results in superior motor cooling and durability
- Permanently lubricated ball bearing motor for maintenance-free operation
- Automatic reset thermal overload protection
- Fan and motor are precision balanced for quiet and vibration-free operation
- Easily accessible, external junction box with pre-wired capacitor
- Available to fit duct sizes 4" - 12"; airflow capacity to 837 cfm



ACCESSORIES / OPTIONS

- Controls - pages 36-37
- Decorative grilles - page 38
- Accessories - pages 38-39

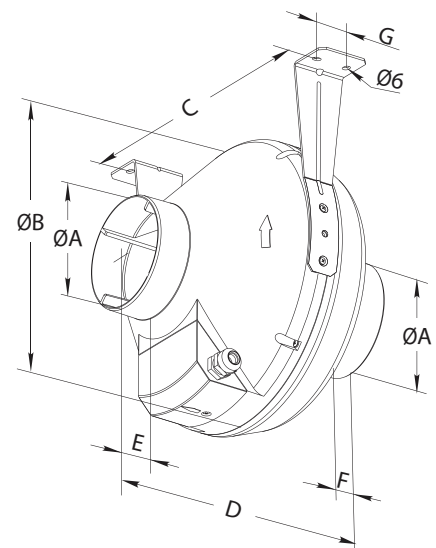
MODEL	RPM	WATTS	AIRFLOW PERFORMANCE (CFM)					
			0" SP	0.2" SP	0.5" SP	0.75" SP	1.0" SP	1.5" SP
AXP100	3088	106	162	150	134	120	104	67
AXP125	2960	114	235	214	178	151	123	72
AXP150	2907	113	317	289	247	212	178	68
AXP200	2650	142	583	544	462	390	320	196
AXP250	2604	293	735	675	588	507	432	307
AXP300	2741	271	837	772	659	564	474	307

MODEL	DIMENSIONS IN INCHES*								SHIP WT (LBS)
	DUCT DIA.	ØA	ØB	C	D	E	F	G	
AXP100	4"	3.9	9.8	10.6	9.1	1.2	1.1	1.2	7.0
AXP125	5"	4.9	9.8	10.6	8.7	1.2	1.1	1.2	7.0
AXP150	6"	5.9	11.8	12.2	11.3	1.2	1.2	1.2	8.0
AXP200	8"	7.9	13.4	13.9	10.9	1.2	1.2	1.6	9.0
AXP250	10"	9.8	13.4	13.9	10.4	1.2	1.2	1.6	12.0
AXP300**	12"	12.3	15.8	16.3	16.3	1.6	2.2	1.6	14.0

*DO NOT USE FOR CONSTRUCTION

CONSULT FACTORY FOR CERTIFIED PRINTS

**INCLUDES 2 DUCT REDUCERS TO FIT 12" DUCT



DUCT FANS

MFT MIXED FLOW IN-LINE FANS

MFT Mixed Flow In-Line Fans are designed for residential and light commercial ventilation applications. These compact, powerful, and quiet fans feature a durable UV resistant plastic housing and a two-speed motor.

FEATURES & BENEFITS

- UV and corrosion resistant, durable plastic housing
- Powerful, compact and quiet mixed flow impeller
- Easy to install - mounting brackets included
- May be mounted in any position
- Ideal for long duct runs
- Fans may be used to supply or exhaust air
- Suitable for air temperatures up to 140 F
- Optional pre-wired with 120V power cord (MFT-C)
- Energy efficient two-speed motor
- Single-phase asynchronous motor; IPX4 protection
- Permanently lubricated ball bearing motor for maintenance-free operation
- Automatic reset thermal overload protection
- Fan and motor are precision balanced for quiet and vibration-free operation
- Easy access to motor & impeller; no need to dismantle duct work
- Available to fit duct sizes 4" - 12"; airflow capacities to 1,051 cfm



ACCESSORIES / OPTIONS

- Controls - pages 36-37
- Decorative grilles - page 38
- Accessories - pages 38-39

MODEL	SPEED	RPM	WATTS	AIRFLOW PERFORMANCE (CFM)								
				0" SP	0.125" SP	0.2" SP	0.25" SP	0.5" SP	0.75" SP	1.0" SP	1.25" SP	1.5" SP
MFT100	High	3113	36.0	105	49	37	32	13	-	-	-	-
	Low	2818	29.5	62	41	30	23	2	-	-	-	-
MFT125	High	2600	41.0	126	112	99	46	-	-	-	-	-
	Low	2350	31.0	87	64	27	4	-	-	-	-	-
MFT150	High	2033	55.0	252	233	216	199	78	10	-	-	-
	Low	1386	29.0	167	129	75	61	21	-	-	-	-
MFT200	High	2116	111.0	473	450	432	420	352	254	89	-	-
	Low	1622	69.5	349	317	294	276	158	32	-	-	-
MFT250	High	2525	200.0	880	873	866	862	816	708	581	450	323
	Low	1925	130.0	655	646	630	620	480	330	230	115	10
MFT300	High	2419	353.0	1051	1020	999	986	914	838	746	632	500
	Low	1914	236.0	830	797	770	751	638	496	335	209	109

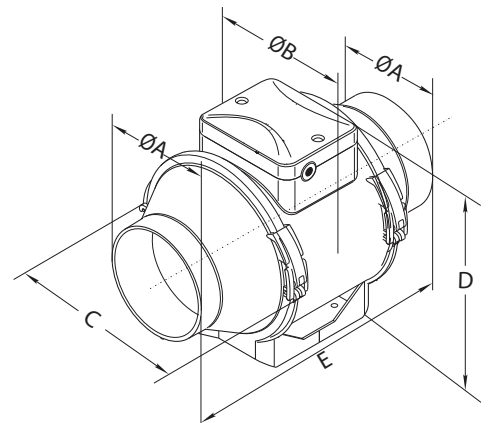
*FOR PRE-WIRED WITH 120V POWER CORD, ADD -C TO MODEL.

MODEL	DUCT DIA.	DIMENSIONS IN INCHES*					SHIP WT (LBS)
		ØA	ØB	C	D	E	
MFT100	4"	3.8	5.5	6.6	7.5	9.7	5.0
MFT125	5"	4.8	5.5	6.6	7.5	9.7	5.0
MFT150	6"	5.8	7.7	8.8	9.8	11.6	8.0
MFT200	8"	7.8	8.3	9.4	10.3	11.6	16.0
MFT250	10"	9.8	10.1	11.3	12.7	15.2	20.0
MFT300**	12"	12.3	12.7	14.3	16.1	22.9	27.0

*DO NOT USE FOR CONSTRUCTION

CONSULT FACTORY FOR CERTIFIED PRINTS

**INCLUDES 2 DUCT REDUCERS TO FIT 12" DUCT



MFT-S MIXED FLOW IN-LINE FANS

MFT-S Mixed Flow In-Line Fans are designed to be virtually silent. The specially designed housing is optimized with an aerodynamic diffuser and specially designed impeller to produce powerful pressure and airflow, while generating very little noise.

FEATURES & BENEFITS

- UV and corrosion resistant, durable plastic housing
- Virtually silent mixed flow fan aerodynamically designed for smooth airflow
- Easy to install - mounting brackets included
- May be mounted in any position
- Ideal for long duct runs
- Fans may be used to supply or exhaust air
- Suitable for air temperatures up to 140 F
- Optional pre-wired with 120V power cord (MFT-S-C)
- Energy efficient two-speed motor
- Single-phase asynchronous motor; IPX4 protections
- Permanently lubricated ball bearing motor for maintenance-free operation
- Automatic reset thermal overload protection
- Fan and motor are precision balanced for quiet and vibration-free operation
- Easy access to motor & impeller; no need to dismantle duct work
- Available to fit duct sizes 4", 5" & 6"; airflow capacities to 327 cfm



ACCESSORIES / OPTIONS

- Controls - pages 36-37
- Decorative grilles - page 38
- Accessories - pages 38-39

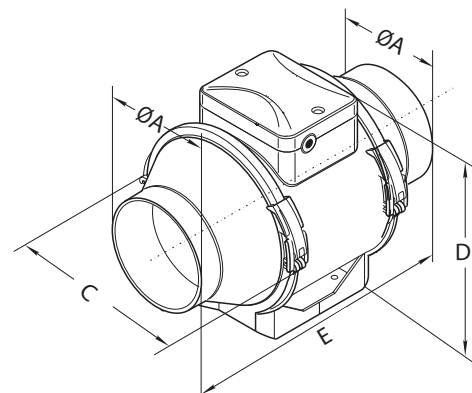
MODEL	SPEED	RPM	WATTS	AIRFLOW PERFORMANCE (CFM)										
				0" SP	0.1" SP	0.2" SP	0.3" SP	0.4" SP	0.5" SP	0.6" SP	0.7" SP	0.8" SP	0.9" SP	1.0" SP
MFT100S	High	1994	30	146	128	110	88	64	44	21	9	-	-	-
	Low	1500	24	109	88	68	47	22	10	-	-	-	-	-
MFT125S	High	2059	37	200	183	161	137	93	62	32	0	-	-	-
	Low	1360	25	132	106	80	51	13	-	-	-	-	-	-
MFT150S	High	2617	66	327	316	299	283	268	247	225	194	138	83	50
	Low	1933	52	240	219	194	171	134	111	86	57	27	7	-

*FOR PRE-WIRED WITH 120V POWER CORD, ADD -C TO MODEL.

MODEL	DIMENSIONS IN INCHES*					SHIP WT (LBS)
	DUCT DIA.	ØA	C	D	E	
MFT100S	4"	3.8	7.7	8.9	11.9	5.0
MFT125S	5"	4.8	7.7	8.9	10.2	5.0
MFT150S	6"	5.8	8.7	9.8	11.4	8.0

*DO NOT USE FOR CONSTRUCTION

CONSULT FACTORY FOR CERTIFIED PRINTS



DUCT FANS

EXT EXTERNAL MOUNT DUCT FANS

EXT External Mount Duct Fans offer the perfect solution when space restrictions prevent the use of in-line duct fans. EXT fans provide a simple through-the-wall solution, and can be mounted on the exterior of a building to allow for easy access to the fan.

FEATURES & BENEFITS

- Heavy gauge, galvanized steel housing with baked epoxy finish
- 120V operation
- May be mounted on the exterior of a building
- Enclosed motor housing for dust & lint
- Suitable for air temperatures up to 140 F / 60 C
- Energy efficient - speed controllable (optional solid state speed control)
- Rugged construction for long life
- Built-in backdraft damper
- Exceptionally quiet and efficient BC centrifugal motorized impeller
- External rotor motor design results in superior motor cooling and durability
- Permanently lubricated ball bearing motor for maintenance-free operation
- Automatic reset thermal overload protection
- Fan and motor are precision balanced for quiet and vibration-free operation
- Pre-wired capacitor
- Available to fit duct sizes in 4", 6", & 8"; airflow capacities to 445 cfm

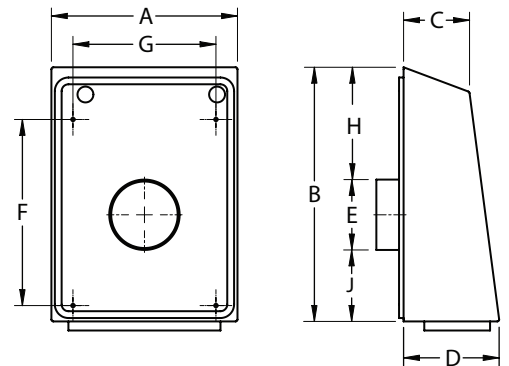


ACCESSORIES / OPTIONS

- Controls - pages 36-37
- Decorative grilles - page 38
- Accessories - pages 38-39

MODEL	WATTS	RPM	AIRFLOW PERFORMANCE (CFM)										
			0" SP	0.1" SP	0.2" SP	0.3" SP	0.4" SP	0.5" SP	0.8" SP	1.0" SP	1.3" SP	1.5" SP	2.0" SP
EXT100A	66	1560	118	101	91	84	72	62	44	28	16		
EXT100B	81	2260	177	163	155	150	140	125	100	72	47	26	
EXT150A	90	2436	227	202	194	186	174	162	130	85	21		
EXT150B	140	2830	396	373	359	350	326	311	268	232	190	149	66
EXT200A	140	2820	445	393	375	358	328	300	254	212	170	119	
EXT200B	186	2310	420	379	366	353	329	298	249	211	172	142	

MODEL	DIMENSIONS IN INCHES*									SHIP WT (LBS)
	A	B	C	D	E	F	G	H	J	
EXT100A	10.2	14.0	3.6	5.2	3.8	10.3	7.9	6.2	3.8	11.6
EXT100B	10.2	14.0	3.6	5.2	3.8	10.3	7.9	6.2	3.8	11.6
EXT150A	10.2	14.0	3.6	5.2	5.8	10.3	7.9	5.2	2.8	11.6
EXT150B	14.2	17.3	3.6	5.2	5.8	12.3	11.6	7.2	4.2	18.0
EXT200A	14.2	17.3	3.6	5.2	7.8	12.3	11.6	6.3	3.2	18.0
EXT200B	14.2	17.3	3.6	5.2	7.8	12.3	11.6	6.3	3.2	19.0



*DO NOT USE FOR CONSTRUCTION

CONSULT FACTORY FOR CERTIFIED PRINTS



MBI CENTRIFUGAL IN-LINE FANS

MBI Centrifugal In-Line Fans are designed for residential and light commercial ventilation applications. Multiple source ducting options offer the perfect solution for whole house ventilation in multi-unit housing complexes.

FEATURES & BENEFITS

- Steel housing with corrosion resistant finish
- 120V operation, other voltages available
- Removable fan cover for easy maintenance
- Easy to install - mounting brackets included
- Multiple source ducting options
- Fans may be used to supply or exhaust air
- Suitable for air temperatures from -13 F to 140 F
- Energy efficient - speed controllable (optional solid state speed control)
- Exceptionally quiet and efficient BC centrifugal motorized impeller
- Single-phase asynchronous external rotor motor
- Permanently lubricated ball bearing motor for maintenance-free operation
- Automatic reset thermal overload protection
- Fan and motor are precision balanced for quiet and vibration-free operation
- Easily accessible, external junction box with pre-wired capacitor
- Available to fit duct sizes 4", 5" & 6"; airflow capacities to 290 cfm

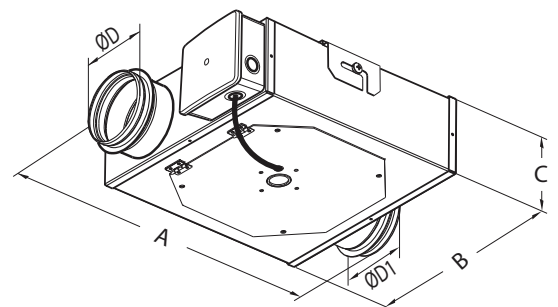


ACCESSORIES / OPTIONS

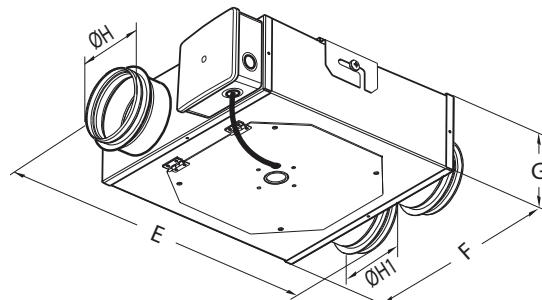
- Controls - pages 36-37
- Decorative grilles - page 38
- Accessories - pages 38-39

MODEL	RPM	WATTS	AIRFLOW PERFORMANCE (CFM)									
			0" SP	0.125" SP	0.2" SP	0.25" SP	0.50" SP	0.75" SP	1.0" SP	1.25" SP	1.5" SP	1.75" SP
MBI100	3090	105	147	143	139	137	123	110	99	90	76	56
MBI125	2920	113	173	169	165	162	147	126	106	85	58	30
MBI150	2020	110	221	214	206	200	171	145	120	92	65	36
MBI125/100	2920	117	232	225	219	216	197	173	148	125	99	73
MBI150/125	2155	110	290	273	262	252	211	178	146	114	84	57

DIMENSIONS IN INCHES*							
IN-LINE BOOSTER FAN							
MODEL	DUCT DIA.	A	B	C	ØD	ØD1	SHIP WT (LBS)
MBI100	4"	14.3	9.9	4.8	3.9	3.9	12.0
MBI125	5"	16.6	9.9	5.7	4.9	4.9	12.0
MBI150	6"	19.7	11.8	7.1	5.9	5.9	16.0



TWIN INTAKE FAN							
MODEL	DUCT DIA.	E	F	G	ØH	ØH1	SHIP WT (LBS)
MBI125/100	5" / 4"	16.6	9.9	5.7	4.9	3.9	12.0
MBI150/125	6" / 5"	19.7	11.8	7.1	5.9	4.9	16.0



*DO NOT USE FOR CONSTRUCTION

CONSULT FACTORY FOR CERTIFIED PRINTS



CONTROLS, GRILLES & ACCESSORIES

DFC DIGITAL FAN CONTROL

Indoor Air Quality (IAQ) has become an important part of our everyday lives. IAQ affects us in the workplace, schools and more significantly, in our homes. The American Society of Heating, Refrigeration and Air-Conditioning Engineers publishes ASHRAE 62.2, a standard that defines the minimum ventilation requirement and acceptable indoor air quality in low-rise residential buildings.

The DFC Digital Fan Control uses smart technology to address the requirements of ASHRAE 62.2, and it is capable of automatically calculating the airflow required to achieve acceptable indoor air quality. It is designed to provide increased ventilation control that is efficient and affordable. Its unique architecture offers a choice of five distinct modes of operation, allowing the control to be programmed to suit a user's preference and lifestyle. When combined with an AXC In-Line Duct Fan, the DFC Digital Fan Control provides an excellent way of meeting IAQ standards.

FEATURES & BENEFITS

- Easy to install
- Simple to program
- Convenient display with backlight
- User friendly icons
- Easy to read digital clock
- Automatic Daylight Savings Time function
- ASHRAE 62.2 ventilation standard
- Promotes proper Indoor Air Quality (IAQ)
- Ideal for home & bathroom ventilation
- Available in white or ivory
- Designed for single-speed fan operation
- Five year warranty



MODES OF OPERATION

The DFC Digital Fan Control allows the user to choose from five modes of operation:

1. Ventilation Mode



The Ventilation Mode is designed to achieve ASHRAE 62.2 acceptable indoor air quality. In this mode, the fan control operates on a 60-minute cycle, automatically determining the percentage of run time based on floor space, number of rooms and fan capacity. For example, if the fan is On for 15 minutes, it will be Off for 45 minutes.

2. Customized Cycle Mode



The Customized Cycle Mode allows the user to set the On and Off periods for the fan. Once selected, the control will cycle the fan automatically based on the user's preference.

3. Daily On/Off Mode



The Daily On/Off Mode allows the user to program the fan to turn On and Off once a day, at user-defined times.

4. Manual Mode



In the Manual Mode, the control operates the fan like a regular on/off switch. Simply pressing the main button turns the fan On or Off.

5. Countdown Mode



The Countdown Mode allows the fan to operate for any period between 10 and 60 minutes. At the end of the countdown period, fan operation will return to its prior programmed mode.

VENTILATION AIR REQUIREMENTS (CFM)

Bedrooms	Floor Area (ft ²)					
	< 1,500	1,501 - 3,000	3,001 - 4,500	4,501 - 6,000	6,001 - 7,500	> 7,500
0-1	30	45	60	75	90	105
2-3	45	60	75	90	105	120
4-5	60	75	90	105	120	135
6-7	75	90	105	120	135	150
>7	90	105	120	135	150	165

Table 4.1A, ASHRAE 62.2-2007

CONTROLS



VARIABLE SPEED CONTROLS (SOLID STATE)

VSC3 and VSC9 variable speed controls are designed for AC motors.

- VSC3 Variable Speed Control (Knob-Style) - 3 amp - 3 Wire
- VSC9 Variable Speed Control (Knob-Style) - 9 amp - 3 Wire
- DVSC5 Variable Speed Control (Decora Slide) - 5 amp



DIGITAL TIMERS

Time control auto shut off, in preset intervals, allows for proper ventilation and energy savings. The red LED indication light remains lit until the unit shuts off.

- DT60 Digital Timer 10 - 20 - 30 - 60 Minutes



SPRING WOUND TIMER

Spring wound timer provides energy savings by limiting the "on-time" of the fan, up to 60 minutes. CT timers are easily installed in a standard electrical box. Cover plate not included.

- CT100V Spring Wound Timer 0 - 1 Hour



ON/OFF SWITCH (W/PILOT LIGHT)

The neon light is ON when the switch is in the ON position. 15Amp, 120V Single Pole/ AC Switch. Cover plate not included.

- PLS120V ON/OFF Switch w/Pilot Light



OCCUPANCY SENSOR

Single relay occupancy sensor features 180 degree field of view with coverage up to 900 sq. ft. It turns the load on or off when activity is detected or has stopped.

- SOS125V Occupancy Sensor - 5 AMP



THERMOSTAT

The TST120V thermostat is suitable for direct connection with any resistance heating element or unit heater.

- TST120V Line Voltage Thermostat, 120V



DEHUMIDISTAT (FOR HUMIDITY CONTROL)

The adjustable sensitivity of DHST dehumidistat allows a user to prevent false cycling. The air cycle mode turns fan on/off for a set period (10, 20, 30, or 45 minutes), cycling hourly.

- DHST120V Humidity Control



CURRENT SENSOR (SOLID STATE)

The CS120VAF current sensor provides a compact, low cost method of detecting AC current. It is ideal for ON/OFF sensing of remote equipment.

- CS120AF Current Sensor, 120V, Solid State



PRESSURE SWITCH (WITH TIME DELAY)

Designed for HVAC or Energy Management applications, PST120V pressure switch is an airflow proving switch with an electronic cycle timing board.

- PST120V Pressure Switch w/Time Delay



AUTO TRANSFORMER

TF auto transformer allows for voltage to be regulated to 60V & 90V increments. Channel frame mounting and metal end shells make for a simple installation.

- TF120V Auto Transformer - 90/60V

CONTROLS, GRILLES & ACCESSORIES

GRILLES



AEROGRILLE VENTILATION GRILLES

AeroGrilles are designed for use with either in-line or external mount duct fans.

- AG150 AeroGrille 6"
- AG150-C AeroGrille 6", Collar
- AG150-CD AeroGrille 6", Collar, Damper

ADJUSTABLE VENTILATION GRILLES

Designed for ceiling or wall applications, the fully adjustable GR ventilation grilles are easy to install and adjust.



- GR100 Adjustable Grille 4", Collar
- GR150 Adjustable Grille 6", Collar
- GR200 Adjustable Grille 8", Collar
- GR100-6PK Adjustable Grille 4", Collar - 6 pcs
- GR150-6PK Adjustable Grille 6", Collar - 6 pcs

DECORATIVE VENTILATION GRILLES

These attractive grilles are designed for use with non-lighted versions of AeroFan bathroom fans.



- TGRRD90 Grille TBF90, Round Silver/Chrome
- TGRRD120 Grille TBF120, Round Silver/Chrome
- TGRSQ90 Grille TBF90, Square Silver/Chrome
- TGRSQ120 Grille TBF120, Square Silver/Chrome
- TGRCH90 Grille TBF90, Rectangular Silver/Chrome
- TGRCH120 Grille TBF120, Rectangular Silver/Chrome

ACCESSORIES



DUCT REDUCERS/INCREASERS

DRI duct reducers/increasers are used to transition a duct from a larger or smaller size. Available in 28 Ga.

- DRI-04-03 Duct Reducer/Increaser, 4" - 3" Duct, Plastic
- DRI-06-04 Duct Reducer/Increaser, 6" - 4" Duct, Galvanized
- DRI-08-06 Duct Reducer/Increaser, 8" - 6" Duct, Galvanized
- DRI-10-08 Duct Reducer/Increaser, 10" - 8" Duct, Galvanized
- DRI-12-10 Duct Reducer/Increaser, 12" - 10" Duct, Galvanized
- DRI-14-12 Duct Reducer/Increaser, 14" - 12" Duct, Galvanized



MOUNTING CLAMPS FOR RIGID DUCT

MC mounting clamps are designed for use with rigid duct. The foam neoprene layer creates an air tight installation.

- MC100 Mounting Clamps for Rigid 4" Duct (2pc)
- MC125 Mounting Clamps for Rigid 5" Duct (2pc)
- MC150 Mounting Clamps for Rigid 6" Duct (2pc)
- MC200 Mounting Clamps for Rigid 8" Duct (2pc)
- MC250 Mounting Clamps for Rigid 10" Duct (2pc)
- MC300 Mounting Clamps for Rigid 12" Duct (2pc)
- MC355 Mounting Clamps for Rigid 14" Duct (2pc)



GEAR CLAMPS FOR FLEXIBLE DUCT

GC stainless steel gear clamps easily connect a duct fan to flexible insulated duct and other auxiliary pieces.

- GC150 Gear Clamp for 4" - 6" Duct, Stainless Steel
- GC200 Gear Clamp for 5.5" - 8.5" Duct, Stainless Steel

LOUVERED SHUTTERS (WITH TAIL PIECE)

LS louvered shutters are designed as plastic molded vent hoods that prevent wind and rain from entering the vent.



- LS100-4W Louvered Shutter, 4" Duct
- LS150-6W Louvered Shutter, 6" Duct

ACCESSORIES



WYE FITTINGS

WYE fittings provide an airtight branch fitting. The crimp and bead edging ensures an easy connection.

- WYE-04 Y-Fitting, 4"x4"x4" Duct
- WYE-06 Y-Fitting, 6"x6"x6" Duct
- WYE-08 Y-Fitting, 8"x8"x8" Duct

SOUND ATTENUATORS

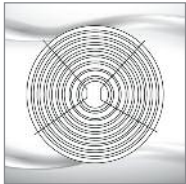
SA sound attenuators reduce fan noise traveling along ventilation ducts. Ideal for either supply or exhaust ducts.



- SA100 Sound Attenuator, 4" Duct
- SA150 Sound Attenuator, 6" Duct
- SA200 Sound Attenuator, 8" Duct
- SA250 Sound Attenuator, 10" Duct
- SA300 Sound Attenuator, 12.4" Duct
- SA400 Sound Attenuator, 16" Duct

GUARDS

Utilize a PG guard as a grille, or mount it directly on the outlet/inlet of a fan to allow for a safe installation.



- PG100 Guard, 4" Duct
- PG125 Guard, 5" Duct
- PG150 Guard, 6" Duct
- PG200 Guard, 8" Duct
- PG250 Guard, 10" Duct
- PG300 Guard, 12" Duct

ROOF CAPS

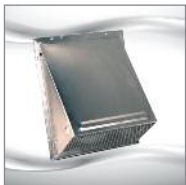
Black plastic roof caps include damper, screen, and collar. Aluminum wall caps include spring controlled damper.



- RC100 Roof Cap, 4" Duct, Black Plastic
- RC150 Roof Cap, 6" Duct, Black Plastic
- RC200 Roof Cap, 8" Duct, Black Plastic

WALL CAPS

Aluminum wall caps include spring controlled damper.



- WC100 Wall Cap, 4" Duct, Aluminum, Reducer 4" - 3"
- WC150 Wall Cap, 6" Duct, Aluminum
- WC200 Wall Cap, 8" Duct, Aluminum

FLEXIBLE INSULATED DUCT

FL models are UL-181 Class 1 air duct, wrapped with R4.2 insulation. FLM models are UL-181 and ULCS-110 M Class air duct, wrapped with 2-ply black polyester laminated inner core.



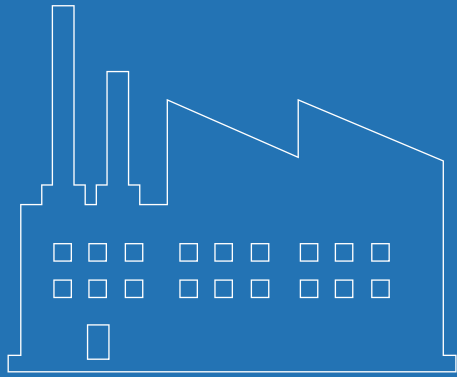
- FLM100 Flexible Insulated 4" Duct - 10' Length
- FL100 Flexible Insulated 4" Duct - 12.5' Length
- FL100-25 FLM100-25 Flexible Insulated 4" Duct - 25' Length
- FL125 FLM125 Flexible Insulated 5" Duct - 25' Length
- FL150 FLM150 Flexible Insulated 6" Duct - 25' Length
- FL200 FLM200 Flexible Insulated 8" Duct - 25' Length
- FL250 FLM250 Flexible Insulated 10" Duct - 25' Length
- FL300 FLM300 Flexible Insulated 12" Duct - 25' Length

LINT TRAP

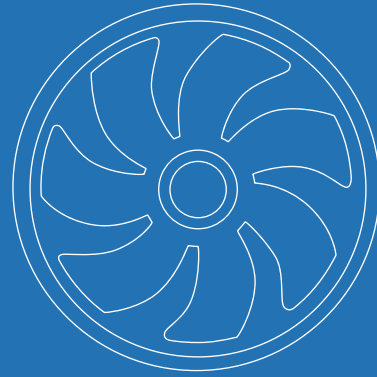
Reduce maintenance associated with dryer vents by installing a LT100 Lint Trap, which mounts to a wall or ceiling.



- LT100 Lint Trap for Dryer, 4" Duct



***Industrial Fans
& Blowers***



***OEM Solutions
& Custom Fans***



***Commercial Fans
& Dampers***



***Residential Fans &
Air Purifiers***



Wholesale Ventilation Products

Continental Fan Manufacturing Inc.
203 Eggert Road
Buffalo, New York 14215

Continental Fan Canada Inc.
12-205 Matheson Blvd. E
Mississauga, Ontario L4Z 3E3

Continental Fan Manufacturing Inc.
6274 Executive Blvd.
Dayton, Ohio 45424

1-800-779-4021 • www.continentalfan.com

Distributed by:



Wholesale-CAT-1902