

AMERICAN FLOW CONTROL



AMERICAN DARLING 5 1/4" B-62-B FIRE HYDRANT



5 1/4" B-62-B FIRE HYDRANT

PIPE PLUG-provides access to lubrication chamber. Pipe plug can be replaced with lubricating fitting to lubricate the rod threads and thrust washers.

OPERATING NUT-cast one piece bronze operating nut. Design of the operating thread permits slow closing of the hydrant valve, reducing the possibility of water hammer.

O-RINGS-seal lubrication chamber, assure dry-top hydrant, reduce friction, prevent water from reaching the operating mechanism.

HYDRANT ROD-furnished in two sections of high tensile steel. Upper section has bronze sleeve where it passes through O-rings. Upper and lower sections are connected by cast iron coupling using stainless steel pins.

HYDRANT SEAT-made of bronze, with accurately machined seat for hydrant valve with (2) drain ports.

BOLTS AND NUTS-all bolts and nuts are plated steel for corrosion resistance.

HYDRANT VALVE-consists of a cast iron valve top and valve bottom and hydrant valve rubber. Rod threads are permanently sealed from contact with water. Hydrant valve seals against the bronze hydrant seat.

BASE-spherical-shaped base has no projections or cavities to obstruct flow or collect sediment. 6" M.J. base is ductile iron.

WEATHER COVER (cast iron with rubber weather shield)-The word "open" and an arrow show direction to turn the operating nut. The rubber weather shield prevents water and debris from entering the housing area.

HOUSING AND HOUSING COVER-retain operating nut and thrust washer. Rugged construction withstands operating forces.

THRUST WASHER-takes upward thrust when opening hydrant valve and reduces operating torque.

TOP TRAVEL STOP NUT-provides a positive limit to main rod travel. Eliminates contact of valve bottom with interior of base, thereby protecting coating.

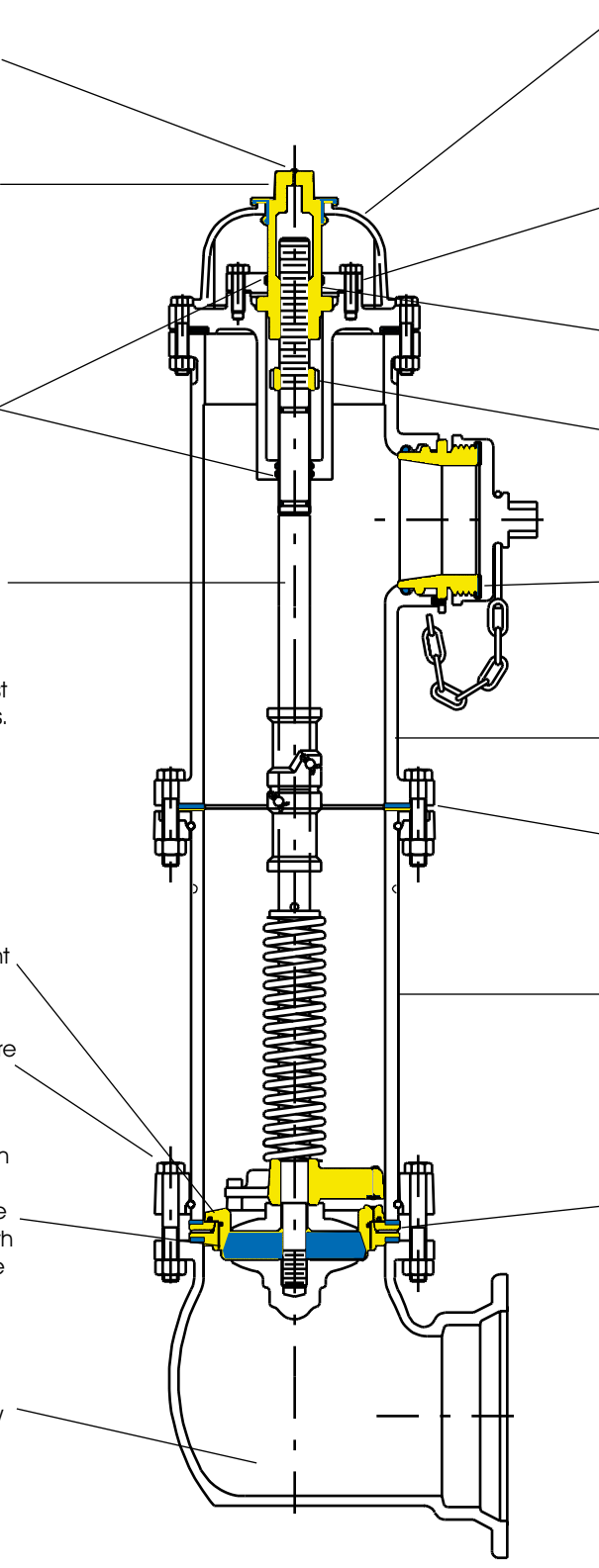
NOZZLES-patented Amlok design allows field replacement of damaged nozzles in minutes by one person. Bronze nozzles are streamlined and have micrometer-checked threads.

UPPER BARREL-cast iron with markings identifying size, model and year of manufacture.

TRAFFIC FEATURE-Upper barrel is connected to lower barrel with breakable traffic flange and 8 bolts and nuts. This feature allows 360° rotation of upper nozzle section.

LOWER BARREL-The ductile iron lower barrel provides extra strength against traffic impact damage.

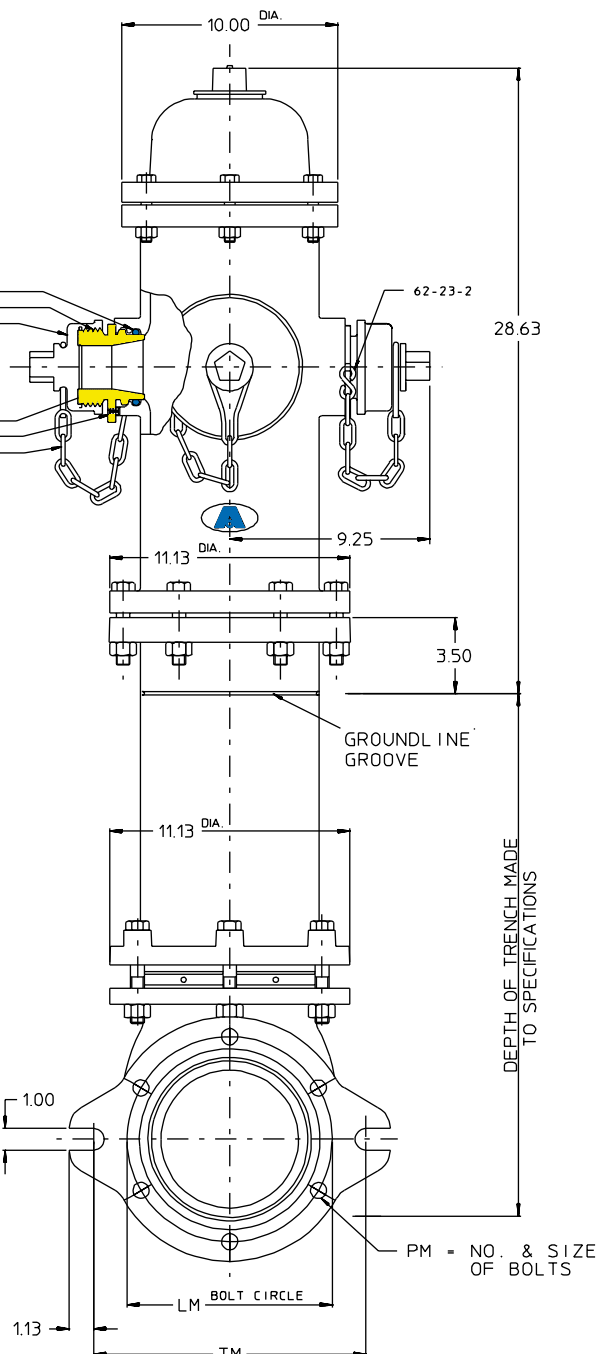
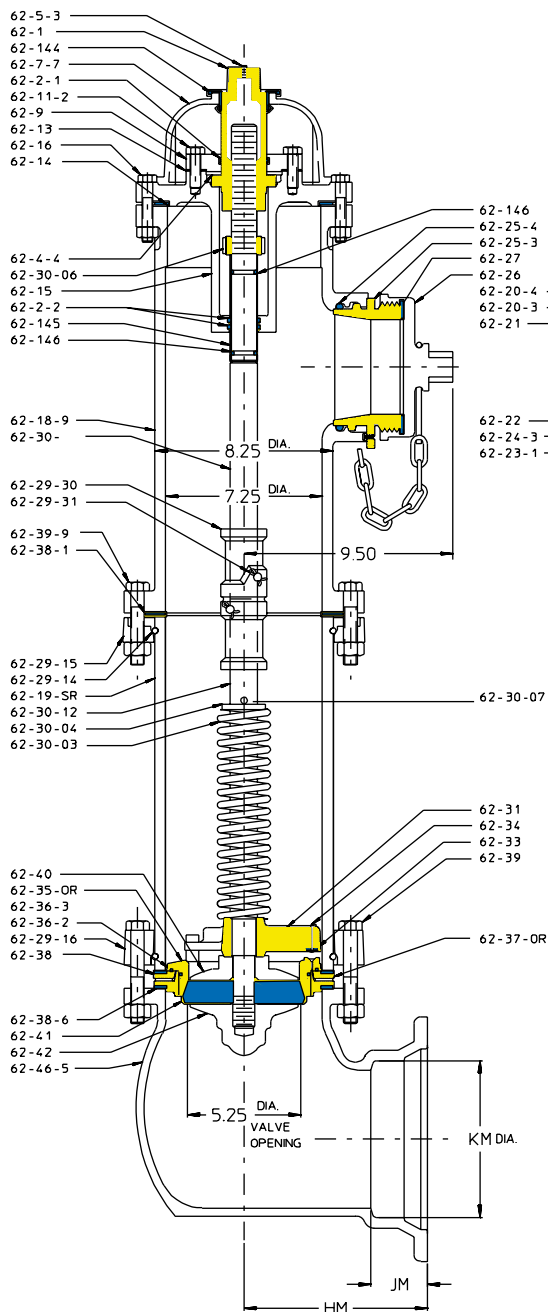
BRONZE DRAIN RING-securely held between barrel and base flange, provides bronze-to-bronze threaded connection for hydrant seat. Serves as non-corrosive multiport (4) drain channel.



Fully complies with AWWA C-502 and is available UL 246 listed and Factory Mutual Approved for allowable configurations.

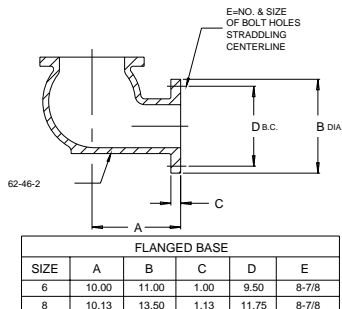
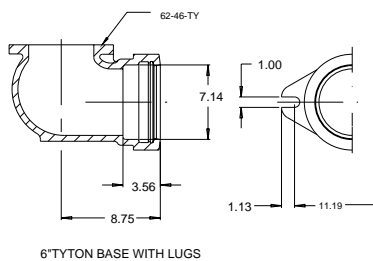


5 1/4" B-62-B FIRE HYDRANT



MECHANICAL JOINT BASE						
SIZE	HM	JM	KM	LM	PM	TM
4	9.00	2.50	4.91	7.50	4-3/4	12.63
6	8.50	2.63	7.00	9.50	6-3/4	12.63
8	9.75	2.50	9.16	11.75	6-3/4	15.00

NOTE: DRAWING SHOWS OPTIONAL LUGS FOR 6" & 8" BASES ONLY



PART NO.	QTY.	DESCRIPTION	MATERIAL
62-1	1	Operating Nut	Bronze
62-2-1	1	Cover O-Ring	Buna N
62-2-2	2	Housing O-Ring	Buna N
62-4-4	1	Thrust Washer	Nylatron
62-5-3	1	Pipe Plug	Steel
62-7-7	1	Weather Cover	Gray Iron
62-9	1	Housing Cover	Gray Iron
62-11-2	4	Cover Cap Screws	Plated Steel
62-13	1	Cover Gasket	Fiber
62-14	1	Housing Gasket	Composition Rubber
62-15	1	Housing	Gray Iron
62-16	6	Housing Bolts and Nuts	Plated Steel
62-18-9	1	Upper Barrel	Gray Iron
62-19-SR	1	Lower Barrel	Ductile Iron
62-20-3	2	Hose Nozzles	Bronze
62-20-4	2	Hose Nozzle O-Rings	Buna N
62-21	2	Hose Cap	Gray Iron
62-22	2	Hose Cap Gaskets	Rubber
62-23-1	1 Per Nozzle	Cap Chains	Steel
62-23-2	1 Per Nozzle	S Hook	Steel
62-24-3	1 Per Nozzle	Nozzle Set Screws	Stainless Steel
62-25-3	Varies	Steamer Nozzle	Bronze
62-25-4	1 Per Nozzle	Steamer Nozzle O-Ring	Buna N
62-26	1 Per Nozzle	Steamer Cap	Gray Iron
62-27	1 Per Nozzle	Steamer Cap Gasket	Rubber
62-29-14	2	Snap Rings	Stainless Steel
62-29-15	1	Breakable Flange	Gray Iron
62-29-16	1	Base Flange	Ductile Iron
62-29-30	1	Rod Coupling	Gray Iron
62-29-31	2	Coupling & Cotter Pins	Stainless/Bronze
62-30-03	1	Hydrant Spring	Spring Steel
62-30-04	1	Spring Plate	Steel
62-30-06	1	Travel Stop Nut	Bronze
62-30-07	1	Spring Plate Pin	Steel
62-30-11	1	Upper Hydrant Rod	Steel
62-30-12	1	Lower Hydrant Rod	Steel
62-31	1	Drain Lever	Bronze
62-33	3	Drain Lever Washers	Rubber
62-34	3	Drain Lever Rivets	Bronze
62-35-02	1	Hydrant Seat	Bronze
62-36-2	1	Seat O-Ring-Outside	Buna N
62-36-3	1	Seat O-Ring-Inside	Buna N
62-37	1	Drain Ring	Bronze
62-38	1	Drain Ring Gasket	Composition Rubber
62-38-1	1	Barrel Gasket	Composition Rubber
62-38-6	1	Base Gasket	Composition Rubber
62-39	6	Base Bolts and Nuts	Plated Steel
62-39-9	8	Barrel Bolts and Nuts	Plated Steel
62-40	1	Hydrant Valve Top	Gray Iron
62-41	1	Hydrant Valve	Rubber
62-42	1	Hydrant Valve Bottom	Gray Iron
62-46-2	1	Flanged Base	Gray Iron
62-46-5	1	Mechanical Joint Base	Ductile Iron
62-46-TY	1	Tyton Base	Gray Iron
62-144	1	Weather Shield	Rubber
62-145	1	Rod Sleeve	Bronze
62-146	2	Sleeve O-Rings	Buna N

NOTES

1. Size and shape of operating nut, threading on nozzles and the direction of opening to be in accordance with customer specifications.
2. Cap chains are not furnished unless specified.
3. All cast iron is ASTM A126 class B.
4. Bolts and nuts are plated steel ASTM A307 in accordance with AWWA C502.
5. Working pressure 200 p.s.i.g., test pressure 400 p.s.i.g.
6. Hydrant conforms to AWWA specifications C502.
7. Upper Barrel can be rotated 360° for nozzle orientation.
8. Bronze in contact with water contains less than 16% zinc.
9. 6" Mechanical joint base is ductile iron.
10. Nominal turns to open is 22.

SUBMITTAL DATA

Depth of trench or bury			
Size and type of base connection	4" M.J.	6" Tyton AC M.J. FLG	8" M.J. FLG
Direction to open	LEFT (CCW)	RIGHT (CW)	
Paint color			
Number of hose nozzles	2		
Hose nozzle size			
Steamer nozzle	YES	NO	
Steamer nozzle size			
Nozzle cap chains	YES	NO	
City specified			
UL-FM	YES	NO	



FEATURES

American Flow Control's American-Darling **B-62-B** hydrant incorporates over 80 years in design, manufacture and field experience. This means dependable and efficient operation when needed.

Introduced in 1962, the **B-62-B** hydrant is rated at 200 p.s.i.g. and seat tested at 400 p.s.i.g. This hydrant meets and exceeds all requirements of AWWA

C502 for dry barrel hydrants. The **B-62-B** hydrant is loaded with the features you expect from a high quality fire hydrant. The all bronze seat and bronze drain ring assure that the **B-62-B** hydrant is easily repaired by just one person.

Optional UL-FM

The **B-62-B** hydrant is listed by Underwriters Laboratories, Inc. as meeting their standard UL 246, latest edition.

The Factory Mutual Research Corporation has approved the **B-62-B**. Both Underwriters Laboratories and Factory Mutual Research Corporation require that we consistently manufacture and test our hydrants in full accordance with their stringent requirements. Our facilities are subject to periodic inspections to assure we are in compliance to their standards.

The **B-62-B hydrant** has these standard features:

- **Positive compression, spring-loaded multi-port drains**
- **Travel stop located in top of hydrant**
- **Bronze-to-bronze seating**
- **Short, lightweight, disassembly wrench**
- **Easy 360° rotation of nozzle section**
- **Ductile Iron MJ base**
- **Centrifugally cast high strength ductile iron lower barrel**
- **Sealed lubrication chamber**
- **Double O-ring protected bronze valve seat**

BENEFITS

Spring Loaded Multi-Port Drains

Three drain ports and four drain outlets are standard features on the **B-62-B** hydrant. The rod spring assures drains close after only three turns of the rod. This important safety feature prevents wash outs that can happen on hydrant designs that do not have this important feature.

Sealed Lubrication Chamber

Seals operating threads from grit and moisture and reduces maintenance.

Top Travel Stop Nut

Helps prevent stem buckling and damage to bronze components which may occur if excessive torque is applied in the full open position.



SPECIFICATIONS

Fire hydrants shall meet or exceed AWWA C502, latest revision. Rated working pressure shall be 200 p.s.i.g., test pressure shall be 400 p.s.i.g. and hydrants shall include the following specific design criteria:

The main valve closure shall be of the compression type, opening against the pressure and closing with the pressure. Traffic feature to be designed for easy 360 degree rotation of nozzle section during field installation.

There shall be a sealed lubrication

chamber with triple O-rings to seal operating threads from the waterway and accommodate an anti-friction thrust washer.

The main valve opening shall not be less than 5-1/4" and be designed so that removal of all working parts can be accomplished without excavating.

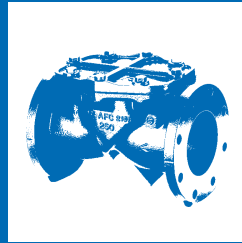
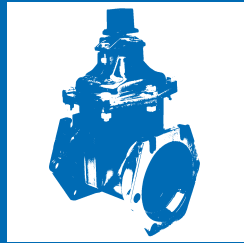
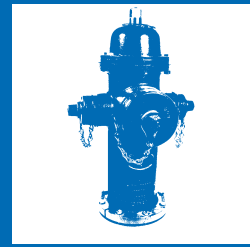
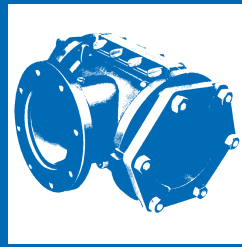
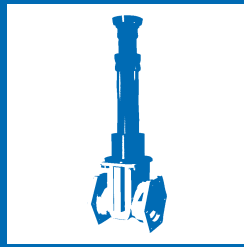
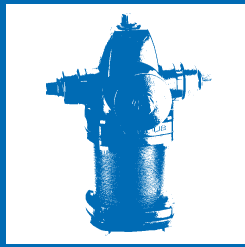
The bronze seat shall be threaded into mating threads of bronze for easy field repair.

The draining system of the hydrant shall be bronze and be positively acti-

vated by the main operating rod.

Hydrant drains shall close completely after no more than three turns of the operating nut. There shall be a minimum of (3) internal ports and (4) drain port outlets to the exterior of the hydrant. Drain shutoff to be by direct compression closure. Friction loss not to exceed 3.5 p.s.i.g. at 1000 gpm through 4-1/2" pumper nozzle.

Hydrants shall be American Flow Control's American-Darling **B-62-B** fire hydrant.



American Flow Control®
American-Darling Valve and Waterous
A Division of American Cast Iron Pipe Company

<http://www.acipco.com/afc>

American-Darling Valve

P.O. Box 2727
Birmingham, AL 35202-2727
Phone: 1-800-326-7082
Fax: 1-800-610-3569

e-mail: bpattton@acipco.com

Waterous Company

125 Hardman Avenue South
South St. Paul, MN 55075-1191
Phone: 1-888-245-9443
Fax: 1-800-601-2809

e-mail: kmmastel@waterousco.com

Distributed By: