

Installation Guide

Single-Control Bath and Shower Trim

K-T14420, K-14421, K-14422,
K-T14423, K-14424, K-14426,
K-14427

1031692-2-A

THE BOLD LOOK
OF **KOHLER**®

IMPORTANT INSTRUCTIONS

READ AND SAVE FOR THE CONSUMER



WARNING: Risk of scalding or other severe injury.

- Before completing installation, the installer must set the maximum water temperature setting of this valve to minimize the risks associated with scalding hazards according to ASTM F 444.
- Do not install a shut-off device on either outlet of this valve. The installation of any such device may create a cross-flow condition at the valve and affect the water temperature.
- Factors that change the temperature of the water supplied to the valve, such as seasonal water temperature changes, and water heater replacement or servicing, will change the maximum water temperature supplied by the valve and may create a scalding hazard. The pressure-balanced valve **will not** compensate for changes in the water supply temperature; adjust the maximum water temperature setting of this pressure-balanced valve when such changes occur.
- Pressure-balanced valves may not provide protection against scalding if there is a failure of other temperature-limiting devices elsewhere in the plumbing system.

The installer is responsible for installing the valve and adjusting the maximum water temperature of this pressure-balanced valve according to instructions.

This valve meets or exceeds ANSI A112.18.1 and ASSE 1016.

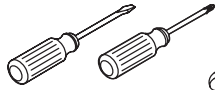
If you do not understand any of the installation or temperature adjustment instructions in this document, in the United States please contact our Customer Service Department at **1-800-4-KOHLER**. Outside the U.S., please contact your distributor.

IMPORTANT NOTICE TO INSTALLERS! Please fill in the blanks in the information box in the Homeowners Guide and on the valve label. Retain the Homeowners Guide for future reference.

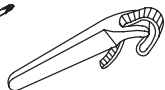
NOTICE TO HOMEOWNERS! This device has been preset by _____ of _____ to ensure a safe maximum temperature. Any change in the setting may raise the discharge temperature above the limit considered safe, and lead to scalds.

Date: _____

Tools and Materials



Assorted
Screwdrivers



Strap
Wrench



Plumbers
Putty



Thread
Sealant



Hex
Wrench

Thank You For Choosing Kohler Company

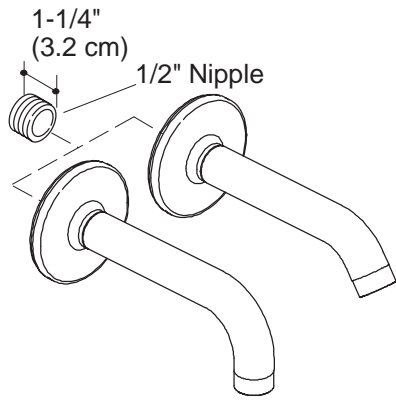
We appreciate your commitment to Kohler quality. Please take a few minutes to review this manual before you start installation. If you encounter any installation or performance problems, please don't hesitate to contact us. Our phone numbers and web site are listed on the back cover. Thanks again for choosing Kohler Company.

Before You Begin



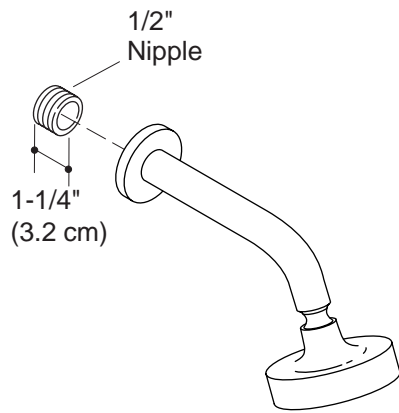
CAUTION: Risk of product damage to the K-306-KS valve assembly. When using this valve in a fiberglass or acrylic installation, use the Thin Wall Installation Kit (88526).

- Observe all local plumbing codes.
- The finished wall or bath/shower unit must be installed prior to installing this trim.
- We recommend that you determine if the maximum water temperature is acceptable before installing this trim. If temperature adjustment is needed, refer to the "Water Temperature Adjustment" section.
- The valve shuts off by water pressure. Do not force the handle in any direction. To turn the valve off, gently turn it to the "Off" position.
- Shut off the main water supply.



1. Install the Spout

- Remove the temporary nipple.
- Apply thread sealant and install a 1/2" nipple so it extends 1-1/4" (3.2 cm) beyond the finished wall.
- Apply thread sealant to the nipple and thread the spout onto the nipple.
- Carefully tighten with a clean strap wrench.

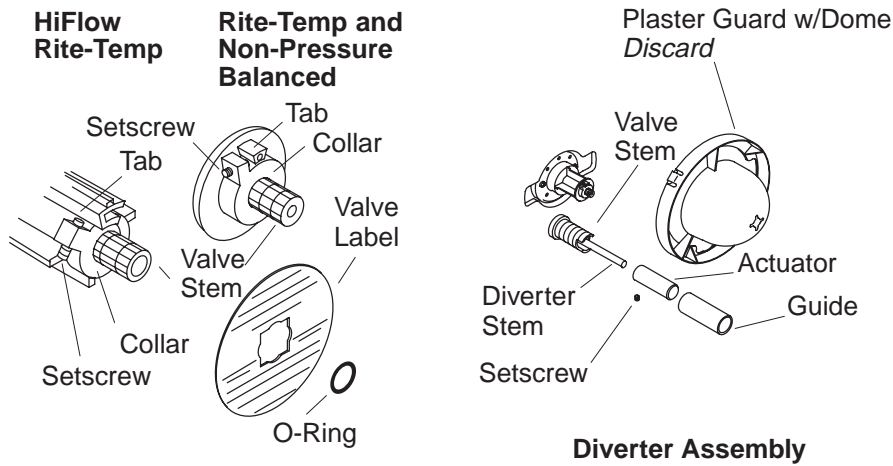


2. Install the Showerhead



CAUTION: Risk of product damage. To avoid plugging the showerhead spray outlets, use thread sealant tape on the shower arm threads. Do not use thread sealant compound (pipe dope).

- Remove the temporary nipple from the shower elbow.
- Apply thread sealant and install a 1/2" NPT nipple to the shower elbow to extend 1-1/4" (3.2 cm) beyond the finished wall.
- Apply a ring of plumbers putty or other sealant to the back of the shower arm according to the putty manufacturer's instructions.
- Apply thread sealant tape to the nipple and install the shower arm onto the nipple.
- Carefully tighten with a clean strap wrench.
- Remove all excess putty.
- With the showerhead off, flush out the system.
- Apply thread sealant tape to the shower arm, and thread the showerhead to the shower arm.



3. Water Temperature Adjustment

CAUTION: Risk of personal injury. The water temperature should never be set above 120° F (49° C).

- Turn the valve clockwise to the full open position and let the hot water run for several minutes. Position a thermometer in the water stream and check the temperature.
- For **minor water temperature changes**, adjust the setscrew, and recheck the water temperature.
- For **major water temperature changes**, remove the O-ring and collar from the valve stem. Slowly rotate the valve stem until the desired water temperature is reached.
- Reinstall the collar on the valve stem with the setscrew against the side of the tab.
- Reinstall the O-ring, rotate the valve stem counterclockwise to shut the water off, and recheck the water temperature.

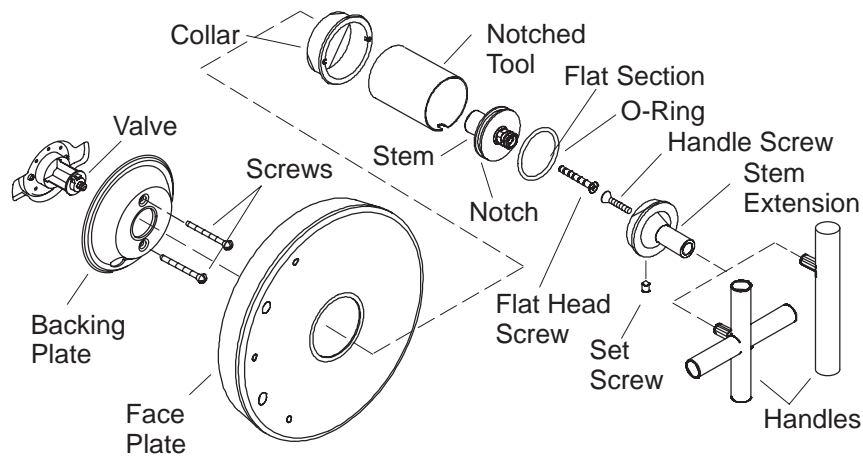
NOTE: After adjustment, complete the required information on the valve label.

4. Diverter Assembly

- Remove and discard the plaster guard and/or dome, if installed.
- Position the actuator over the diverter stem and tighten the setscrew.

Diverter Assembly (cont.)

- Slide the guide over the actuator and thread onto the diverter stem.



5. Install the Face Plate

CAUTION: Risk of product damage to the K-306-KS valve assembly. When using this valve in a fiberglass or acrylic installation, use the Thin Wall Installation Kit (88526).

- For installation over a tiled wall, apply a bead of silicone sealant around the back edges of the face plate.
- Break off the tab at the lower right on the backing plate. Fit the backing plate over the valve so the large hole is on the bottom and secure with two screws. Do not overtighten.
- Rotate the valve stem fully counterclockwise.
- Position the face plate over the backing plate and thread the collar into the backing plate. Do not cross thread.
- Insert the notched tool (provided) into the collar notches and hand tighten. If collar does not thread into the backing plate, thread backing plate screws 1/2 turn back.
- Insert the sleeve into the collar so the slot is down and facing outward.
- Insert the stem with the flat sections facing up.
- Attach the stem to the valve with a flathead screw.
- Check the handle alignment. The handle lever should point straight down.
- To adjust the handle position, remove the handle and stem and reposition the stem. Reinstall the handle and check the alignment. Repeat until the proper alignment is achieved.

Install the Face Plate (cont.)

- For further adjustment, remove the handle screw and rotate the handle in the stem extension. Reinstall the handle screw.

6. Complete the Installation

- Turn the valve fully counterclockwise to the off position.
- Remove the aerator assembly from the spout by turning it counterclockwise.
- Turn on the main water supply.
- Turn the valve to the center and run water for approximately one minute to flush the system.
- Check all connections for leaks.
- Reinstall the aerator.

1031692-2-A

1031692-2-A

USA:1-800-4-KOHLER

kohler.com

THE BOLD LOOK
OF **KOHLER**®

©2004 Kohler Co.

1031692-2-A