

INSTALLATION

G U I D E

STILLNESS™ BATH  
FILL TRIM

K-T954

THE BOLD LOOK  
OF **KOHLER**®

## RECOMMENDED TOOLS AND MATERIALS



Hex Wrench Set



Adjustable Wrench

## BEFORE YOU BEGIN

- Shut off the main water supply.
- Install valves and supply stem per instructions supplied.
- Finish deck once valves have been installed.
- Observe all local plumbing codes.
- Kohler Co. reserves the right to make revisions in the design of faucets without notice, as specified in the Price Book.

## 1. SPOUT INSTALLATION

Remove plaster guard from supply stem.

Remove pipe plug from supply stem. Wrap a towel around the pipe plug to prevent spray.

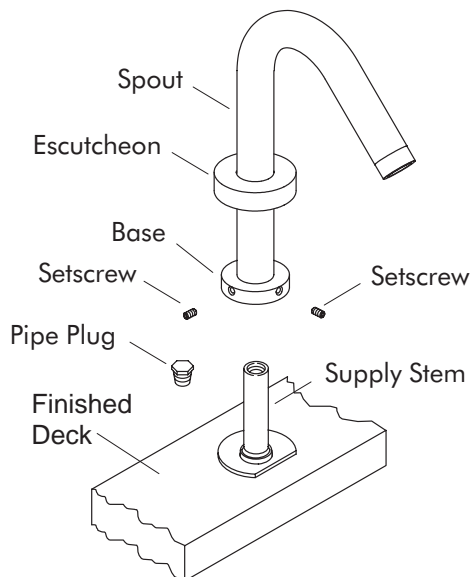


**WARNING: Risk of personal injury.** Lines may be pressurized. Do not lean over pipe plug when turning or removing the plug.

Back setscrews off at base of spout far enough so they will not interfere with the supply tube.

Install spout over supply tube, set orientation, and tighten setscrews.

Slide escutcheon down over base until flush with finished deck.

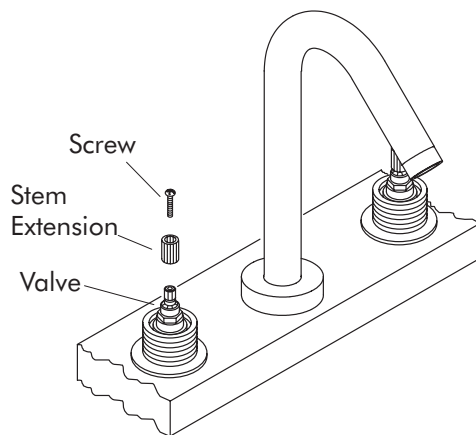


## 2. VALVE TRIM INSTALLATION

Remove cardboard plaster guard from the hot and cold valves.

Install long stem extension onto each valve and secure with screw supplied in trim kit.

Make sure both valves are in the closed ( hot=clockwise, cold=counterwise) position.

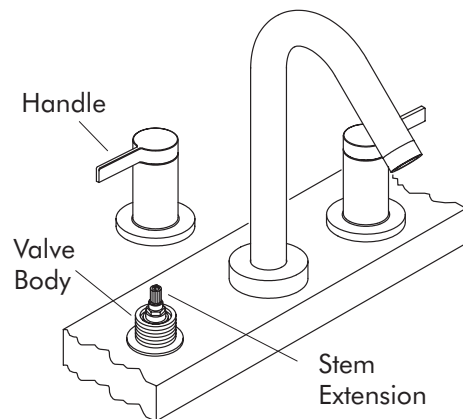


Install the handle assembly by threading onto the valve body. Take care that the splines inside the skirt and stem extensions are engaged. Orient the handles so they point to the outside. Adjust as required.

If the handle assembly bottoms out on the stem extension before the base of the assembly contacts the finished surface, replace long extension kit with short plastic extension.

Adjust the handle so the lever points away from the spout at 90° angle when closed.

To refine the alignment, remove the handle assembly, and reposition the stem extension on the valve stem. Reinstall the handle assembly, and check the handle alignment. Repeat until the alignment is satisfactory.



### 3. FINISH INSTALLATION

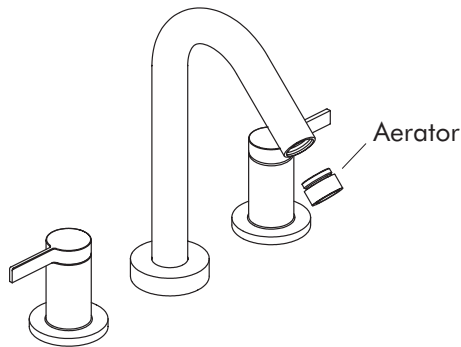
Make sure both faucet handles are turned off (hot=clockwise, cold=counterclockwise).

Turn on main water supply and check for leaks.

Remove aerator from the spout. Turn on both hot and cold valves and run water through the spout for one minute to remove any debris. Check for leaks.

Turn off hot and cold valves.

Reinstall the aerator.



#### CALL US FOR HELP

Questions? Problems? First review the installation instructions to ensure correct installation. For additional assistance, call our Customer Service Department for direct help. You may also contact us at our web site listed below.

**In the U.S.A., call 1-800-4-KOHLER**

**In Mexico, call 001-877-680-1310**

**In Canada, call 1-800-964-5590**

THE BOLD LOOK  
OF **KOHLER**®

[www.kohlerco.com](http://www.kohlerco.com)