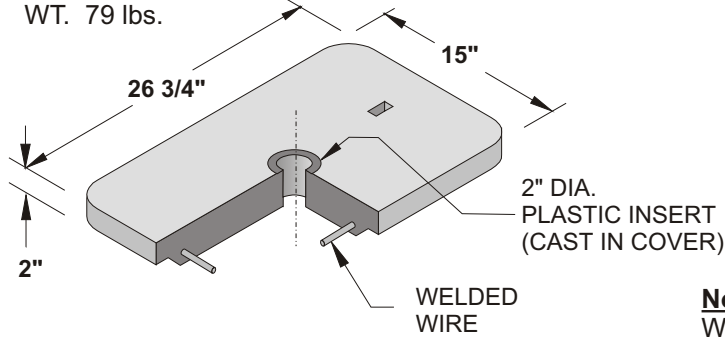


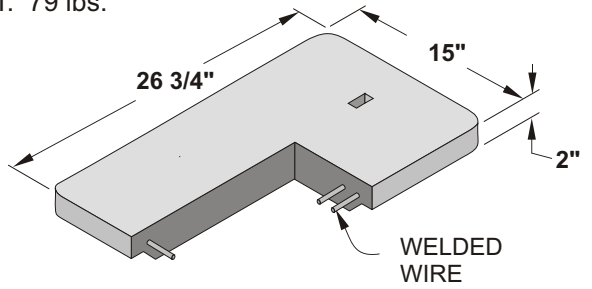
No. 65 - SP COVER

WT. 79 lbs.



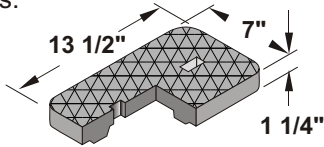
No. 65 MB - CONCRETE COVER

WT. 79 lbs.



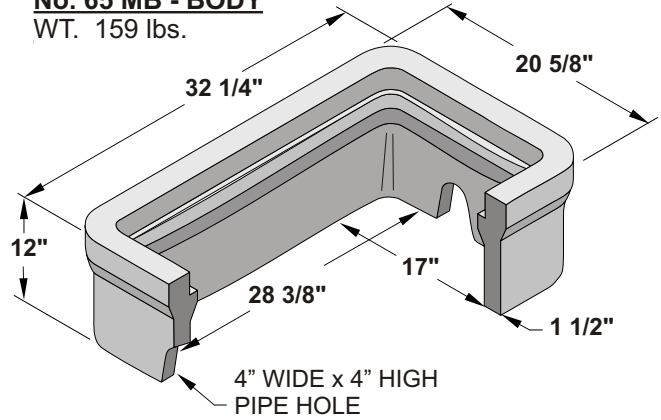
No. 65 - ST LID (2-ST)

WT. 9 lbs.



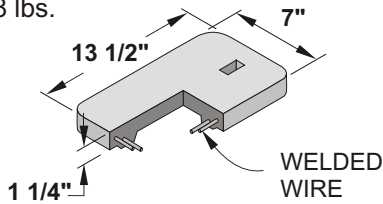
No. 65 MB - BODY

WT. 159 lbs.



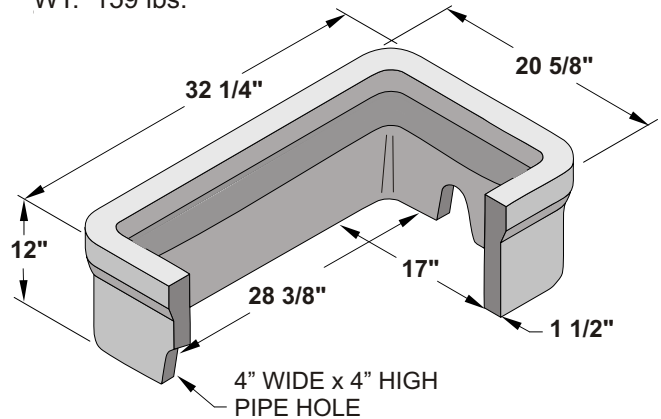
No. 65 - S LID (2-S)

WT. 8 lbs.



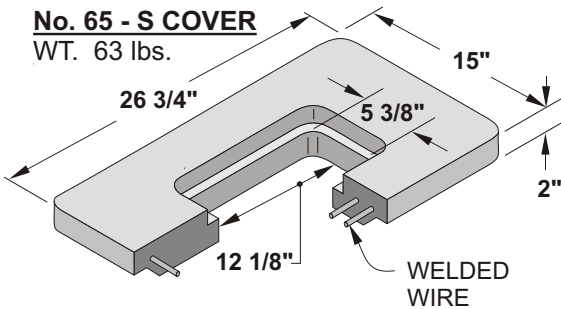
No. 65 MB - EXTENSION

WT. 159 lbs.



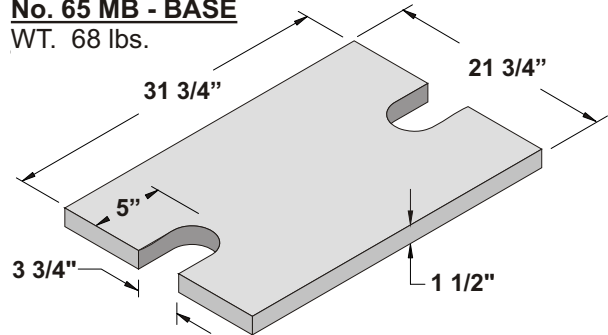
No. 65 - S COVER

WT. 63 lbs.



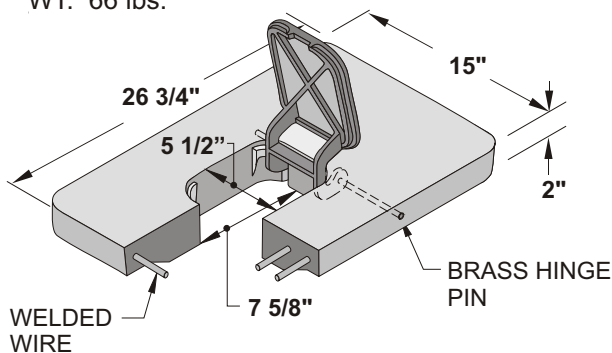
No. 65 MB - BASE

WT. 68 lbs.



No. 65 - H COVER WITH C.I. HINGED LID

WT. 66 lbs.



17" x 28" METER BOX
(for 2" WATER METER)



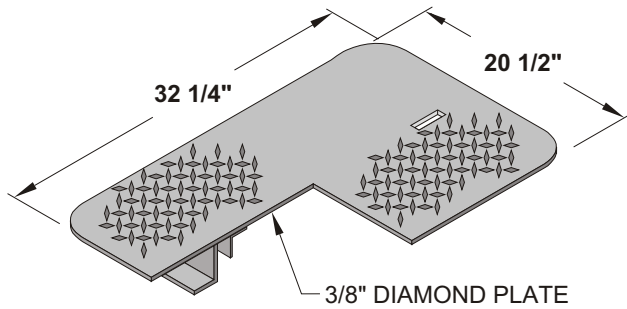
65MB

ORG. DWG. DATE
11-10-95

REV. DWG. DATE
01-09-01

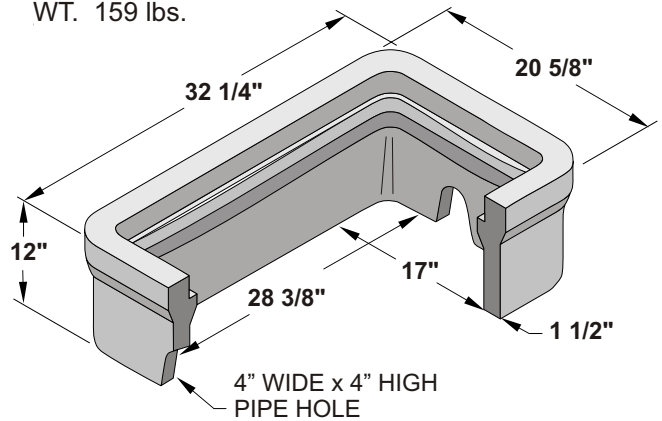
No. 65 - T STEEL COVER (SUPERIMPOSED)

WT. 71 lbs.



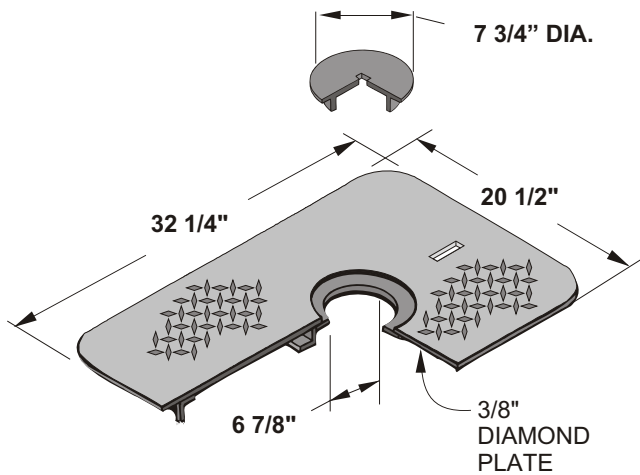
No. 65 MB - BODY

WT. 159 lbs.



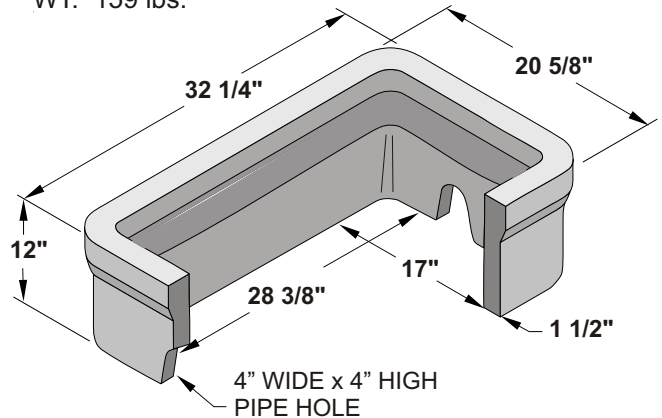
No. 65 - TR STEEL COVER (SUPERIMPOSED)

WT. 73 lbs.



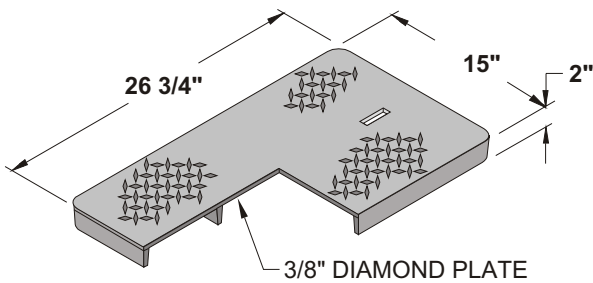
No. 65 MB - EXTENSION

WT. 159 lbs.



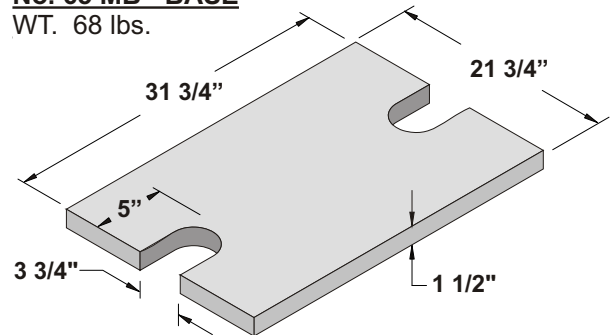
No. 65 - TF STEEL COVER (FLUSH)

WT. 68 lbs.



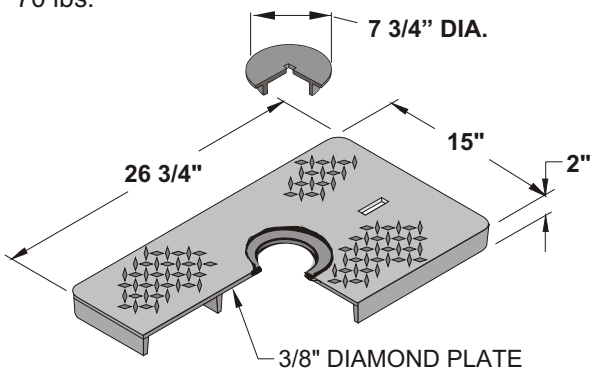
No. 65 MB - BASE

WT. 68 lbs.



No. 65 - TFR STEEL COVER (FLUSH)

WT. 70 lbs.



3
-
0
8
B

17" x 28" METER BOX
(for 2" WATER METER)



65MB

ORG. DWG. DATE
11-10-95

REV. DWG. DATE
01-09-01