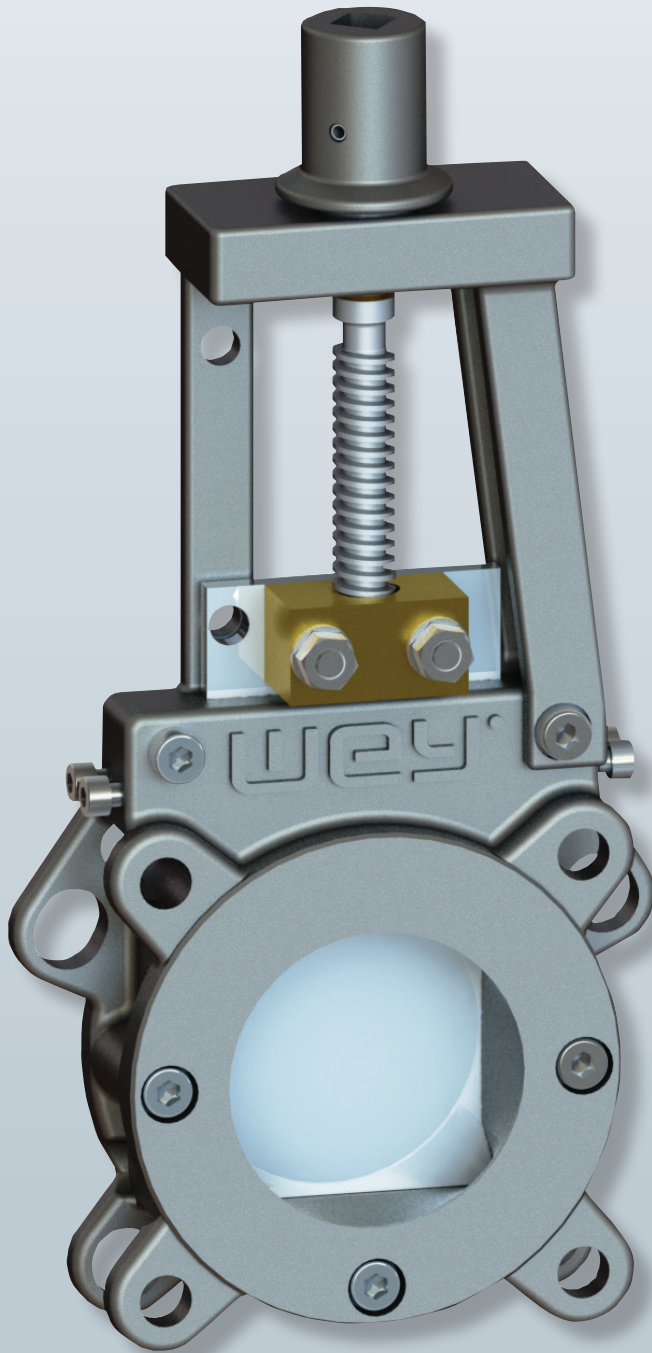


Wey Knife Gate Valve Model TI3

Transmitter Isolation Valve



Wey Knife Gate Valve Model T13

The Wey Knife Gate Valve Model T13 provides for shut-off isolation to permit removal and repair of differential pressure level sensing transmitters. The thin face-to-face profile of the valve when mounted to a short-stub tank flange connection minimizes "dead space" in which solids near the bottom of a slurry storage tank can collect, thereby preventing signal errors. The knife blade in this valve cuts through heavy solids to ensure reliable operation and tight shut-off. The Model T13 is available in a 3" size to adapt to most popular level sensor transmitters.

The Model T13 is truly a unique design. Unlike other transmitter isolation valves that are mere adaptations of a standard knife gate valve, the Model T13 has been designed for the sole purpose of transmitter isolation.

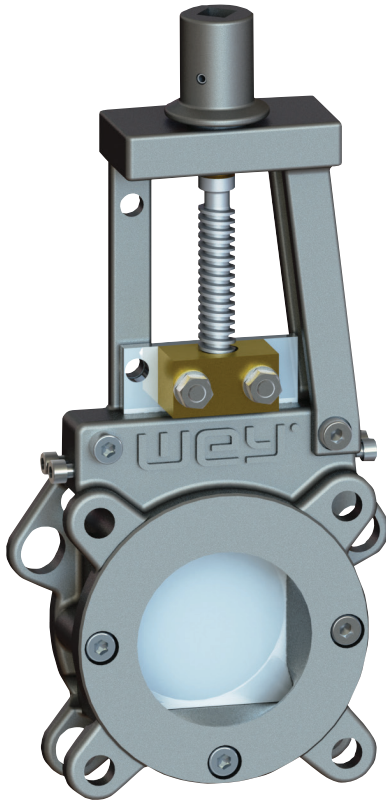


Fig. 1

Features

- Compact design with non-rising stem. Valve fits in standard 18" diameter insulation well.
- No chest cavity in valve. No area for process media to build up causing gate jamming in chest.
- Unique top transverse seal is re-packable while in service and under pressure. Eliminates need to drain storage tank when new packing is required.



See live demonstration

- Combination metal and resilient seat provides bubble-tight shut-off.
- Open and closed OSHA safety lock-out as standard.
- Solid st. stl. or alloy body with integral yoke.
- No special ratchet wrench required for operation. Uses standard 1/2" socket drive.

Fig. 2

Close-coupled tank flange with special flange bolt pattern.

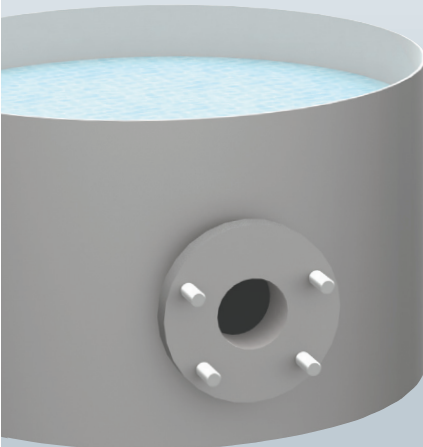


Fig. 3

Model T13 transmitter valve mounted on tank flange.

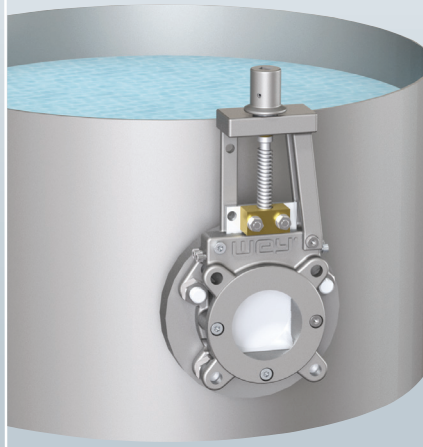
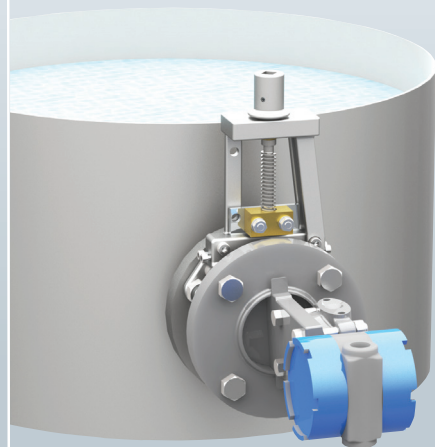


Fig. 4

Differential pressure transmitter mounted to model T13 isolation valve.



Options

Model	Body/Yoke	Gate	Seals**	Packing	Options
TI3*	316 st. stl.*	316 st. stl.*	S2 = FKM*	P2 = PTFE	UC - Urethane
	317 st. stl.*	317 st. stl.*	S3 = PTFE	Compound	Purge Ports:
	Hastelloy-C*	Hastelloy-C*	S5 = AFLAS	P4 = Food Grade PTFE	PPU1 = One Purge Port, Upstream Side
(Note: Only 3" size is available)	(other alloys optional)	(other alloys optional)	(other seal materials optional)	P5 = PTFE for Chlorine	PPU2 = Two Purge Ports, Upstream Side
					PPD1 = One Purge Port, Downstream Side
					PPD2 = Two Purge Ports, Downstream Side

*Denotes stock items.

**Note: All Model TI3 valves furnished with glass-filled phenolic scraper blades unless otherwise specified.

RW = Ratchet Wrench*
 TF-316 = 316 st. stl. Tank Flange*
 TF-317 = 317 st. stl. Tank Flange*
 FA-316 = 316 st. stl. 3" ANSI 150 Tank Flange Adaptor*
 FA-317 = 317 st. stl. 3" ANSI 150 Tank Flange Adaptor*

Ordering example: TI3, 316, 316, S2, P2, UC, PPU1, PPD1

Fig. 5

Optional removable heavy duty urethane cover protects yoke assembly from splashing and spills.

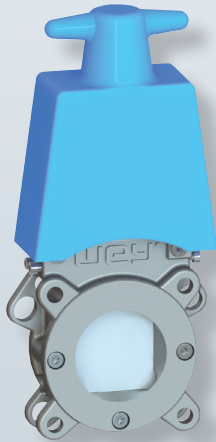


Fig. 6

Hole in protective urethane cover permits tie-down of cover. (Chain or cable tie-down by customer.)

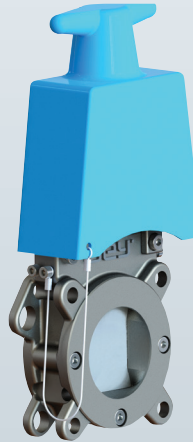


Fig. 7

Optional flushing ports in any of four locations. Permits cleaning of seat area to ensure tight shut-off.



Fig. 8

Actuation by standard mechanic's 1/2" socket drive wrench. Socket drive on valve is 316 or 317 st. stl.

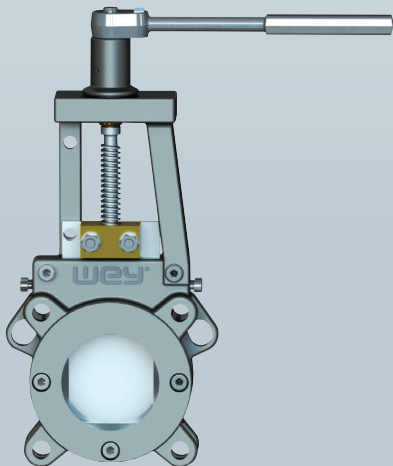


Fig. 9

Provision for OSHA lock-out in closed position furnished as standard.

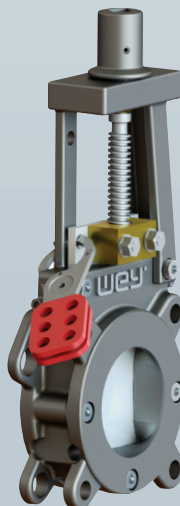
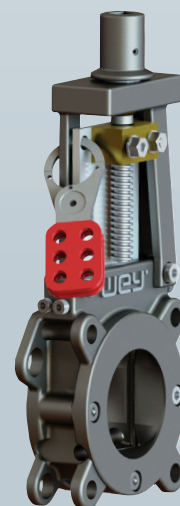


Fig. 10

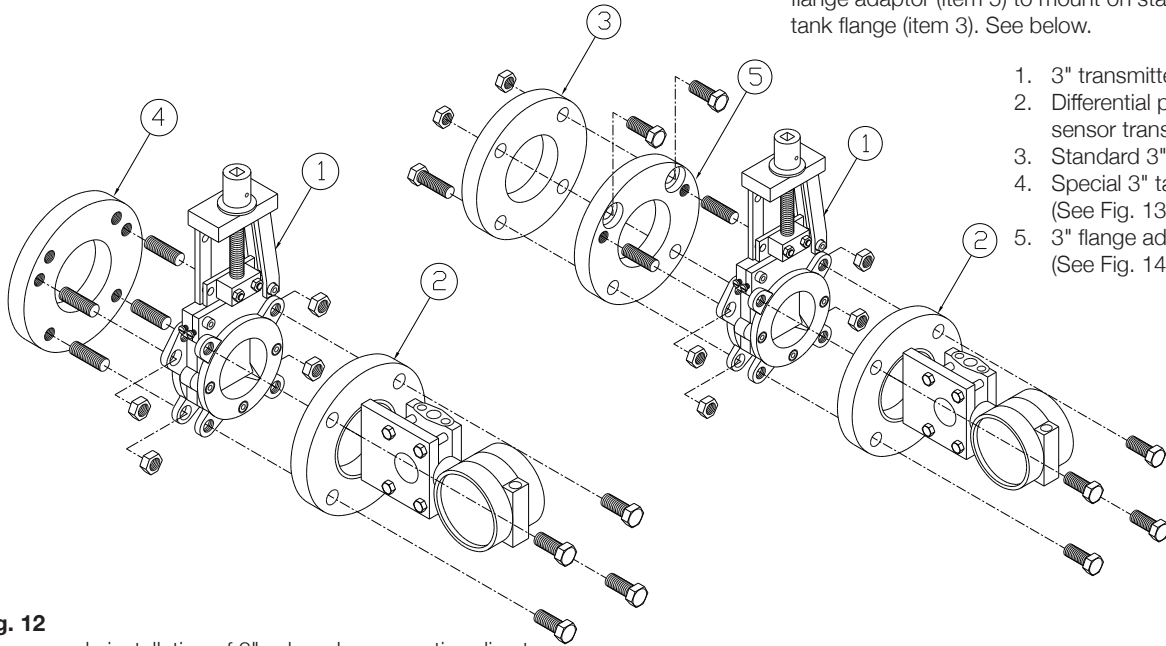
Provision for OSHA lock-out in open position furnished as standard.



Close Couple Installation

Fig. 11

Close couple installation of 3" valve when using special flange adaptor (item 5) to mount on standard 3" ANSI 150 tank flange (item 3). See below.

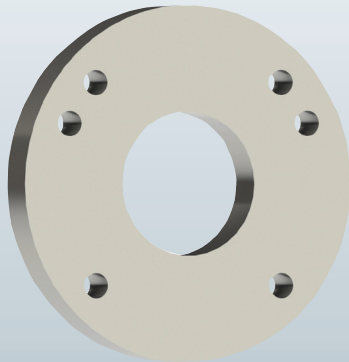


1. 3" transmitter isolation valve.
2. Differential pressure level sensor transmitter.
3. Standard 3" ANSI 150 flange.
4. Special 3" tank flange. (See Fig. 13 below.)
5. 3" flange adaptor. (See Fig. 14 below.)

Fig. 12

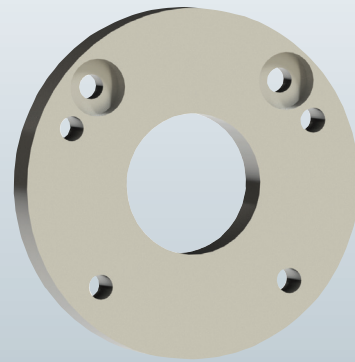
Close couple installation of 3" valve when mounting direct to special tank flange (item 4). Note: This special 3" tank flange (item 4) has unique bolt pattern to permit very close mounting of valve to tank wall. (See Fig.13 below.)

Fig. 13



Special 3" tank flange with optional 3" ANSI 150 flange bolt pattern. Welds direct to tank wall for close installation of 3" valve. (Contact factory for more details.)

Fig. 14



Special 3" flange adaptor used to close couple mount 3" valve when existing tank flange has standard 3" ANSI 150 bolt pattern. (Contact factory for more details.)

Your contact