

Optima *i.q.*® EAF-150



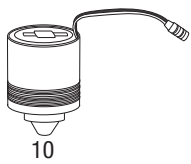
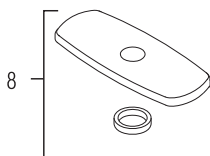
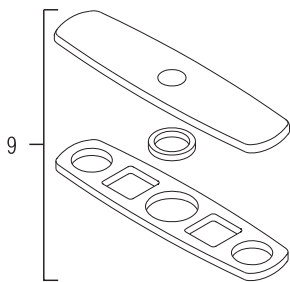
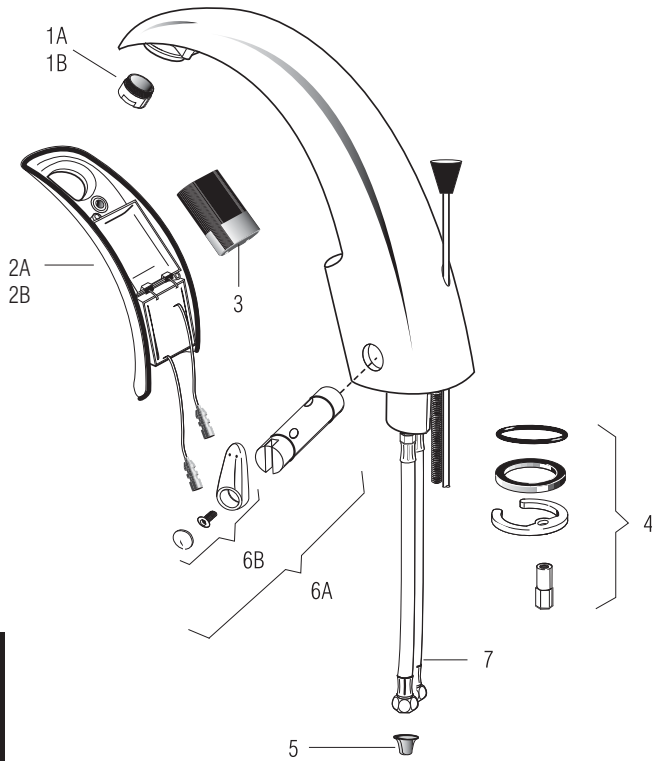
EAF-150



EAF-150-ISM-DPU-IC

PARTS LIST—EAF-150 FAUCETS

Item			
No.	Code No.	Part No.	Description
1A.	0335008	EAF-10	2.2 gpm (8.3 Lpm) Aerator Spray Head
1B.	0335010	EAF-12	0.5 gpm (1.9 Lpm) Spray Head
1C.	0335029	EAF-51	0.35 gpm (1.3 Lpm) Spray Head (Multi-Lam)
2A.	0335002	EAF-3-A	Throat Plate Assembly (Battery Models)
2B.	0335003	EAF-4-A	Throat Plate Assembly with <i>i.q.-cliq</i> ™ (Battery Model)
3.	3335009	EAF-1000	Battery Replacement Kit
4.	0335000	EAF-1	Faucet Mounting Kit
5.	0335007	EAF-9	Strainer (Filter)
6A.	3335010	EAF-1001	Mixer Handle Assembly and Cartridge
6B.	3335011	EAF-1002	Handle Repair Kit
7.	3335023	EAF-1008	13" (330 mm) Flexible Supply Hose
8.	3365302	ETF-607-A	Trim Plate for 4" Center-set Sink
9.	3365303	ETF-608-A	Trim Plate for 8" Center-set Sink
10.	0335001	EAF-2	Solenoid



Hand Hygiene