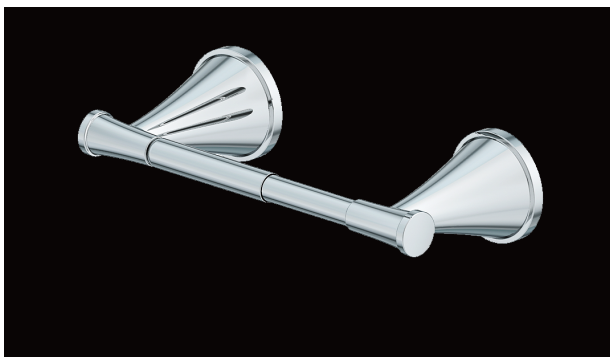


Parts Breakdown

TISSUE HOLDER BATH ACCESSORIES

PF2831



PF2831CP

Model Numbers

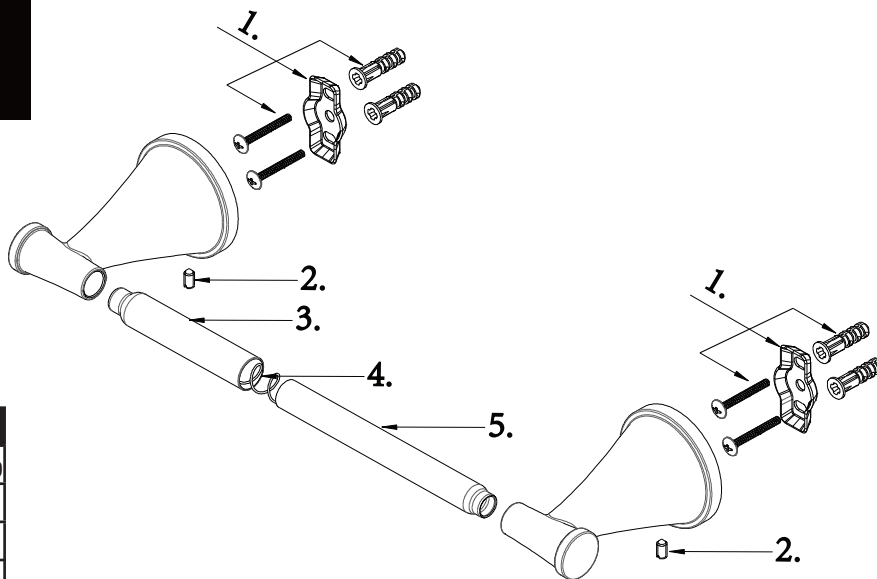
PF2831CP chrome

PF2831BN brushed nickel

PF2831ORB oil rubbed bronze

* Specify Finish

No.	Item	Part Number
1	Holding Hardware	4.11.287.0100
2	Set Screw	363-20-02
3	Outer Tissue Holder	20074-04-02
4	Spring	309-04-04
5	Inner Tissue Holder	20074-04-03



Warranty and Codes

This product comes complete with installation, operating, care and maintenance instructions. This PROFLO product carries a 1 year warranty. This product meets ANSI:A112.18.1M .